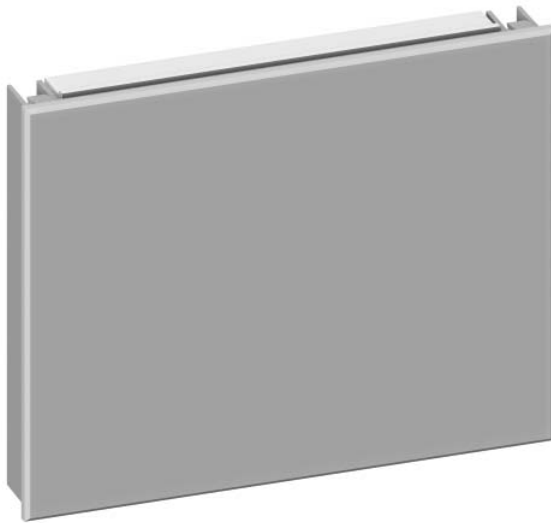


### 3-Wire Fluorescent Power Module



**Description**

- Provides capability for a zone on a *GRAFIK Eye* control unit (or other product) to dim fluorescent lights that have Lutron Hi-Lume® and Eco-10® (Eco Series) line-voltage control electronic dimming ballasts.
- Uses Softswitch® arcless switching technology.
- Up to 3 power modules may be wired on a single *GRAFIK Eye* zone.
- Models available for 120 V~ control power.
- Models available for 120 V~ or 120 - 277 V~ load power.

**Works with:**

- *GRAFIK Eye* QS control units
- *GRAFIK Eye* 3000 Series control units
- LP and LCP dimming panels
- HomeWorks® remote power panels

**Models and Capacities**

Control Power	Load Power	Capacity	Model Number
120 V~	120 - 277 V~	16 A	PHPM-3F-DV-WH
120 V~	120 V~	16 A	PHPM-3F-120-WH

<b>Job Name:</b>	<b>Model Numbers:</b>
<b>Job Number:</b>	

## Specifications

### Power

- Control / load power:  
120 V $\sim$  / 120 V $\sim$   
120 V $\sim$  / 120-277 V $\sim$   
50/60 Hz, phase-to-neutral.
- Load (output) power: Phase independent of control unit.

### Sources/Load Types

- Operates Lutron Hi-Lume® and Eco-10® (Eco Series) line-voltage control electronic dimming ballasts with a smooth continuous Square Law dimming curve.

### Key Design Features

- Patented RTISS™ circuitry compensates in real time for incoming line voltage variations: Compensates for +/-2% change in RMS voltage/cycle and +/-2% Hz change in frequency/second.
- Provides air-gap off.
- Module protects itself during temporary over-current conditions on dimmed output.
- Two LEDs on front of unit provide diagnostic information (visible when faceplate is removed).

### Terminals

Accept up to two #12 AWG (2.5 mm<sup>2</sup>).

### Environment

- 32-104 °F (0-40 °C). Relative humidity less than 90% non-condensing.
- Maximum BTU/hour of module: 15

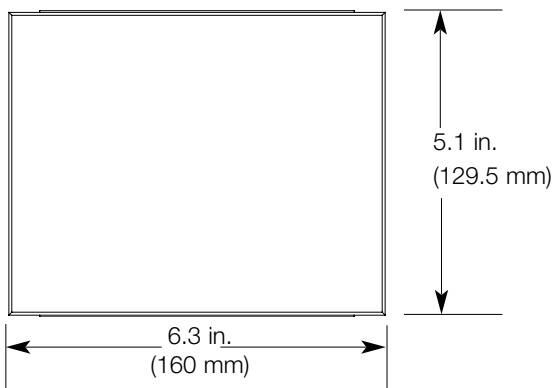
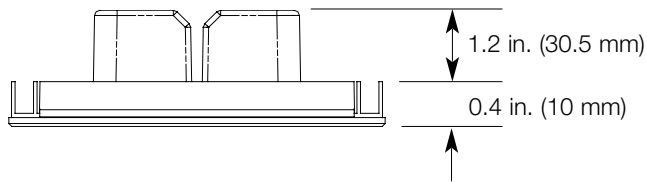
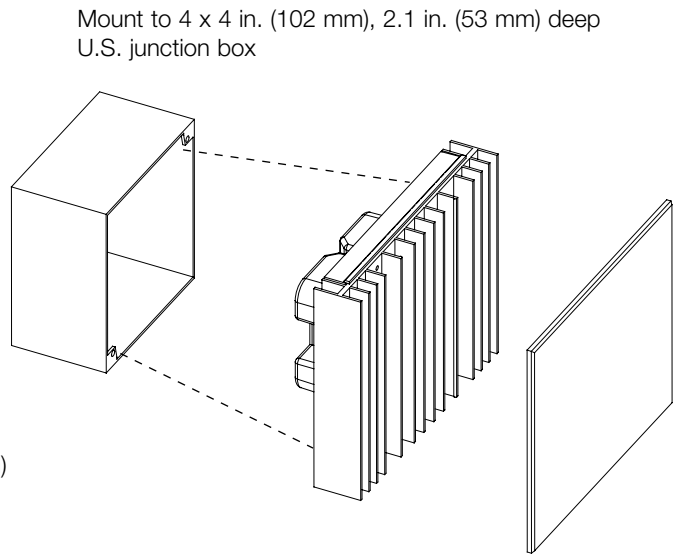
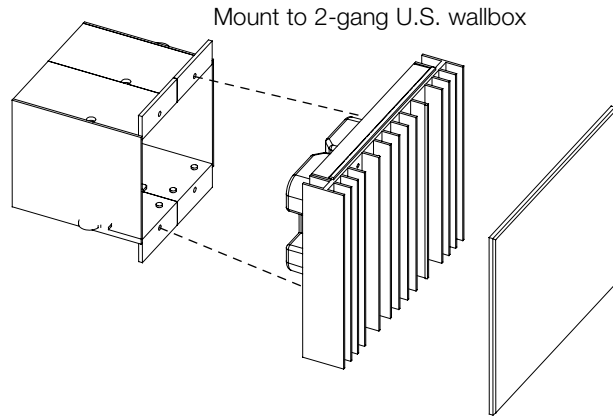
### Mounting

- Surface or recess mount indoors only.
- Power module is UL tested and approved for use in air plenums.

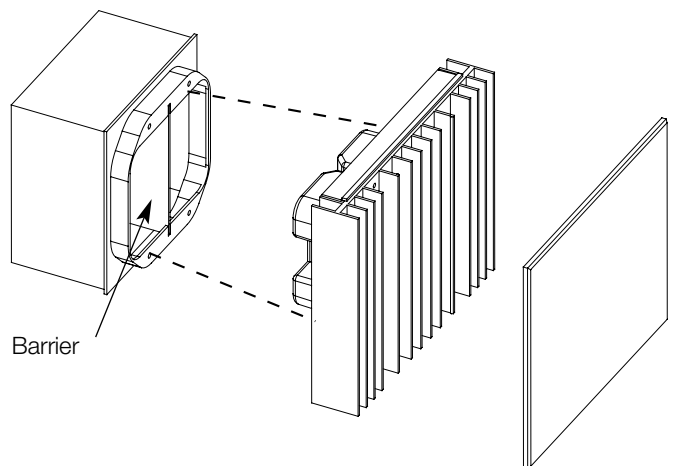
Job Name:	Model Numbers:
Job Number:	

### Dimensions and Mounting

- Mount in 2-gang U.S. wallbox 3.5 in. (89 mm) deep or 4 x 4 in. (102 mm) junction box 2.1 in. deep (53 mm). Indoors only.
- This device generates heat; mount only where ambient temperature is 32-104 °F (0-40 °C).
- Mount with arrows facing up to ensure adequate cooling.
- Allow 4.5 in. (114 mm) above and below unit and between faceplates when mounting several in a vertical layout.
- Mount so line (mains) voltage wiring is at least 6 ft. (1.8 m) from sound or electronic equipment and wiring.
- Mount within 7° of true vertical.



Mount to 4 x 4 in. (102 mm), 2.1 in. (53 mm) deep U.S. junction box with barrier (for 277 V~ model if required by local electrical code)



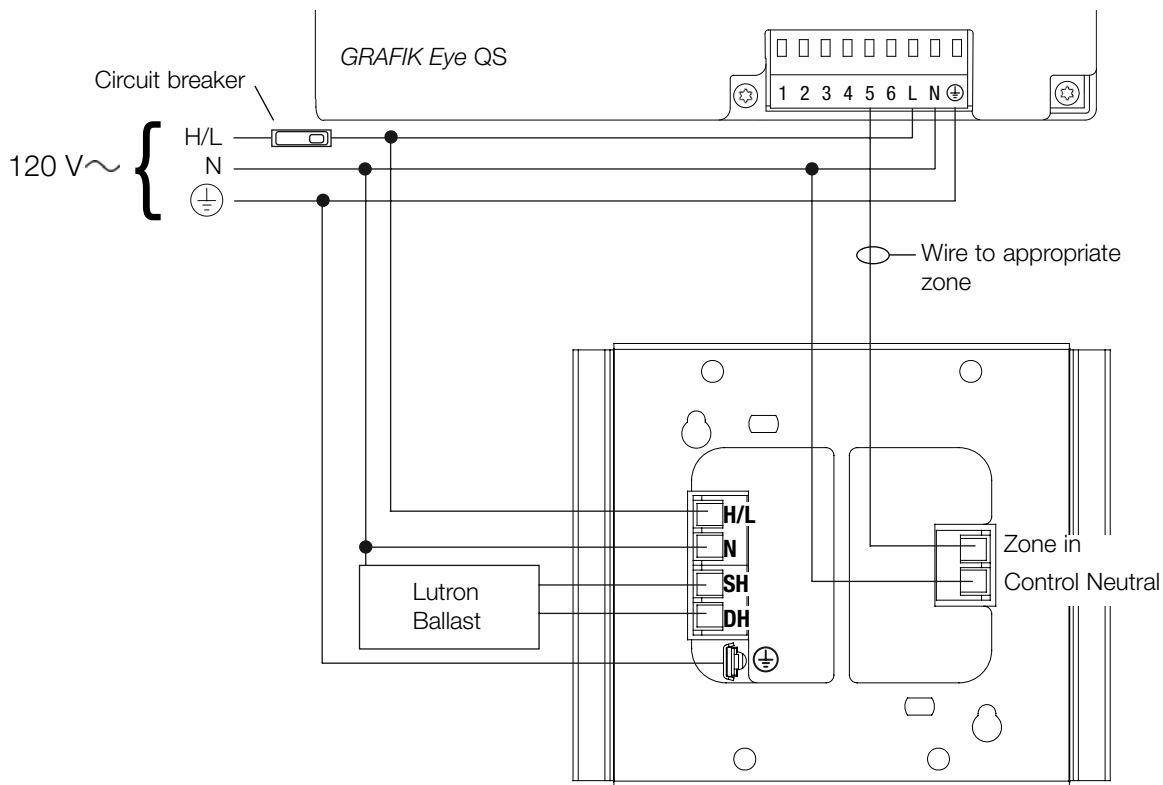
Job Name:	Model Numbers:
Job Number:	

## Wiring

- Pull #12 AWG (2.5 mm<sup>2</sup>) Copper (Cu) wires (75 °C minimum) for input power and load circuit.
- Strip 1/2 in. (12 mm) insulation from wires before connecting.
- Run separate neutral for load circuit - no common neutrals.
- May be used with GFI breaker protected loads. Load circuit wiring (from GFI breaker to power module to load) must be run in its own non-metallic conduit, or nuisance tripping may occur. Maximum 100 ft. (30.5 m) between power module and load.
- May be used with AFI breaker protected loads. Maximum load on AFI circuit is 1000 W. Exceeding 1000 W may cause nuisance tripping of AFI breaker.

### Single Power Feed

**Note:** The power module may be on the same circuit as the control unit only if the total load does not exceed the rating of the breaker.



#### Legend

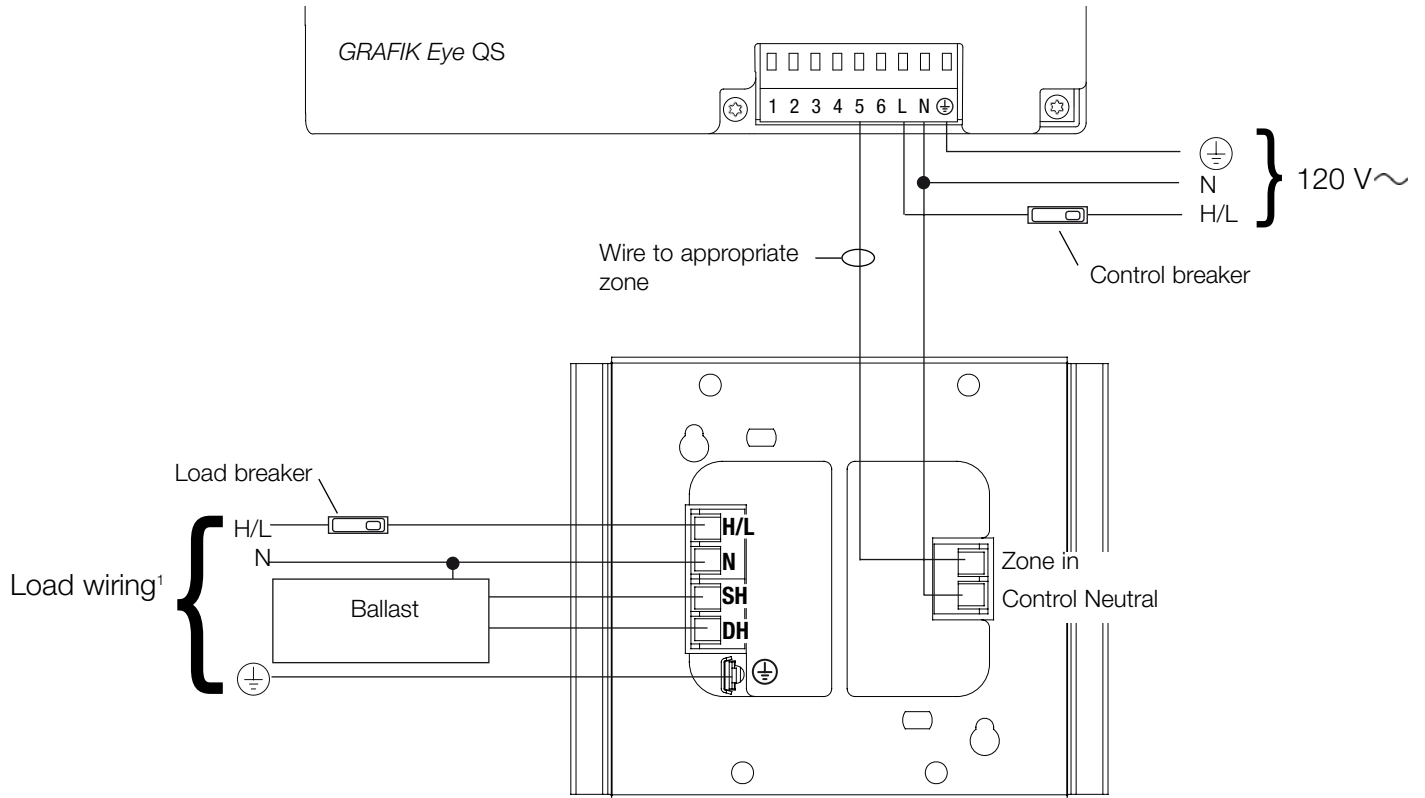
- H/L Hot/Live
- N Neutral
- SH Switched Hot
- DH Dimmed Hot
- ⊕ Ground
- ⊘ Not Used

<b>Job Name:</b>	<b>Model Numbers:</b>
<b>Job Number:</b>	

# Wiring

## Multiple Power Feeds

The load breaker may be on a different phase than the control breaker.



### Legend

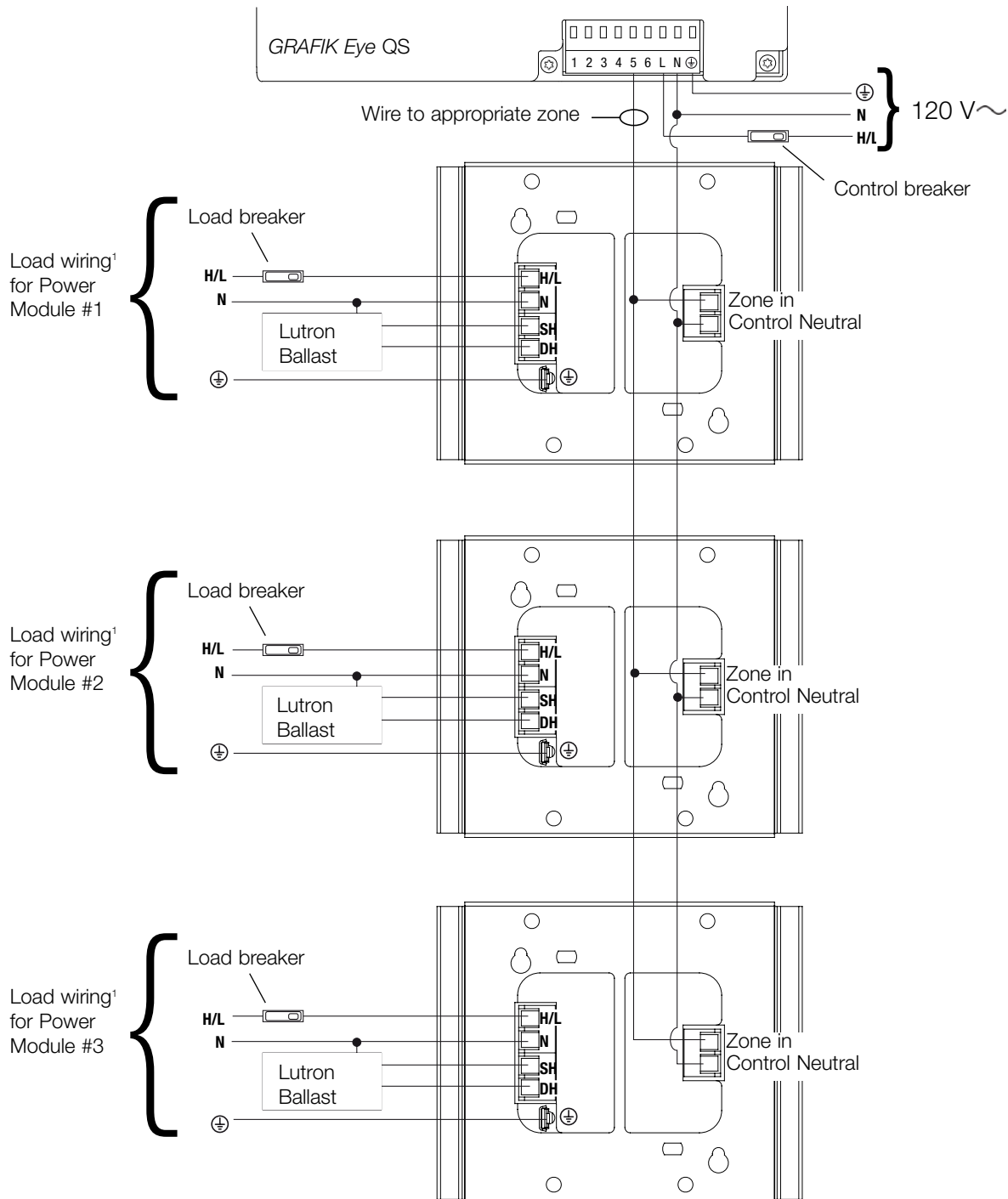
- H/L Hot/Live
- N Neutral
- SH Switched Hot
- DH Dimmed Hot
- ⊕ Ground
- ⊘ Not Used

<sup>1</sup>Load feed: 120 V~ for PHPM-3F-120-WH; 120 or 277 V~ for PHPM-3F-DV-WH

<b>Job Name:</b>	<b>Model Numbers:</b>
<b>Job Number:</b>	

## Wiring Multiple Power Modules to a Single GRAFIK Eye® Zone

Shown with separate feeds for control and loads. All breakers must be turned off prior to installing or servicing the modules. Up to 3 power modules may be wired to a single zone.

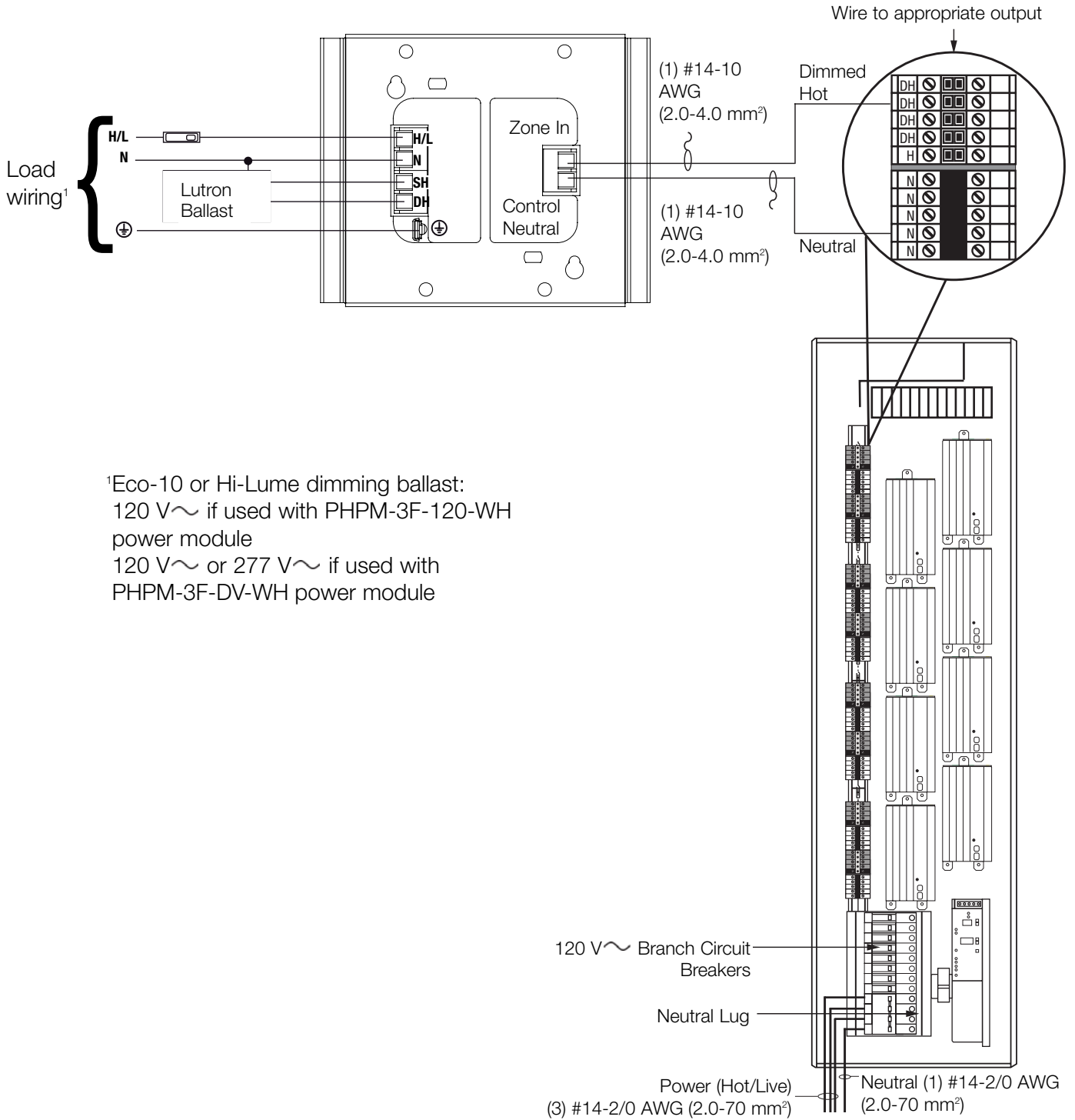


<sup>1</sup>Load feed: 120 V~ for PPHM-3F-120-WH; 120 or 277 V~ for PPHM-3F-DV-WH

Job Name:	Model Numbers:
Job Number:	

### Wiring a Power Module to an LP or LCP Panel

Up to three 3-wire fluorescent power modules may be wired to an output of a 120 V~ LP or LCP panel. The load type for the output must be set as Eco-10® or Hi-Lume® fluorescent load type on the panel's circuit selector (for an LP panel) or controller (for an LCP panel).



<sup>1</sup>Eco-10 or Hi-Lume dimming ballast:  
 120 V~ if used with PHPM-3F-120-WH power module  
 120 V~ or 277 V~ if used with PHPM-3F-DV-WH power module

Job Name:	Model Numbers:
Job Number:	