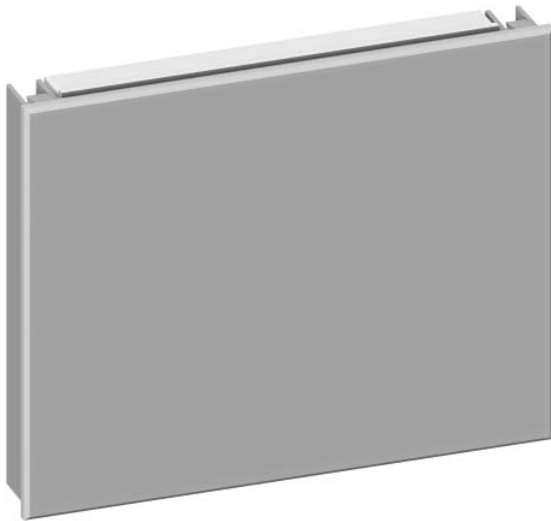


## Switching Power Module



### Description

- Provides capability for a zone on a *GRAFIK Eye* control unit (or other product) to switch a fully loaded circuit of lighting.
- May be used to switch incandescent, electronic low-voltage, magnetic low-voltage, HID, fluorescent ballasts, and neon/cold cathode lighting sources.
- Utilizes Softswitch® arcless switching technology.
- Provides power and switching for one zone.
- Up to 3 power modules may be wired on a single *GRAFIK Eye* zone.
- Model available for 120 V~ control power.
- Model available for 120 - 277 V~ load power.

### Works with:

- *GRAFIK Eye* QS control units
- *GRAFIK Eye* 3000 Series control units
- LP and LCP dimming panels
- HomeWorks® remote power panels

### Model and Capacities

Control Power	Load Power	Capacity	Model Number
120 V~	120 - 277 V~	16A	PHPM-SW-DV-WH

<b>Job Name:</b>	<b>Model Numbers:</b>
<b>Job Number:</b>	

## Specifications

### Power

- Control / load power:  
120 V $\sim$  / 120 - 277 V $\sim$   
50 / 60 Hz, phase-to-neutral.
- Load (output) power: Phase independent of control unit.

### Sources/Load Types

- Switches the following load types:
  - Incandescent (tungsten)
  - Halogen
  - Magnetic low-voltage transformer (iron core)
  - Electronic (solid-state) low-voltage transformer.
  - Magnetic and electronic fluorescent dimming ballasts
  - Neon/cold-cathode
  - HID
- Motors:
  - 1/2 HP at 277 V $\sim$
  - 1/3 HP at 120 V $\sim$
- May be used with GFI/AFI breaker protected loads.

### Key Design Features

- Patented Softswitch® technology.
- Two LEDs on front of unit provide diagnostic information (visible when faceplate is removed).

### Terminals

Accept up to two #12 AWG (2.5 mm<sup>2</sup>).

### Environment

- 32 - 104 °F (0 - 40 °C). Relative humidity less than 90% non-condensing.
- Maximum BTU/hour of module: 15

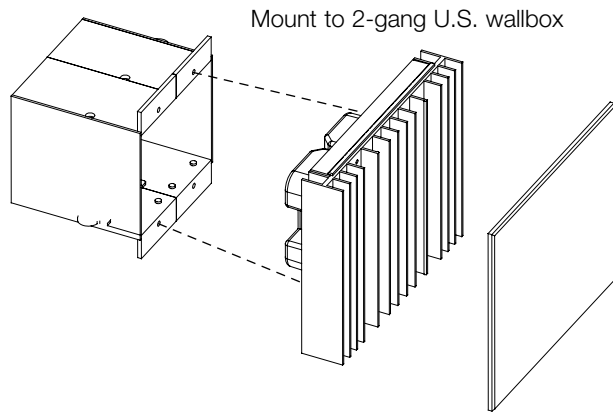
### Mounting

- Surface or recess mount indoors only.
- Power module is UL tested and approved for use in air plenums.

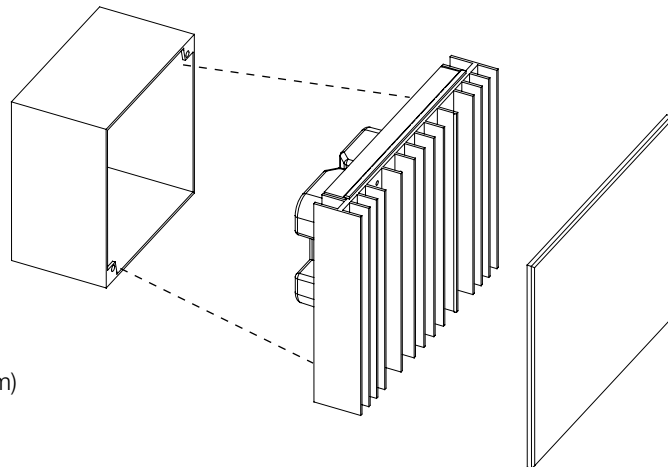
<b>Job Name:</b>	<b>Model Numbers:</b>
<b>Job Number:</b>	

### Dimensions and Mounting

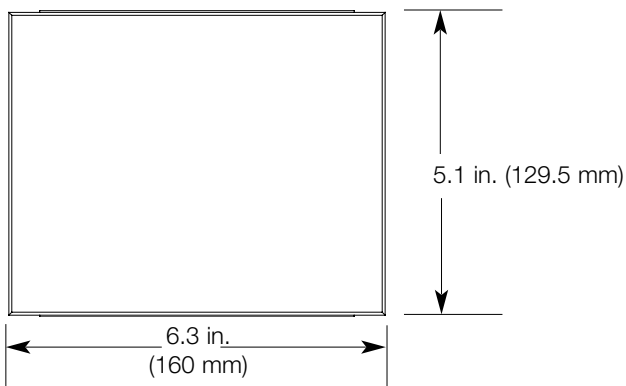
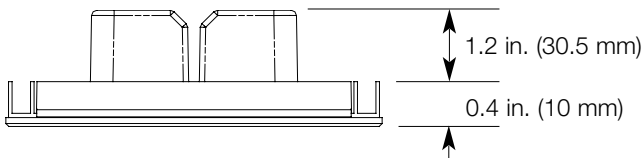
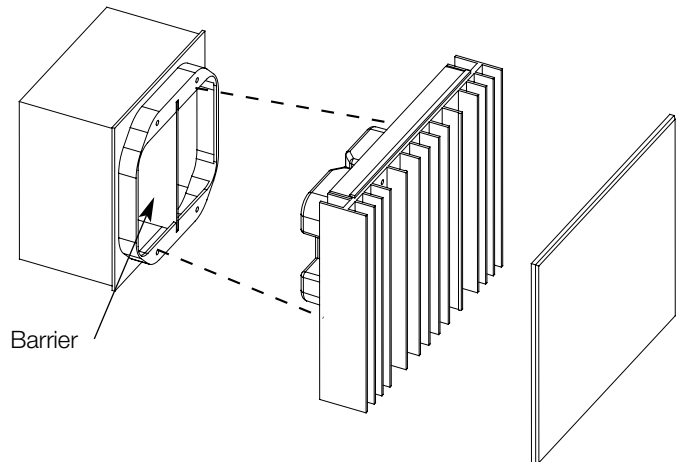
- Mount in 2-gang U.S. wallbox 3.5 in. (89 mm) deep or 4 x 4 in. (102 mm) junction box 2.1 in. deep (53 mm). Indoors only.
- Mount only where ambient temperature is 32-104 °F (0-40 °C).
- Allow 4.5 in. (114 mm) above and below unit and between faceplates when mounting several in a vertical layout.
- Mount so line (mains) voltage wiring is at least 6 ft. (1.8 m) from sound or electronic equipment and wiring.
- Mount within 7° of true vertical.



Mount to 4 x 4 in. (102 mm), 2.1 in. (53 mm) deep U.S. junction box



Mount to 4 x 4 in. (102 mm), 2.1 in. (53 mm) deep U.S. junction box with barrier (for 277 V~ loads if required by local electrical code)



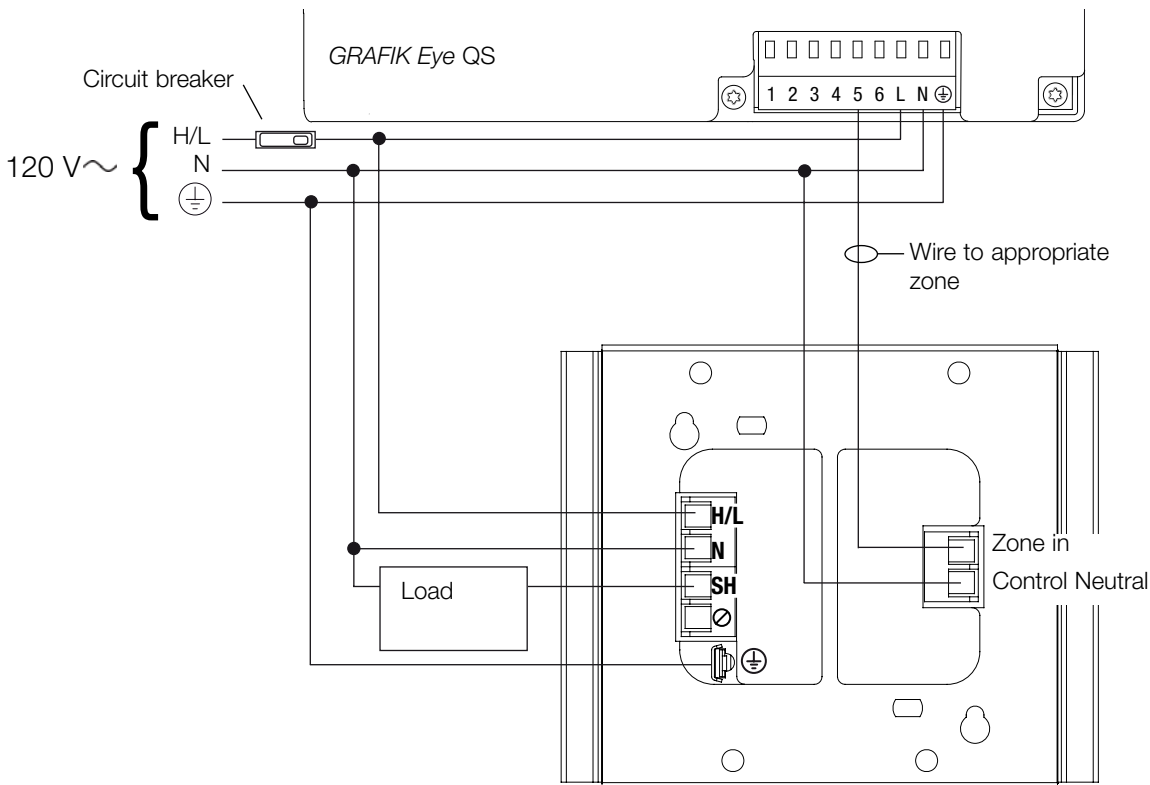
<p><b>Job Name:</b></p>	<p><b>Model Numbers:</b></p>
<p><b>Job Number:</b></p>	

## Wiring

- Pull #12 AWG (2.5 mm<sup>2</sup>) copper (Cu) wires (75 °C minimum) for input power and load circuit.
- Strip 1/2 in. (12 mm) insulation from wires before connecting.
- Run separate neutral for load circuit - no common neutrals.

### Single Power Feed

**Note:** The power modules may be on the same circuit as the control unit only if the total load does not exceed the rating of the breaker.



### Legend

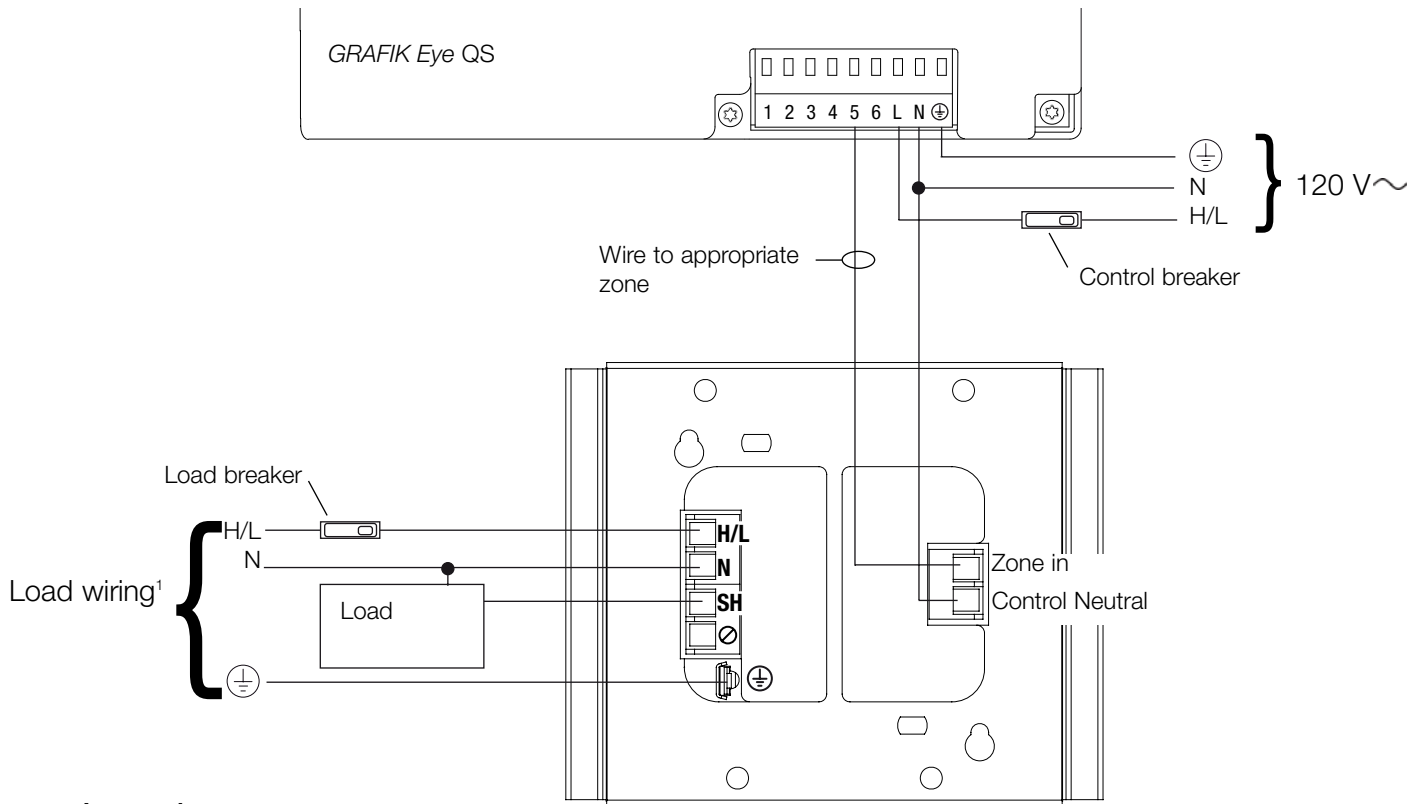
- H/L Hot/Live
- N Neutral
- SH Switched Hot
- DH Dimmed Hot
- ⊕ Ground
- ⊘ Not Used

<b>Job Name:</b>	<b>Model Numbers:</b>
<b>Job Number:</b>	

# Wiring

## Multiple Power Feeds

The load breaker may be on a different phase than the control breaker.



### Legend

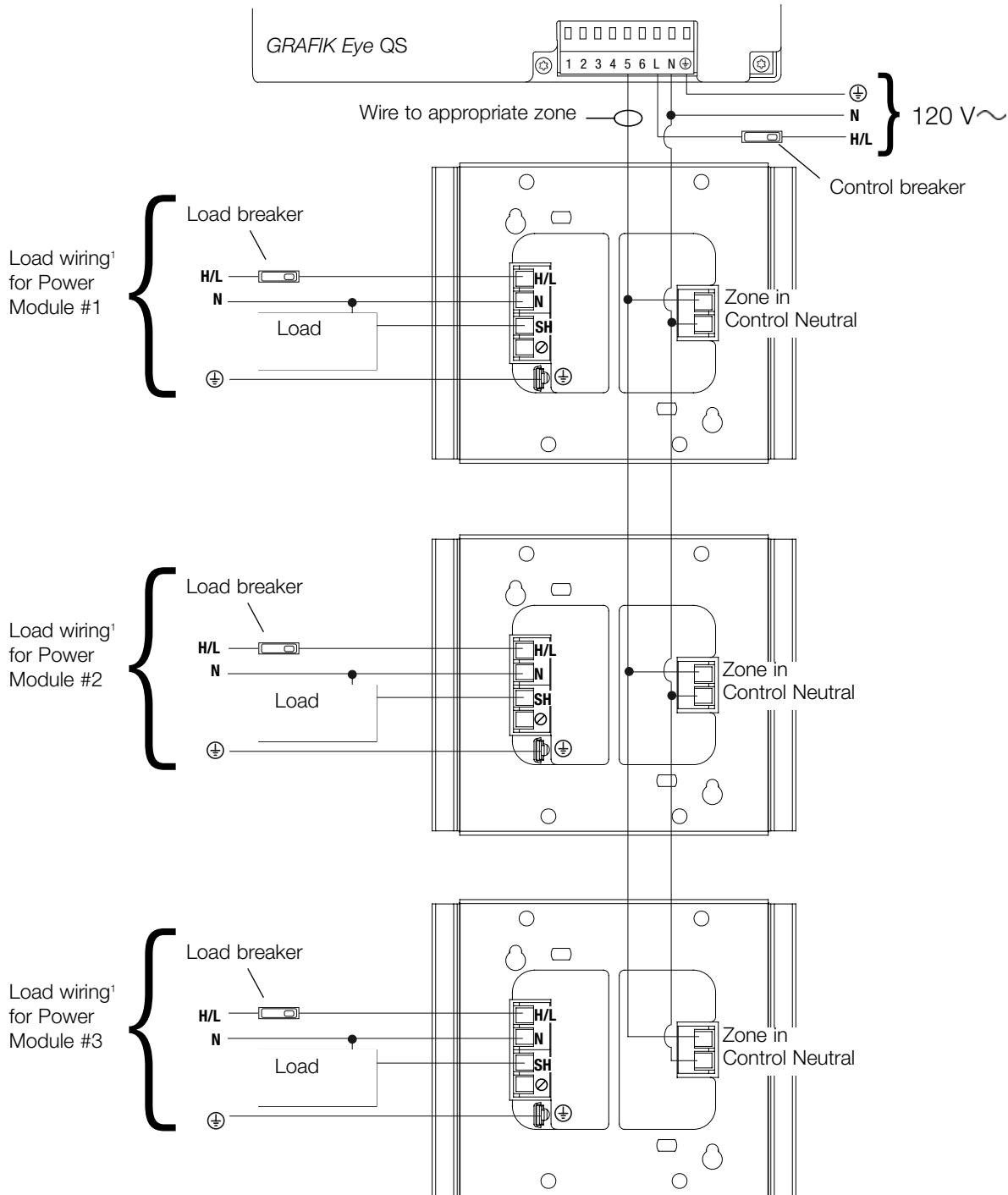
- H/L Hot/Live
- N Neutral
- SH Switched Hot
- DH Dimmed Hot
- ⊕ Ground
- ⊘ Not Used

<sup>1</sup>Load feed: 120 V~ for PHPM-3F-120-WH; 120 or 277 V~ for PHPM-3F-DV-WH

<b>Job Name:</b>	<b>Model Numbers:</b>
<b>Job Number:</b>	

## Wiring Multiple Power Modules to a Single GRAFIK Eye® Zone

Shown with separate feeds for control and loads. All breakers must be turned off prior to installing or servicing the modules. Up to 3 power modules may be wired to a single zone.

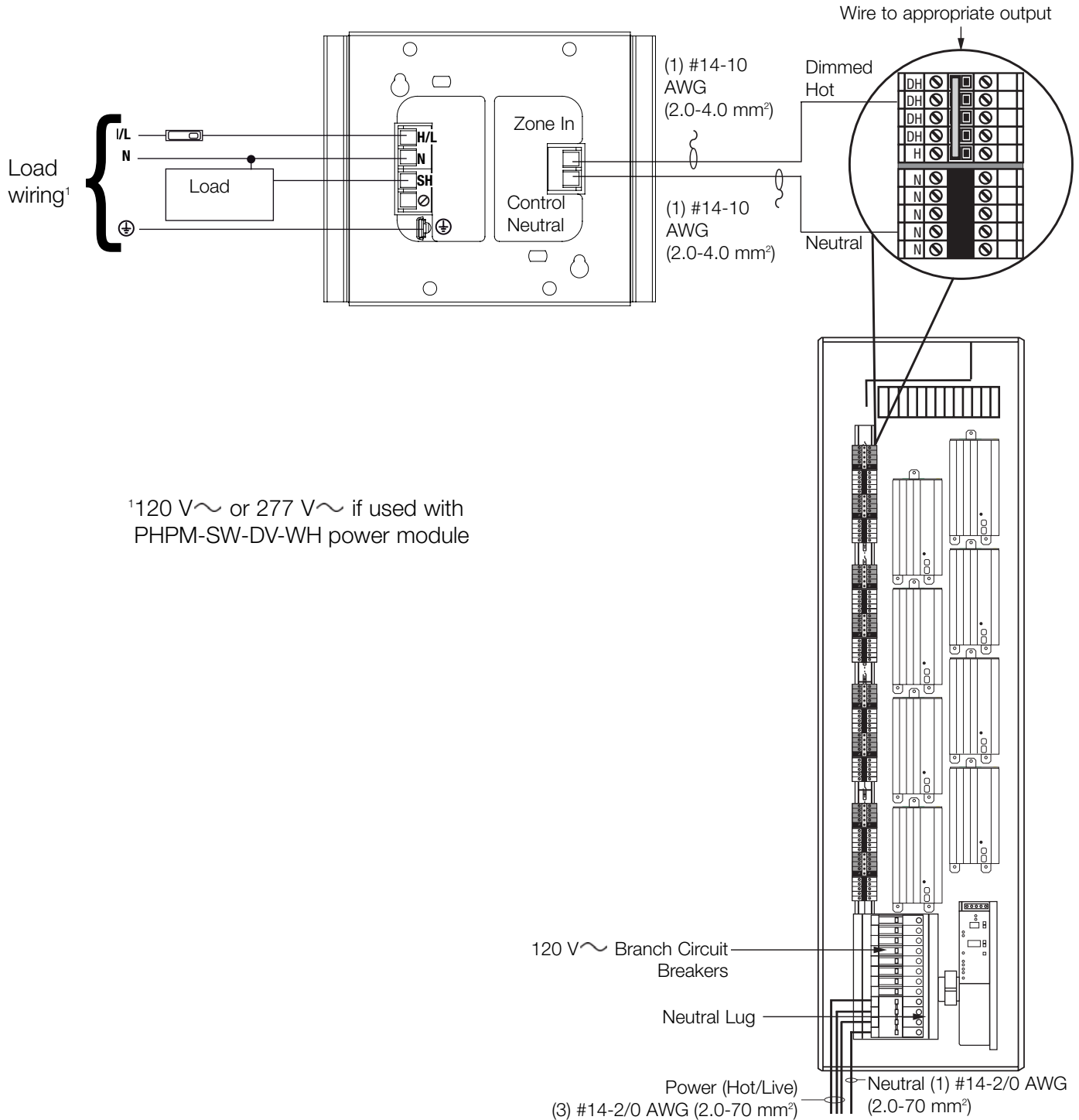


<sup>1</sup>Load feed: 120 V~ or 277 V~ for PHPM-SW-DV-WH

<p><b>Job Name:</b></p>	<p><b>Model Numbers:</b></p>
<p><b>Job Number:</b></p>	

## Wiring a Power Module to an LP or LCP Panel

Up to three switching power modules may be wired to an output of a 120 V~ LP or LCP panel. The load type for the output must be set as non-dim load type on the panel's circuit selector (for an LP panel) or controller (for an LCP panel).



<sup>1</sup>120 V~ or 277 V~ if used with PHPM-SW-DV-WH power module

<b>Job Name:</b>	<b>Model Numbers:</b>
<b>Job Number:</b>	