

Sivoia QED™ (quiet electronic drive)

Architectural shading solutions

Roller shades

roller 64™ **NEW**

roller 100™

roller 225™

Roman shades

Drapery track systems





Innovations in natural light control

Lutron has been the world's leading manufacturer of lighting control systems for over 40 years. Now, Lutron has opened up a new world of possibilities by seamlessly integrating electric and natural light control systems with a focus on innovation, world-class engineering, and customer service. We blend technology with design and environmental sensitivity to provide the ideal solution for any specification. This catalog covers the wide range of shading and drapery products in our Sivoia QED™ (quiet electronic drive) family. In addition, Lutron also provides both manual and large AC shading systems (see www.lutron.com).

Quality and Performance

The Sivoia QED family of shading and drapery systems

- offer touch-of-a-button convenience
- provide near-silent performance
- operate smoothly and in perfect alignment
- reduce glare and protect furnishings from U/V damage
- are easily installed in new or existing spaces
- are custom manufactured

Table of contents

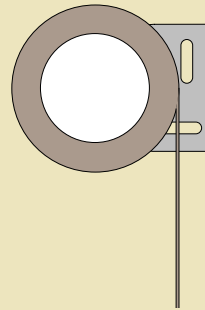
Sivoia QED™ roller shades	02
roller shades specification considerations	03
roller 64 specification features	04
roller 64 finishing hardware	05
roller 100 specification features	06
roller 100 brackets and fascia	08
roller 225 brackets and features	10
Roman shades	11
Drapery track system	11
Drapery system specification	12
Drapery system installation	13
Providing power	14
Keypads aesthetic style	15
Keypads specification	16
Keypads colors and finishes	17
Infrared remotes	18
Fabrics specification support	19
SheerShade™ fabrics	20
Privacy fabrics	23
Blackout fabrics	25
Hardware colors and finishes	26
Integration residential	27
Integration commercial	28
Sivoia QED specification overview	29

For more in-depth technical information, please visit www.lutron.com/shadingsolutions and/or consult the Sivoia QED Technical Reference Guide (P/N 367-592, .PDF available online).



Engineered for elegant, precise performance

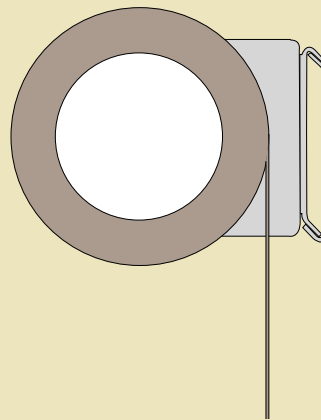
- electronic drive unit located within roller tube
- near-silent performance (44dbA at three feet)
- built-in intelligence allows for flexible control of groups of shades without special wiring or external group controllers
- multiple shades move precisely and evenly to programmable stop points where hembar alignment is maintained to within 1/8"
- minimal, symmetrical light gaps (3/4") between edge of fabric and window frame for optimum light control
- elegant keypads with back-lit, engraved buttons available in a wide variety of colors and finishes (see p. 16)



Roller 64™

The newest and smallest Sivoia QED electronic drive.
Tube Size: 1 5/8" diameter
Pocket size: 3 1/2" x 3 1/2"
Typical window size: 4' x 8'
 (maximum: 64 square feet)

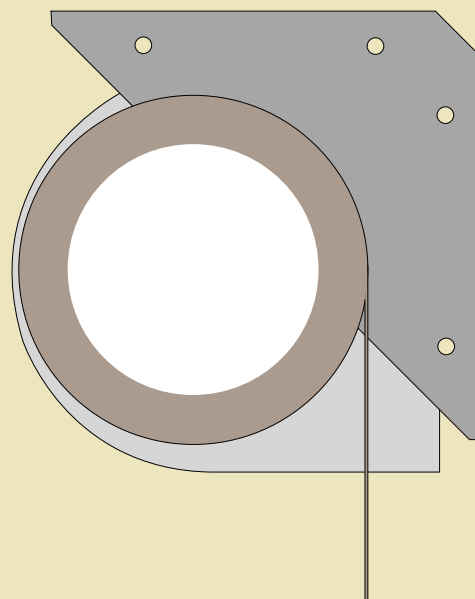
Page 4



Roller 100™

A larger system that still offers all the same quiet operation, intelligence, and precision.
Tube size: 2 1/2"
Pocket size: 4 3/4" x 5"
Typical window size: 8' x 10'
 (maximum: 100 square feet)

Page 6



Roller 225™

A more robust system for much larger applications such as atriums or multi-story windows.
Tube size: 3 3/4"
Pocket size: 7" x 7"
Typical window size: 12' x 18'
 (maximum: 225 square feet)

Page 10

Roller shades | specification considerations

To specify Sivoia QED™ systems, consider the following options and product features.

Roller shade drive systems

- All Sivoia QED drives provide built-in infrared reception capability
- No external group controllers are required
- All Sivoia QED drives feature Intelligent Hembar Alignment™, which allows all Sivoia QED shade systems to move at the same speed and stop in alignment, even though they use different size roller tubes

Fabrics

- Lutron offers a variety of fabrics to suit any application requirements and décor
- Select from a wide range of PVC-free fabrics, ideal for projects being designed with "green" criteria or seeking LEED™ certification

Page 20



Providing power

- Individual Sivoia QED shades can be powered using plug-in transformers or groups of shades can be powered by, and communicate with each other via, Lutron power panels

Page 14

Control options

- Sivoia QED can be controlled by elegant seeTouch™ keypads, hand-held remotes or by Lutron lighting control systems for seamless control of all the light in the space

Page 15

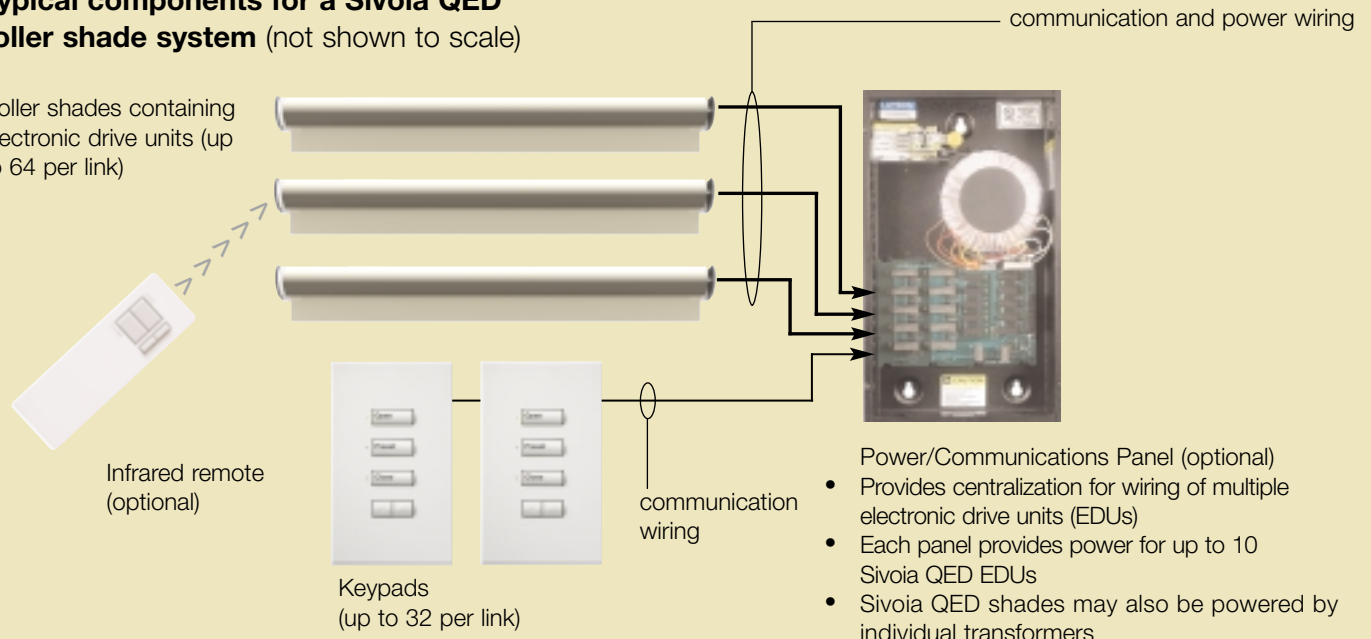
Lineals

- Lutron provides pockets, fascia, side-channels and sill angles to provide blackout conditions when needed
- lineals available in a range of colors

Page 7

Typical components for a Sivoia QED roller shade system (not shown to scale)

Roller shades containing electronic drive units (up to 64 per link)



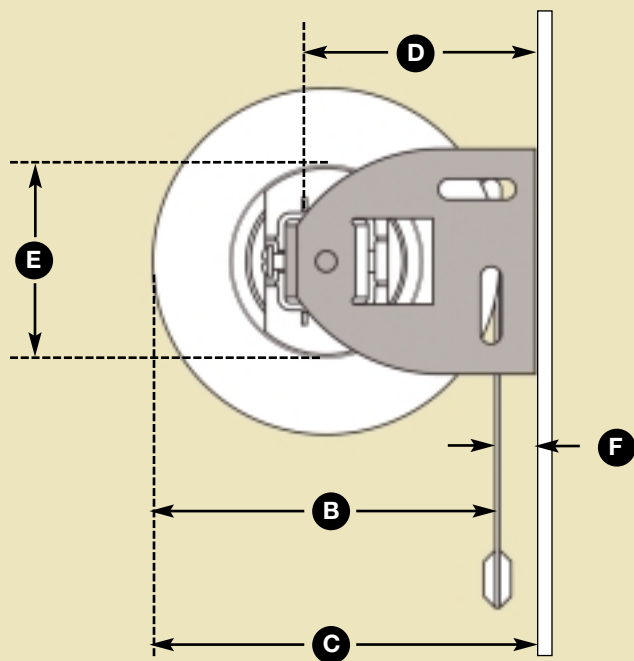
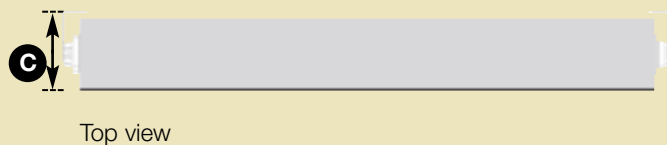
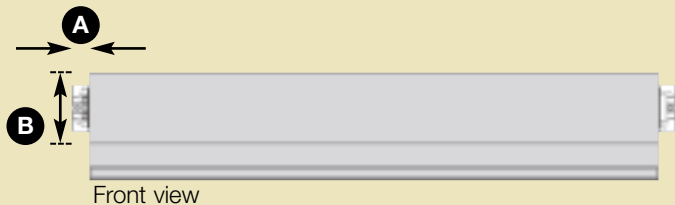
Note: CCI (Contact Closure Input) panels are available to connect to outside systems such as BMS (Building Management Systems) or touchscreen systems.

roller 64 | specification

System dimensions | roller 64



The roller 64 system utilizes a 1 5/8" roller tube to operate up to 64 square feet of fabric.

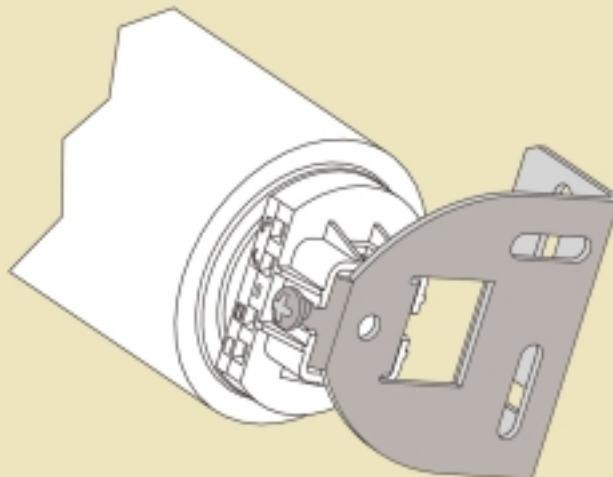


Dimensions

- A** .75" (1.90cm)
- B** 3.3" (8.38cm) maximum
- C** 3.33" (8.45cm) maximum
- D** 2.175" (5.52 cm)
- E** 1.625" (4.13cm)
- F** .03" (.076cm)

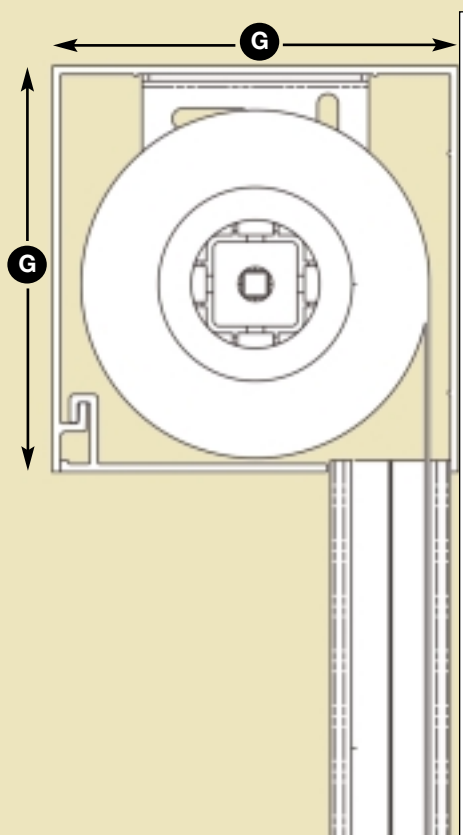
Universal bracket design

- one-piece bracket for simple installation
- same bracket for left and right side of roller tube
- one bracket for ceiling, wall and jamb mount
- roller tube installs with simple, spring-loaded design



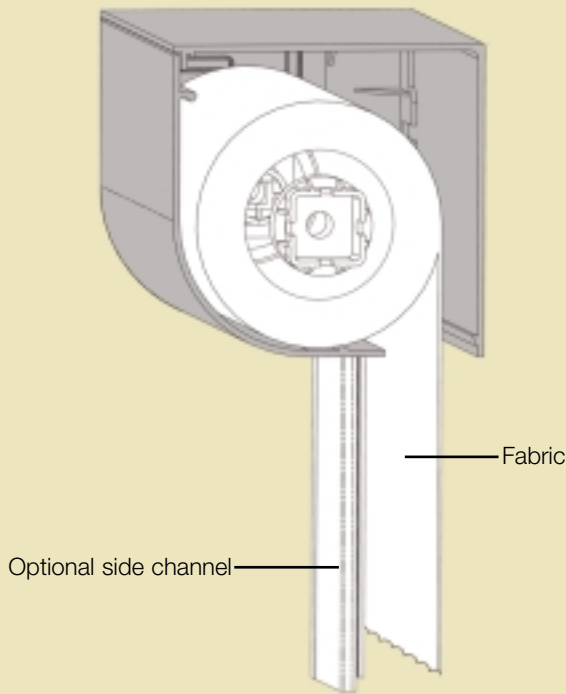
Pocket dimensions

Sivoia QED roller 64 will never require more than 3 1/2" height x 3 1/2" depth for installation.

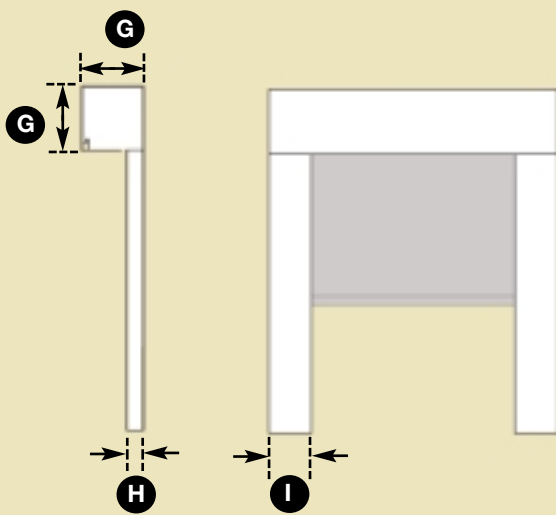


Curved fascia

Sivoia QED roller 64 can be installed with a top back cover and curved fascia for a clean, minimal look. Squared off fascia is also available.



Blackout configuration | roller 64

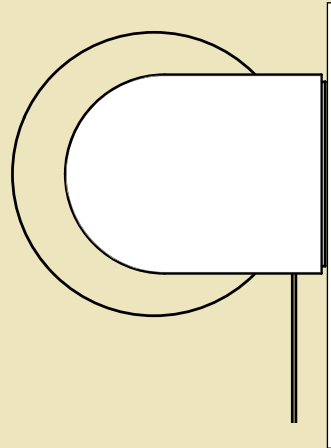


Dimensions

- G** 3.5" (8.89cm)
- H** 1.0" (2.54cm)
- I** 2.5" (6.35cm)

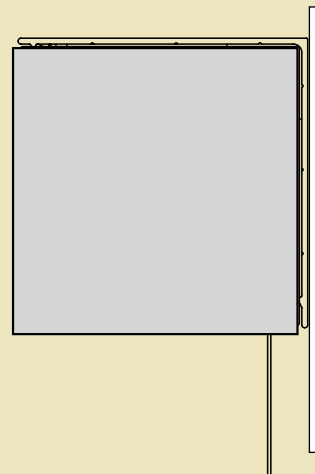
Roller tube end cap

Provide a clean look for a system installed without fascia or pocket. Available in white only.



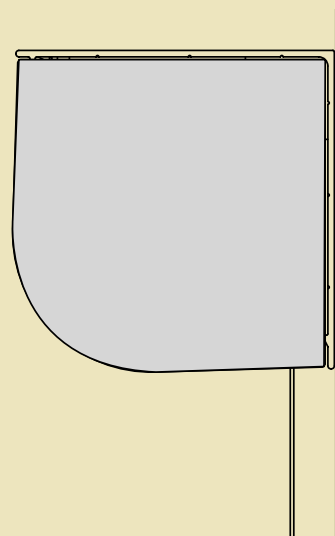
Pocket end cap

Finish the look of the Sivoia QED roller 64 standard pocket. See page 26 for color options.



Curved fascia end cap

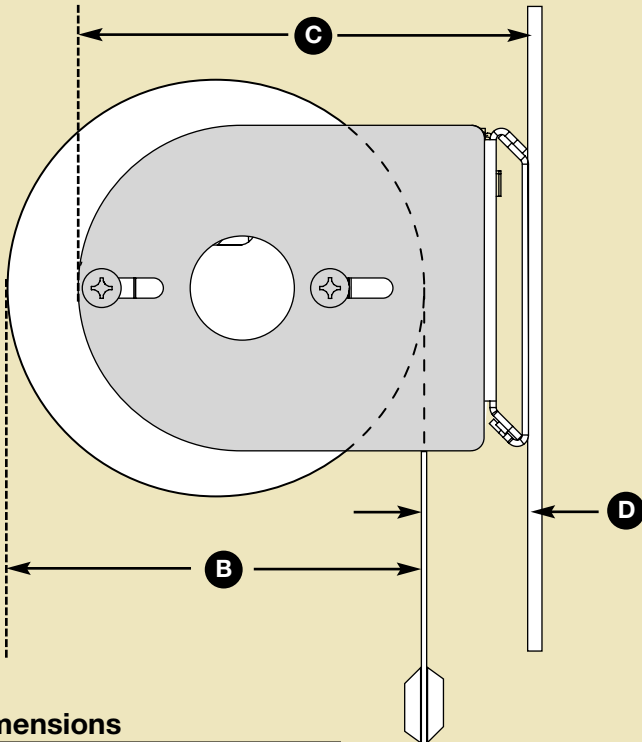
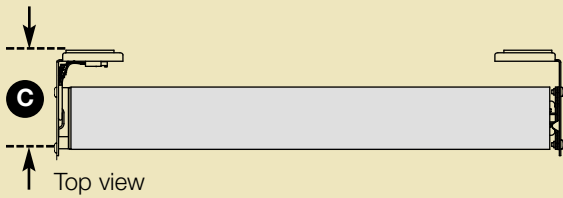
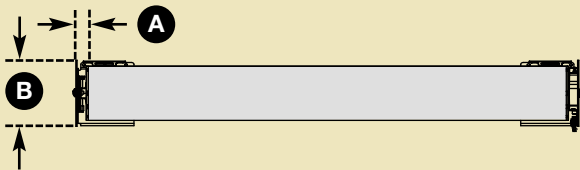
A sleek, unobtrusive look for Sivoia QED roller 64. See page 26 for color options.



System dimensions | roller 100



The Roller 100 system utilizes a 2.5" roller tube to operate up to 100 square feet of fabric.

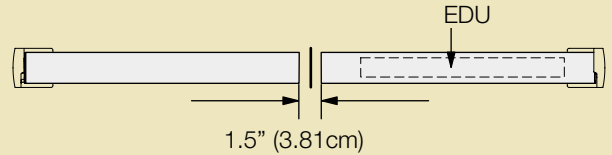


Dimensions

- A** 0.625" (15.8mm) minimum, 0.75" (19.1) cm typical
- B** 4.00" (10.6cm)
- C** 4.30" (10.92cm)
- D** 1.00" (2.54cm)

Coupled roller system | roller 100

Up to three Sivoia QED shade panels can be coupled, meaning they all are powered by a single electronic drive unit (EDU).

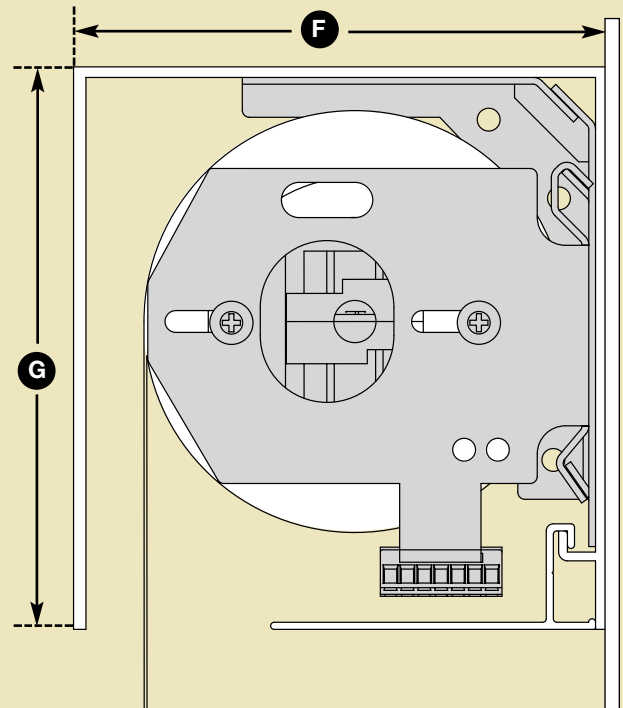


A coupled system:

- offers 1.50" minimum light gap between panels
- can be assembled with any bracket configuration (see page 8)
- offers phase adjustment, which allows the hembars to be aligned after installation
- allows precise hembar alignment (within 1/8")

Pocket installation

Pockets and fascia are available for Sivoia QED roller 100 and roller 64 systems.

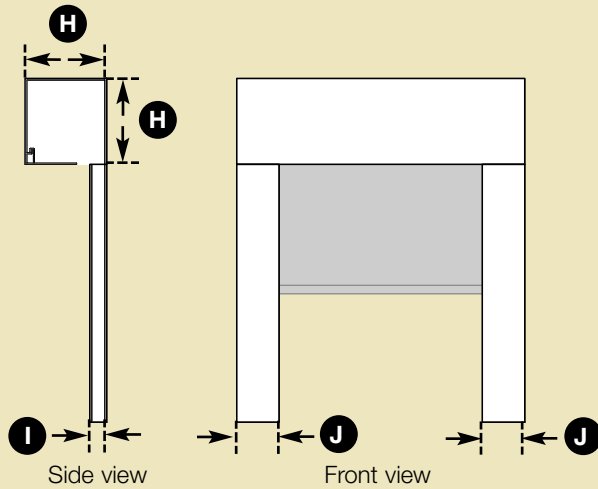


Dimensions

- F** 4.75" (12.06cm)
- G** 5.0" (12.70cm)

Blackout configuration | roller 100™

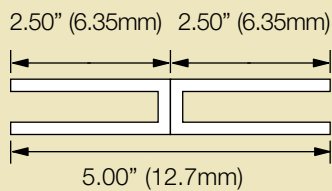
Lutron offers side channels in a width of 2.50" to facilitate blackout conditions.



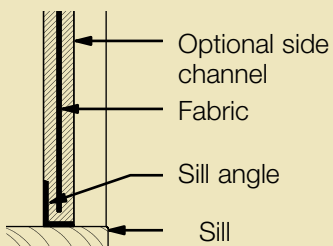
Dimensions

- H** 5.00" (12.7cm)
- I** 1.00" (2.54cm)
- J** 2.50" (6.35cm)

Pocket dimensions shown including side channels.



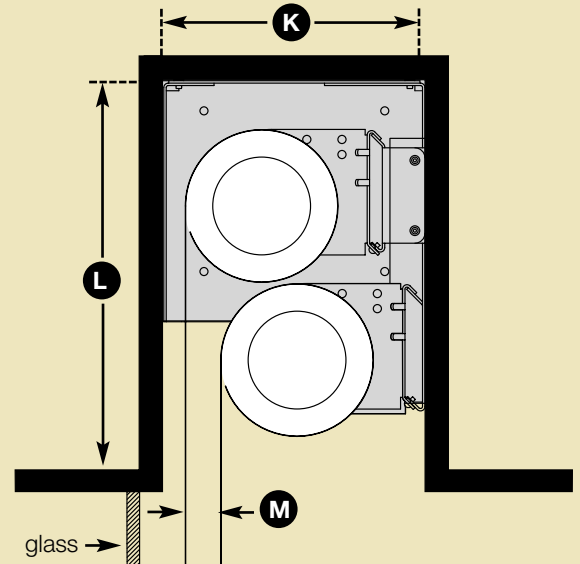
Install side channels back-to-back at wide center mullions.



The sill angle completes the blackout by stopping light leaks below the shade.

Dual-mount bracket | roller 100

A common roller shade application is the use of two fabrics on one window, typically a sheer and a blackout. Fabric unrolls closest to glass.

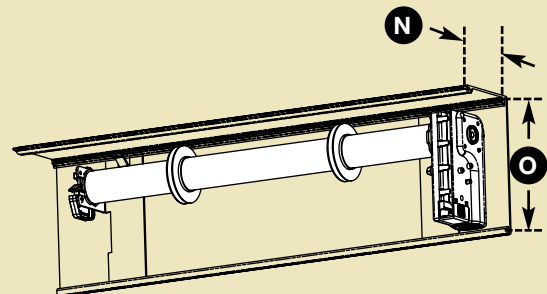


Dimensions

- K** 7.00" (17.78cm)
- L** 11.00" (27.94cm)
- M** 1.00" (2.54cm)

Roman shade installation

Sivoia QED Roman shades utilize an external Electronic Drive Unit (EDU).



Dimensions

- N** 7.00" (17.78cm)
- O** 11.00" (27.94cm)

Bracket design benefits | roller 100

Sivoia QED roller 100 brackets employ a two-piece design to maximize ease and flexibility of installation.

Proprietary bracket designs for various applications include:

- wall mount (outside the window frame)
- jamb mount (inside the window frame)
- ceiling mount (inside the window frame or in a pocket)

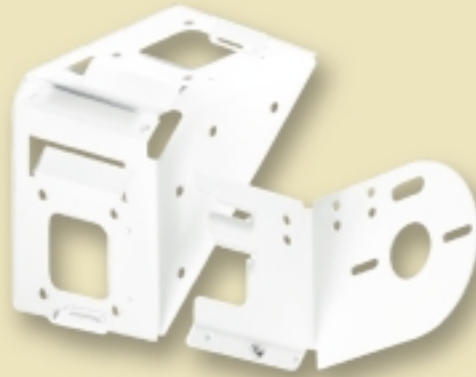
Wall mount | roller 100



Ceiling mount | roller 100



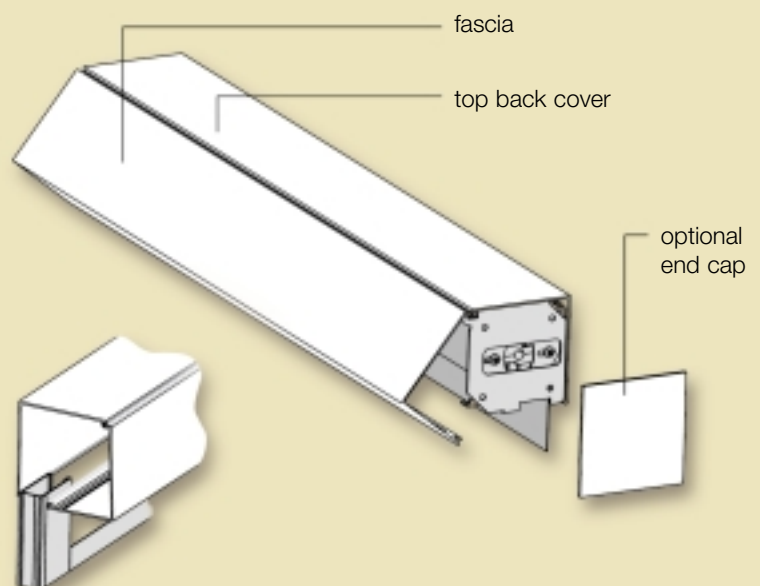
Jamb mount | roller 100



Fascia and top back covers

Sivoia QED roller shades can be installed within fascia and top back covers. This two-piece enclosure both conceals the product and affords accessibility for adjustment and maintenance.

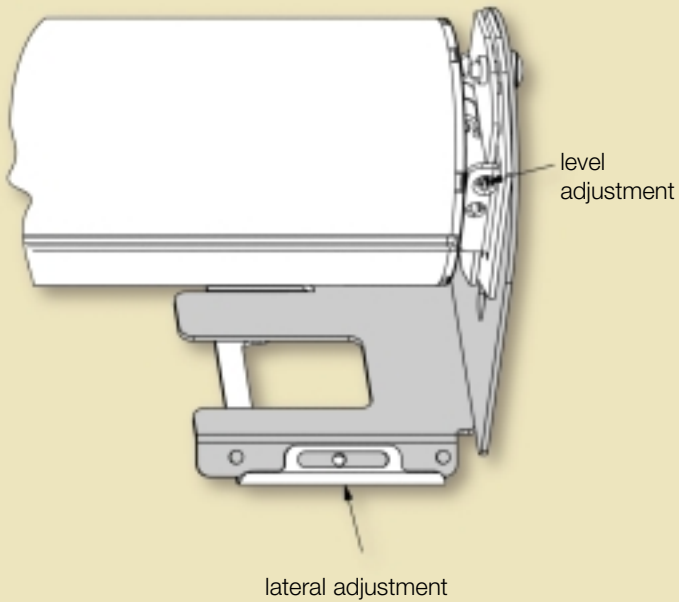
Add side channels and sill angles to achieve blackout conditions with opaque fabrics.



Fascia and top/back cover with side channel and sill angle.

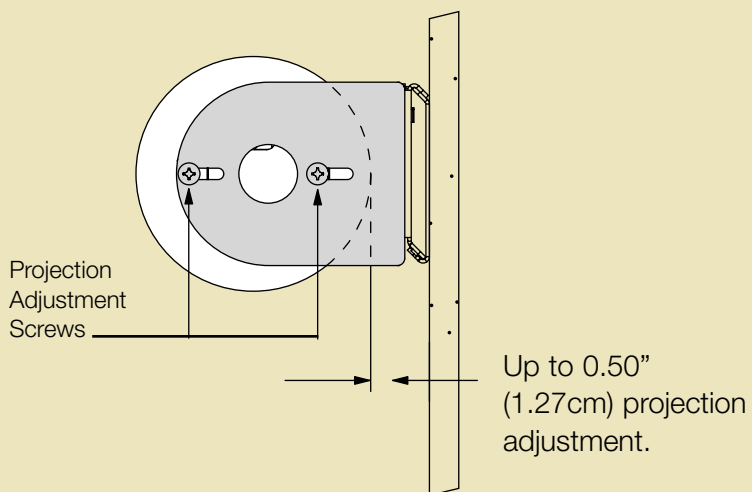
Shade centering and leveling

A benefit of the two-piece bracket design is the ability to laterally adjust the roller shade after installation to ensure a centered mounting. Roller shade can also be leveled easily without re-mounting the bracket.



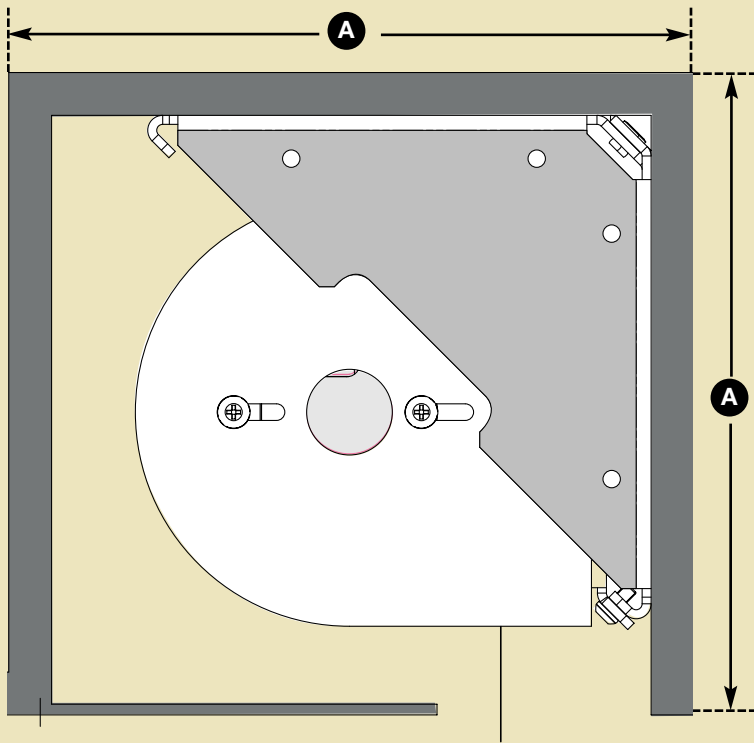
Projection adjustment

The Sivoia QED bracket allows for projection adjustment of the roller tube during and after installation.



Larger shades | roller 225

Sivoia QED drives can now operate larger shades, up to 225 square feet. Variables such as fabric weight and shade dimensions can affect the size of the shade that can be manufactured.

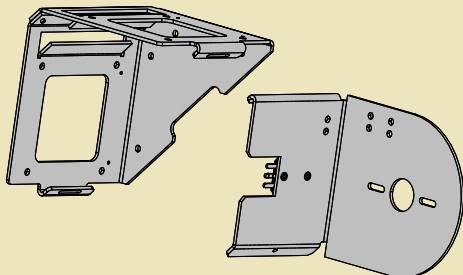


Dimensions

A 7.00" (17.78cm)

The roller 225 system:

- utilizes a 3.75" tube
- employs unique brackets designed for larger systems. Roller 64 and 100 brackets are not compatible with this system.



Sivoia QED roller 225
bracket assembly



Roman shades

Sivoia QED™ Roman shades feature a softer, folded look and can be created using most of Lutron's standard fabrics into a flat-fold or soft-fold configuration. Lutron can also automate a customer-supplied Roman shade, as pictured here (consult customer service for details).

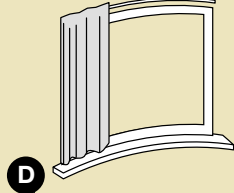
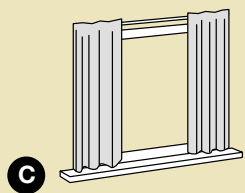
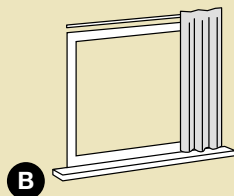
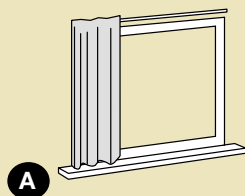


Drapery track system



Innovation and performance

- Provide privacy with elegant draperies of any fabric and color (customer-supplied)
- One-touch control of individual or groups of draperies for fully-open, fully-closed, or movement to preset positions
- Integrates seamlessly with Sivoia QED roller and Roman shades
- Patent-pending technology eliminates noise in tracks so draperies move quietly and smoothly.



Electronic Drive Unit (EDU) configuration options

- A** Left-draw left-mounted EDU
- B** Right-draw right-mounted EDU
- C** Split-draw left- or right-mounted EDU (curved or straight)
- D** Curved-draw left- or right-mounted EDU

Drapery systems | specifications

Straight track capacity | drapery size

Use this chart to determine the maximum fabric size the Sivoia QED™ drapery system can operate, based upon height and weight.

	Typical Sheer Drapery	Typical Blackout Drapery with Lining		Heavy Speciality Fabrics
Height	4 oz. per sq. yd. total fabric weight	12 oz. per sq. yd. total fabric weight	16 oz. per sq. yd. total fabric weight	24 oz. per sq. yd. total fabric weight
72" (1.83m)	Up to 18' (5.49m) w	Up to 18' (5.49m) w	Up to 15' (4.57m) w	Up to 12' (3.66m) w
96" (2.44m)	Up to 18' (5.49m) w	Up to 18' (5.49m) w	Up to 15' (4.57m) w	Up to 7' (2.13m) w
144" (3.66m)	Up to 18' (5.49m) w	Up to 14' (4.27m) w	Up to 9' (2.74m) w	N/A

Straight track capacity | drapery weight

Use this chart to determine the maximum fabric weight the Sivoia QED drapery system can operate, based upon system width.

Width	3'	4'	5'	6'	7'	8'	9'	10'	11'	12'	13'	14'	15'	16'	17'	18'
Weight (lbs)	80	80	80	80	80	80	80	70	70	70	70	60	60	60	60	60

Sivoia QED curved drapery track

Lutron has expanded the capability of the ultra-quiet Sivoia QED drapery system to apply to curved applications. The system provides smooth movement, all preset capabilities, and robust performance.

- Curved tracks are available in a number of standard arcs as well as custom specifications
- Split-draw and single-draw versions are available
- Up to 90° curves are possible, please contact customer service with specific applications



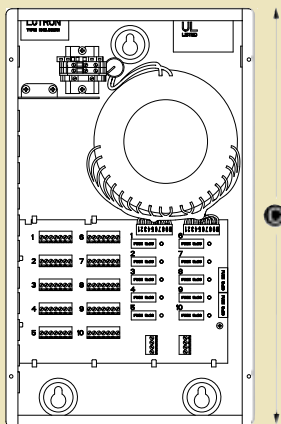
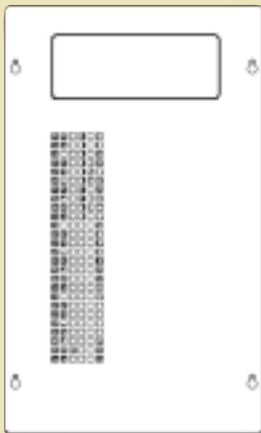
Providing power | panels and transformers

Sivoia QED™ power panel **NEW DESIGN** SVQ-10-PNL

Provides power and communication wiring for up to 10 Sivoia QED drives. Utilizes a custom seven-conductor combination communication/power cable (SVQ-CBL-250) or specify separate power and communication wiring. See the Sivoia QED technical reference guide (p/n 367-592) or visit www.lutron.com for more information.

Dimensions

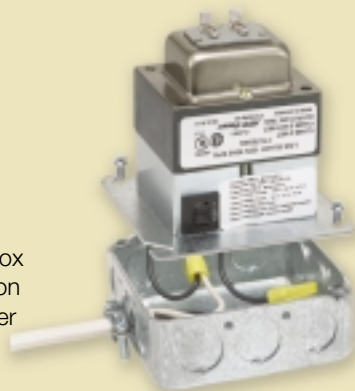
- A** 9.50" (24.13cm)
- B** 10.30" (26.16cm)
- C** 17.50" (44.45cm)
- D** 3.90" (9.9cm)



SVQ-10-PNL

Transformers

For smaller projects, or to more easily accommodate retrofit applications, choose from a selection of plug-in and junction-box transformers to power individual Sivoia QED drives. See the Sivoia QED technical reference guide (p/n 367-592) or visit www.lutron.com for more information.



SV-100SF-J Box
100 VA Junction
Box transformer



SV-50SF-PI
Sivoia QED
plug-in transformer

seeTouch™ keypads for Sivoia QED come in two styles: **Designer** and **Architectural**.



Designer Style

Designer (above, left)

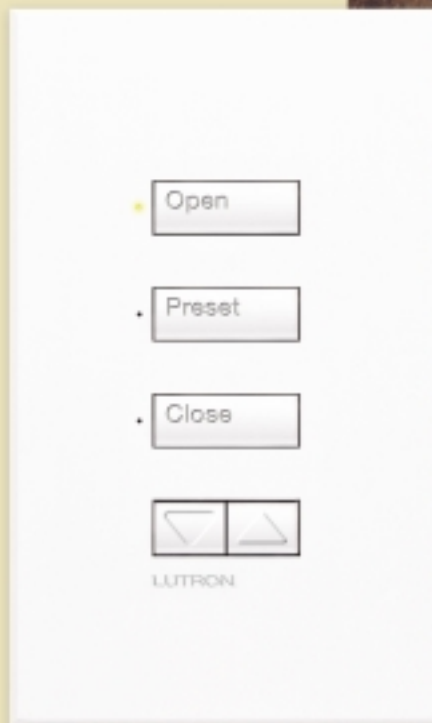
This keypad has rounded corners and is available in designer gloss and Satin Colors™ finishes.

Architectural (above, right)

This keypad style features beveled edges and squared-off corners. Choose between a non-insert or insert look. Architectural keypads are available in matte and metal finishes.

Another exclusive design feature of the entire seeTouch family is the wallplate with no visible screws for a clean, finished look.

See page 17 for full color and finish offering.



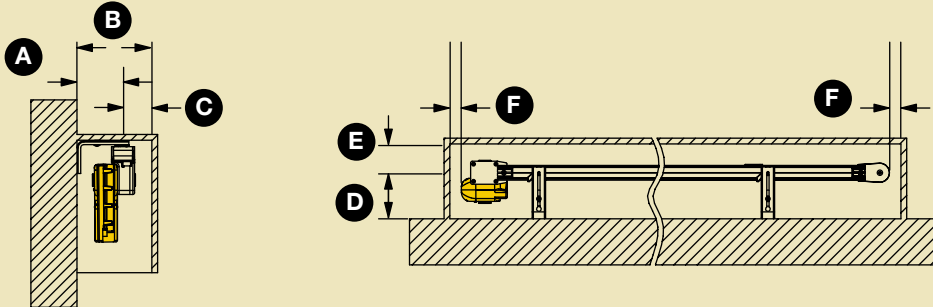
Architectural Style
(also available with insert)



Drapery systems | installation

Single drapery track system

Maintain enough clearance between the drapery track and the inside face of the top treatment or ceiling recess to allow the fabric to move freely.

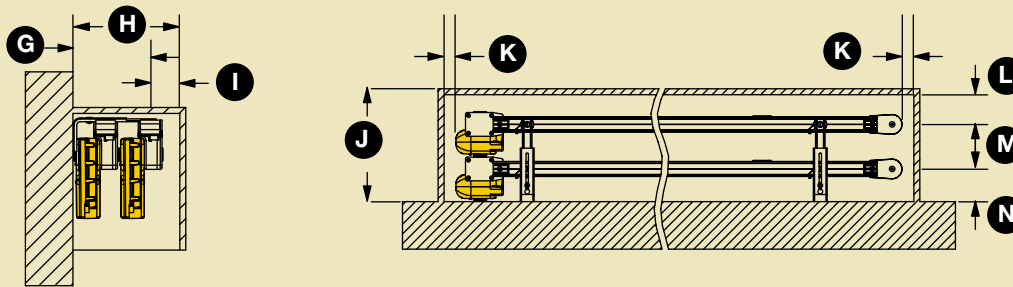


Dimensions*

- A** 3.00" (7.62cm)
- B** 5.00" (12.7cm)
- C** 2.00" (5.08cm)
- D** 3.00" (7.62cm)
- E** 2.00" (5.08cm)
- F** 1.00" (2.54cm)

Dual drapery track system

Sivoia QED drapery tracks can be used for a combination sheer/blackout treatment.

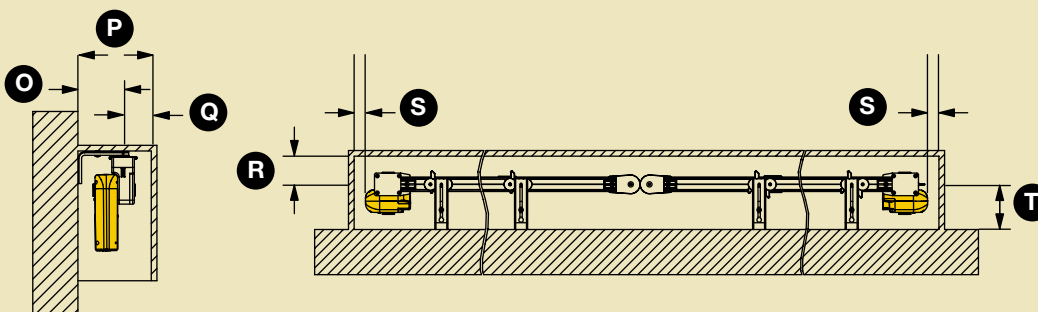


Dimensions*

- G** 7.25" (18.42cm)
- H** 9.25" (23.50cm)
- I** 2.00" (5.08cm)
- J** 9.25" (23.50cm)
- K** 1.00" (2.54cm)
- L** 2.00" (5.08cm)
- M** 4.25" (10.80cm)
- N** 3.00" (7.62cm)

Tandem drapery track system

The accuracy of movement and speed control of the Sivoia QED drapery system allows two independent systems to be used to create a split-draw drapery.

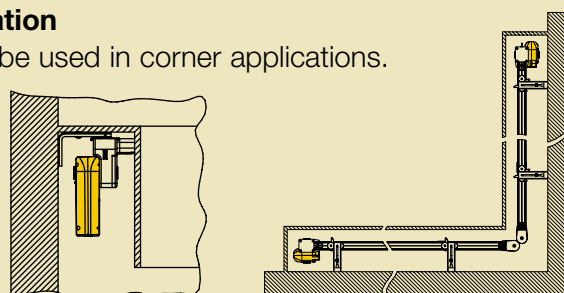


Dimensions*

- O** 3.00" (7.62cm)
- P** 5.00" (12.70cm)
- Q** 2.00" (5.08cm)
- R** 2.00" (5.08cm)
- S** 1.00" (2.54cm)
- T** 3.00" (7.62cm)

Drapery track corner application

Sivoia QED drapery tracks can be used in corner applications.

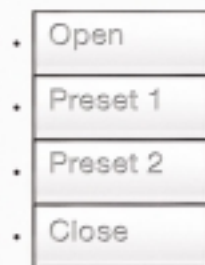


* Measurements listed are minimums.

Note- Sivoia QED Drapery tracks utilize an external EDU (highlighted)

seeTouch™

Lutron's exclusive seeTouch™ keypad design offers backlit, ergonomic buttons with customizable engraving. The keypads are available in a wide variety of button configurations to achieve any desired functionality, and to seamlessly integrate with Lutron lighting control systems.



Open

Fully open a shade or drapery

Presets

Adjust a shade or drapery to exact mid-point positions you determine

Close

Fully close a shade or drapery

Infrared

Infrared receiver, not a button

Raise/Lower

Adjust shades by pressing and holding either button

SVQ-4WRL-IR-WH keypad shown*

Backlighting options

seeTouch keypads are configured in one of two ways, based upon the keypad color selected (see page 17).



entire button backlight



text only backlight

* For a full review of keypad models and button configurations, please consult the Sivoia QED Technical Reference Guide, P/N 367-592 or visit www.lutron.com.

Keypads | colors and finishes

Colors

Matte finishes with backlit buttons for architectural-style keypads



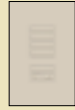
White



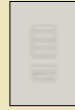
Beige



Ivory



Taupe



Gray



Brown



Black

Metal finishes with black buttons and backlit text for architectural-style keypads



Satin Brass



Bright Brass



Bright Chrome



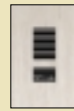
Antique Brass



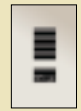
Antique Bronze



Satin Chrome



Satin Nickel



Bright Nickel



Clear Anodized Aluminum



Black Anodized Aluminum



Brass Anodized Aluminum

Gloss finishes for designer-style keypads



White
White Buttons
Backlit Buttons



Light Almond
Lt. Almond Buttons
Backlit Buttons



Almond
Almond Buttons
Backlit Buttons



Ivory
Lt. Ivory Buttons
Backlit Text



Gray
Lt. Gray Buttons
Backlit Text



Brown
Lt. Brown Buttons
Backlit Text



Black
Black Buttons
Backlit Text

Satin Colors™ matte finishes for designer-style keypads



Snow
Snow Buttons
Backlit Buttons



Eggshell
Eggshell Buttons
Backlit Buttons



Biscuit
Biscuit Buttons
Backlit Buttons



Limestone
Lt. Gray Buttons
Backlit Text



Stone
Lt. Gray Buttons
Backlit Text



Taupe
Taupe Buttons
Backlit Text



Desert Stone
Taupe Buttons
Backlit Text



Ochre
Lt. Ivory Buttons
Backlit Text



Blue Mist
White Buttons
Backlit Buttons



Terracotta
Taupe Buttons
Backlit Text



Hot
Taupe Buttons
Backlit Text



Midnight
Midnight Buttons
Backlit Text

Matching accessories in all colors and finishes



Phone & Cable
Jacks



Multi-gang
Wallplates



Dimmers and
Light Switches



Receptacles

Infrared remotes

Convenience

Choose from a variety of hand-held remotes to control Sivoia QED™ systems. Sivoia QED electronic drive units offer built-in infrared reception.



SVQ-OCIT-WH

Open/Close Hand-held Infrared Remote

- This remote offers open/close and fine-tune raise/lower control
- Can control one shade or a group of shades together



SVQ-4GD-OCIT-WH

Multi-function Hand-held Infrared Remote

- Designed specifically to control both individual and groups of shades
- Ideal for dual-mounted shades (to control two shades on the same window)



SVQ-3PIT-WH

Three Preset Hand-held Infrared Remote

- Offers open/close, three programmable presets and fine-tune raise/lower control
- Can control one shade or a group of shades together



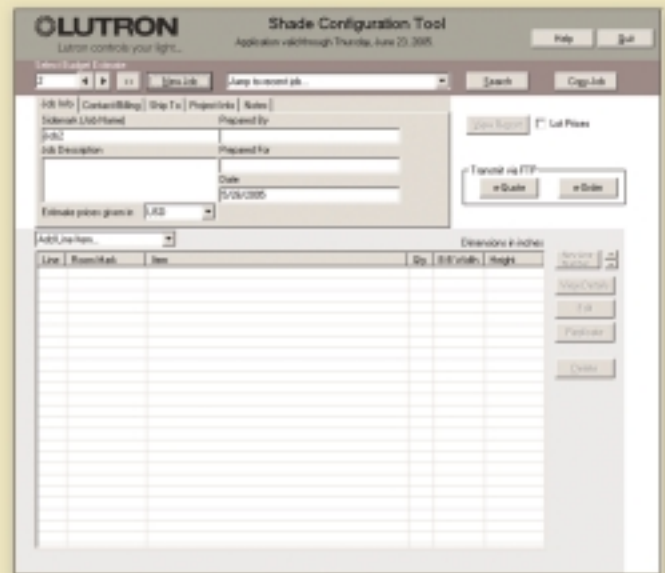
SVQ-4S2G-IT-WH

Multi-function Lighting and Shade Hand-held Infrared Remote

- Control both shades and lighting groups
- Ideal for home theater and conference room applications

Shade Configuration Tool (SCT) software

Lutron continues to improve this dynamic, indispensable tool. Now, easier interfaces and more detailed illustrations allow you to specify your shading products quickly and efficiently. The SCT includes the latest engineering guidelines and products and is the first step to obtaining fast, accurate quotes for your order.



Fabric specification guidelines

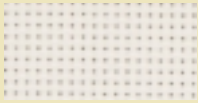
This handy swatch book offers large samples, useful specification information on each fabric and a comprehensive guide to evaluating applications to specify the appropriate fabrics. To order, contact customer service at 1.800.446.1503. List Price: \$70 USD. Part Number STND-FAB-BOOK.

Fabric sampling

Choose from over 300 colors and openness factors to complement any décor and achieve any level of solar control. The 8'x10' sampling program is provided to help your customers narrow their selection and to assist in the efficient specification of roller shades. Contact customer service at 1.800.446.1503 to order 8" x 10" fabric samples of any of our standard fabrics.



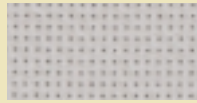
NEW SheerShade | SheerNature™ pvc- and halogen-free



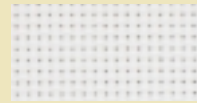
Linen
SN440-L-5



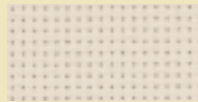
Silver
SN348-S-5



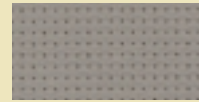
Pearl
SN349-P-5



White
SN119-W-5



Sand
SN410-SA-5



Charcoal
SN440-C-5



Gray
SN441-G-5

Openness factor: 5%
 Usable fabric roll width: 69" (cannot be railroaded)
 Composition: glass fabric with PVC-free and halogen-free coating

NEW SheerShade | fiberglass basketweave 1 (additional openness factors)



Charcoal/Gray*
SXL-CG-1



Charcoal/Bronze*
SXL-CB-1



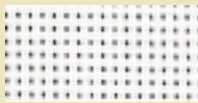
Charcoal*
SXL-CC-1



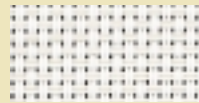
Pearl
SXL-PP-1



Linen*
SXL-LL-1



White*
SXL-WW-1



White/Linen*
SXL-WL-1



White/Pearl*
SXL-WP-1



Pearl/Linen
SXL-PL-1

* Now, selected colors from this collection are available in 1% and 3% openness factors. All nine colors are also available in factors of 5% and 10%. Apply the appropriately open weave to any window while maintaining aesthetic consistency.

Usable fabric roll width: 96" (can be railroaded)
 Composition: Glass yarn coated with PVC

SheerShade | fiberglass basketweave 2



Oyster
SP12-90-



Oyster/Beige
SP13-90-



Oyster/Pearl Gray
SP14-90-



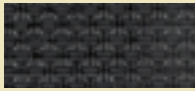
Beige
SQ20-90-



Beige/Pearl Gray
SQ21-90-



Pearl Gray
SV20-90-



Charcoal
SV21-90-



Charcoal/Gray
SV22-90-



Charcoal/Chestnut
SV24-90-

Approx. openness factor:	3%	5%	10%
Approx. UV blockage:	97%	95%	90%
Usable fabric roll width:	96" (can be railroaded)		
Composition:	35% fiberglass, 65% vinyl on polyester		

SheerShade | dual-sided fiberglass



White
SXL2-WW-



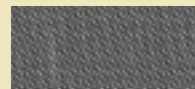
White/Linen
SXL2-WL-



White/Pearl
SXL2-WP-



White/Gray
SXL2-WG-



White/Charcoal
SXL2-WC-



White/Bronze
SXL2-WB-

Approx. openness factor:	3%	5%	10%
Approx. UV blockage:	97%	95%	90%
Usable fabric roll width:	96" (cannot be railroaded)		
Composition:	36% fiberglass, 64% PVC		

SheerShade | polyester basketweave



Alabaster
SP07-4K-



Chalk
SP06-4K-



Pebblestone
SQ12-4K-



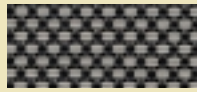
Graystone
SQ15-4K-



Granite
SP10-4K-



Pewter
SV07-4K-



Ash
SV15-4K-



Ebony
SV10-4K-



Tobacco
SQ16-4K-

Approx. openness factor:	3%	5%	10%
Approx. UV blockage:	97%	95%	90%
Usable fabric roll width:	96" (can be railroaded)		
Composition:	25% polyester, 75% vinyl on polyester		

NEW

SheerShade Designer™ | polyester jacquard



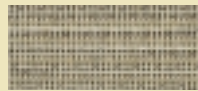
Marble/Sand
SD43-5K-5



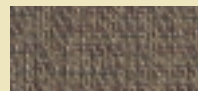
Bark/Aspen
SD44-5K-7



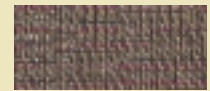
Moire/Leather
SD45-5K-7



Bamboo/Wheat
SD46-5K-7



Moire/Mocha
SD47-5K-7



Bark/Cedar
SD48-5K-10



Rattan/Umber
SD49-5K-7



Bark/Tiger Oak
SD50-5K-5



Wicker/Mushroom
SD51-5K-5



Marble/Slate
SD52-5K-7



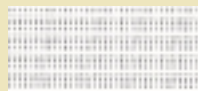
Honeycomb/
Brown Sugar
SD53-5K-10



Marble/Quartz
SD57-5K-7



Moire/Seashell
SD58-5K-5



Bamboo/Whitewash
SD59-5K-10



Bamboo/Birch
SD60-5K-10



Honeycomb/Vanilla
SD61-5K-10

Approx. openness factor:	5% - 10% (varies by color)
Approx. UV blockage:	90% - 95% (varies by color)
Usable fabric roll width:	72" (cannot be railroaded)
Composition:	polyester with vinyl (% varies by color, some colors include acrylic. See www.lutron.com)

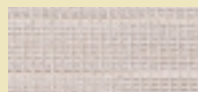
NEW

SheerShade Designer™ | trevira CS

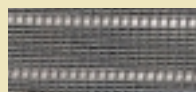
pvc-free



Bone
SD-7101-



Pewter
SD-7102-



Gray
SD-7103-

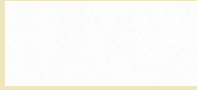


Wheat
SD-7104-

Approx. openness factor:	not specified
Usable fabric roll width:	80" (cannot be railroaded)
Composition:	100% polyester PLF

Privacy | translucent 1 - <1% openness factor

pvc-free



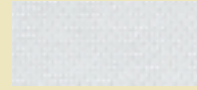
Blanc
PD-100-TL



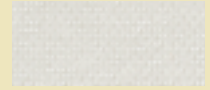
Orange
PD-771-TL



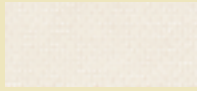
Bleu
PD-9524-TL



Gray 642
PD-642-TL



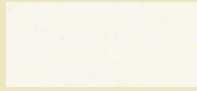
Gray 741
PD-741-TL



Beige 511
PD-511-TL



Beige 718
PD-718-TL



Beige 311
PD-311-TL



Vert
PD-107-TL

Openness factor: <1%

Approx. UV blockage: 99%

Fabric roll width: 70" (cannot be railroaded)

Composition: fiberglass coated with acrylic

Privacy | translucent 2 - 1% openness factor

pvc- and halogen-free



White
P7-200-1



Cream
P7-311-1



Light Brown
P7-9410-1



Beige 718
P7-718-1



Beige 816
P7-816-1



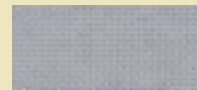
Dusty Rose
P7-264-1



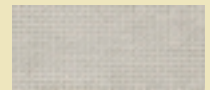
Dark Blue
P7-721-1



Pale Aqua
P7-107-1



Gray 9441
P7-9441-1



Gray 9744
P7-9744-1

Approx. openness factor: 1%

Approx. UV blockage: 99%

Fabric roll width: 69" (can be railroaded)

Composition: glass yarn

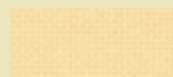
Additional colors for **Privacy Translucent 2** group shown below. Contact customer service for lead times on these colors.

Privacy | translucent 2 - additional colors

pvc- and halogen-free



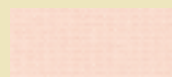
Forest Green
P7-005-1



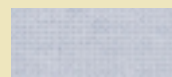
Light Orange
P7-251-1



Gray 642
P7-642-1



Peach
P7-771



Gray 9440
P7-9440-1



Sienna
P7-9470-1



Dark Teal
P7-9525-1



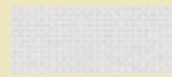
Dusty Teal
P7-9743-1



Pale Yellow
P7-755-1



Pale Green
P7-9400-1



Gray 945
P7-945-1



Light Aqua
P7-9524-1

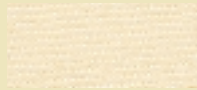
Privacy | translucent 3 - <1% openness factor pvc-free



Blanc
P600-TL



Sahel
P623-TL



Mississippi
P618-TL



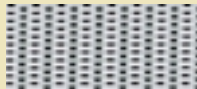
Chartreux
P608-TL

Openness Factor: <1%
 Approx. UV blockage: 99%
 Usable fabric roll width: 76" (can be railroaded)
 Composition: 72% fiberglass, 28% acrylic flocked backing

Privacy | basketweave - 1% openness factor



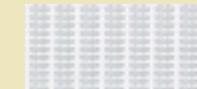
Alabaster
PP07-48-1



Slate
PV12-48-1



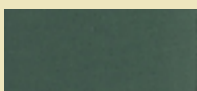
Gray
PV16-48-1



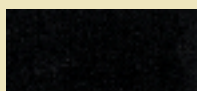
Stone
PV13-48-1

Approx. Openness Factor: 1%
 Approx. UV blockage: 99%
 Usable fabric roll width: 94" (can be railroaded)
 Composition: 24% polyester, 76% vinyl on polyester

Privacy | room darkening - <1% openness factor



Green
PN801-RD



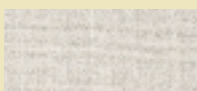
Black
PN802-RD



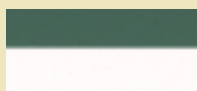
Natural
PN803-RD



Ecru
PN804-RD



Gray
PN805-RD



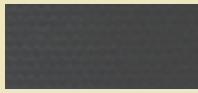
Green/White (dual-sided)
PN801-6-RD

Openness Factor: <1%
 Approx. UV blockage: 99%
 usable fabric roll width: 70" (cannot be railroaded)
 Composition: 100% cotton coated with fire retardant

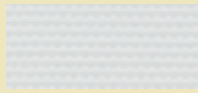
Blackout

Color samples shown are representations only. For detailed test information, solar performance, or to request fabric samples, please call 1.800.446.1503 or visit www.lutron.com. All fabrics meet NFPA standards for flame retardance.

Blackout | standard 1 - 0% openness factor



Black
BN-901-0



Gray
BN-902-0



White
BN-903-0



Oyster
BN-904-0



Champagne
BN-905-0



Cream
BN-906-0

Openness factor: 0%
 UV blockage: 100%
 Usable fabric roll width: 72" (can be railroaded)
 Composition: fiberglass

Blackout | standard 2 - 0% openness factor pvc-free



White 100
BH-100-0



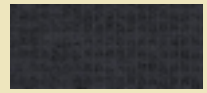
Beige 212
BH-212-0



Beige 211
BH-211-0



Gray 242
BH-242-0

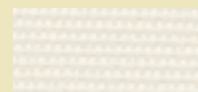


Black 243
BH-243-0

Openness factor: 0%
 UV blockage: 100%
 Usable fabric roll width: 82" (can be railroaded)
 Composition: 100% glass yarn with fireproof acrylic

NEW Blackout | value premiere pvc-free

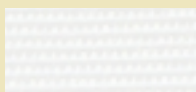
Now, choose from additional, flocked, 100% opaque fabrics.



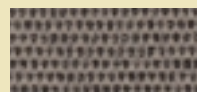
Sand
BP-P64-0



Birch
BP-P63-0



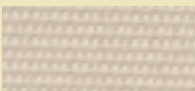
White
BP-P62-0



Onyx
BP-V40-0



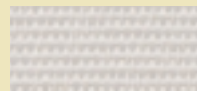
Graphite
BP-V39-0



Mushroom
BP-Q58-0



Wheat
BP-Q57-0



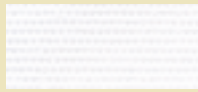
Canyon
BP-V41-0

Openness factor: 0%
 Usable fabric roll width: 94" (can be railroaded)
 Composition: 100% polyester with acrylic foamed backing

Blackout fabrics

Color samples shown are representations only. For detailed test information, solar performance, or to request fabric samples, please call 1.800.446.1503 or visit www.lutron.com. All fabrics meet NFPA standards for flame retardance.

Blackout | **premiere** - 0% openness factor **pvc-free**



Blanc
BM-600-0



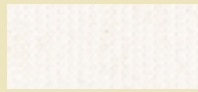
Sahel
BM-623-0



Mississippi
BM-618-0



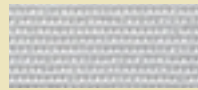
Beige
BM-603-0



Coraline
BM-625-0



Angora
BM-626-0



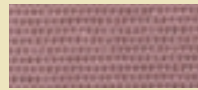
Chartreux
BM-608-0



Loutre
BM-609-0



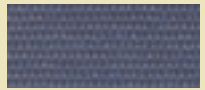
Noir
BM-606-0



Cuivre
BM-615-0



Petrole
BM-614-0



Encre
BM-619-0

Openness Factor:

0%

UV blockage:

100%

Usable fabric roll width:

76"

Composition:

42% fiberglass, 58% with acrylic flocked backing

Hardware color options

Pockets, fascia and top/back covers, side channels, and sill angles are available in these standard colors.



White



Bronze



Anodized
Aluminum

Contact customer service for additional color options.
Custom paint colors are available.



Designer-style keypad shown

Convenience and elegance

Seamlessly integrate shades and draperies with Lutron lighting control systems throughout the home. Control all the light using aesthetically consistent controls available in a wide variety of colors and finishes (see page 8).

Entire room

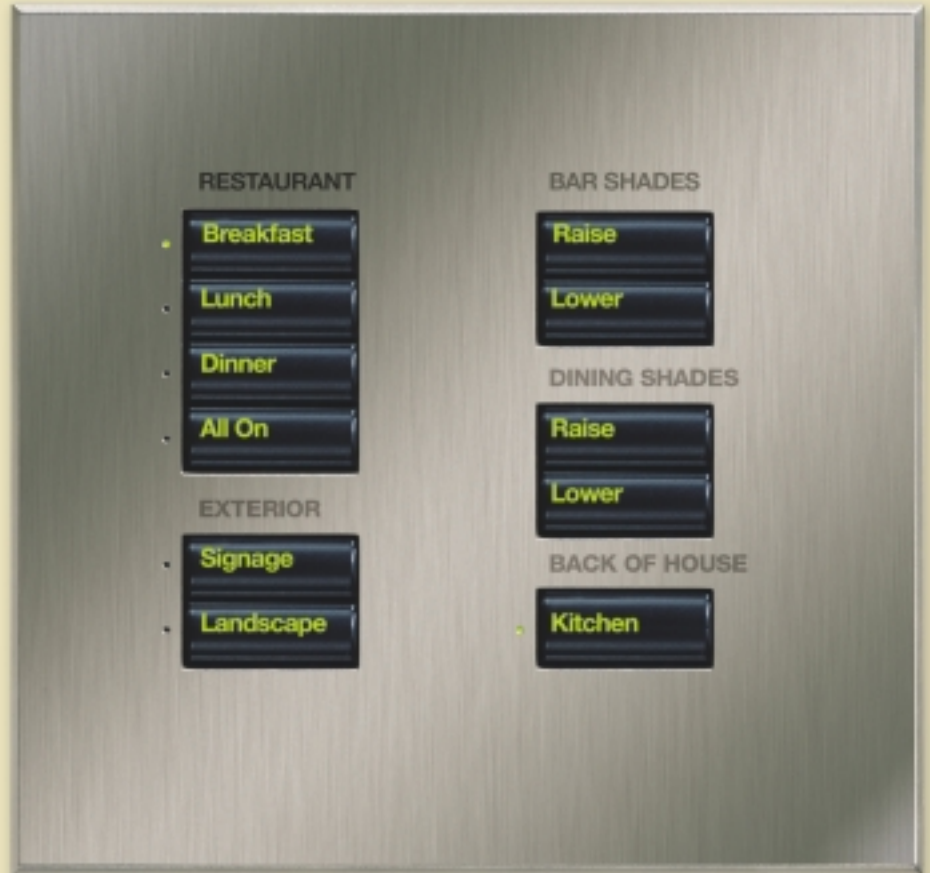
Lutron's GRAFIK Eye® lighting control system offers scene-based control of the light in any area of the home. One button can adjust lighting and shades with subtle or dramatic transitions.

- Home theater
- Bedroom
- Living room

Whole home

Expand one-touch control to the entire home with Lutron's HomeWorks® and RadioRA® lighting control systems. Integrate with AV, security and other home systems. Simplify daily routines, and enhance security, all at the touch of a button.

- Any size home
- New construction or retrofit
- Remote access via phone or modem



Architectural-style keypad shown

Aesthetic integration

Make a space as productive as possible with one-touch control of both electric and natural light. Keep presentations moving smoothly and maximize HVAC efficiency throughout an entire building with automated adjustment of shades and lighting.

Entire room

Bring integrated control of lighting, shading systems, and projection screens to presentation spaces and classrooms. Lutron's RadioTouch® control system is simple to use and can be easily retrofitted into any space.

- Conference Room
- A/V Presentation Space
- Classroom

Whole building

Control lighting and shading in any space or throughout the entire building with Lutron's GRAFIK systems. Lighting for restaurants, hospitality spaces, and corporate areas can be easily controlled and adjusted.

- Reduce glare and eye fatigue
- Maximize HVAC efficiency
- Increase productivity

Innovation

Lutron has built a strong reputation and highly respected name as the world's leading manufacturer of lighting control systems for over 40 years, continually innovating and expanding the marketplace. Lutron's first principal is to take care of our customer, offering world-class service and support.

Ultra-Quiet Electronic Drive

The Sivoia QED shading system operates at a near-silent level (rated at 44 dBA at three feet).

Speed control

All shades in a Sivoia QED system will track in unison and stop at programmable preset positions consistently to within +/- 1/16th".

Intelligent Hembar Alignment™

Sivoia QED roller shade systems offer a patent-pending speed control enhancement, which allows Roller 100 and Roller 225 shade systems to move and track together, even though they use different size roller tubes. This provides consistent performance for roller shades applied to multiple window sizes in a single space. It also provides the most cost-effective solution, allowing the specification of the optimum tube size for each shade.

Remotely programmable presets

The Sivoia QED system can be reconfigured and presets can be reprogrammed at the point of control without rewiring and without access to the electronic drive (EDU) unit mounted in the window. Roller shades and draperies will maintain programmed presets within 1/8".

Minimal, symmetrical light gaps

Sivoia QED roller shade systems offer typical light gaps of 3/4" per side.

Simplified wiring

Sivoia QED shading systems do not require any group controllers, relays, or line-voltage wiring between electronic drive units. Wiring can be simplified by using an optional Sivoia QED power panel, allowing all system wiring to run to one convenient location.

Highly configurable brackets and mounting hardware

The Sivoia QED mounting brackets allow an installer to adjust a shade's level, projection, and side-to-side position, all after the shade is installed.

System integration

Lutron lighting control systems, such as RadioRA®, RadioTouch®, HomeWorks®, and GRAFIK Eye™ seamlessly integrate with Sivoia QED shades, offering single-button control of both lighting and shades.

Presets never lost

Preset shade positions on the Sivoia QED system are electronically precision-set and locked into a 10-year power-failure memory. These presets and top and bottom limits will never slip or get lost regardless of age, electrostatic discharge, or power failure. Shades stop at preset positions with no audible click.

ElectroStatic Discharge (ESD)

The Sivoia QED system's electronic components are tested to withstand a 15,000 Volt electrostatic discharge without damage or loss of memory.

Decorative control options

Lutron controls are designed to match the high-end look and feel of today's premiere living and working spaces and are available in a wide variety of colors and finishes, including metals.

System warranty and support

Your Lutron system comes with an 8-year limited warranty. Lutron has factory-employed field service engineers throughout the world and is the only lighting control or shade systems manufacturer in the world with a 24-hour / 7 days a week technical support center.

Project Information

cover: Architecture by Robert Bentley Adams and Associates; Interior Design by Sydnye Pettengill, ASID

inside front cover: Architecture and Interior Design by Adamstein and Demetriou

page 01: Architecture by Javier de la Calzada, Madrid, Spain

bottom of page 11 and page 12: Architecture by Paul D. Mankins, FAIA, Herbert Lewis Krues Blunck, interiors by Renovation Style editors LuAnn Brandsen and Amy Elbert

Lutron Shading Solutions by VIMCO™ offers an 8-year limited warranty for our shading systems. Please contact customer service or visit our website for a complete warranty statement.

Lutron Shading Solutions by VIMCO reserves the right to make improvements or changes to these products without prior notice. Although every attempt is made to ensure that this information is accurate and up to date, please check with Lutron Shading Solutions by VIMCO to confirm product availability, latest specifications, and suitability for your application.

These products may be covered by one or more of the following US patents:

4,803,380;	6,313,588;	D436,930;	D466,090;
4,835,343;	6,346,781;	D453,742;	D466,091;
4,924,349;	6,497,267;	D456,783;	D466,484;
5,180,886;	D310,349;	D461,782;	D475,024;
5,671,387;	D370,663;	D462,332;	D475,025
5,848,634;	D391,924;	D465,460;	
6,100,659;	D422,567;	D465,770;	

and corresponding foreign patents. US and foreign patents pending.


www.lutron.com/shadingsolutions

Lutron Electronics Co., Inc.
7200 Suter Road
Coopersburg, PA 18036-1299

World Headquarters: 1.610.282.3800
Technical Support Center: 1.800.523.9466
Customer Service: 1.888.LUTRON1
Email: shadinginfo@lutron.com

© 06/2005 Lutron Electronics Co., Inc.

P/N 367-479 Rev. 06/05