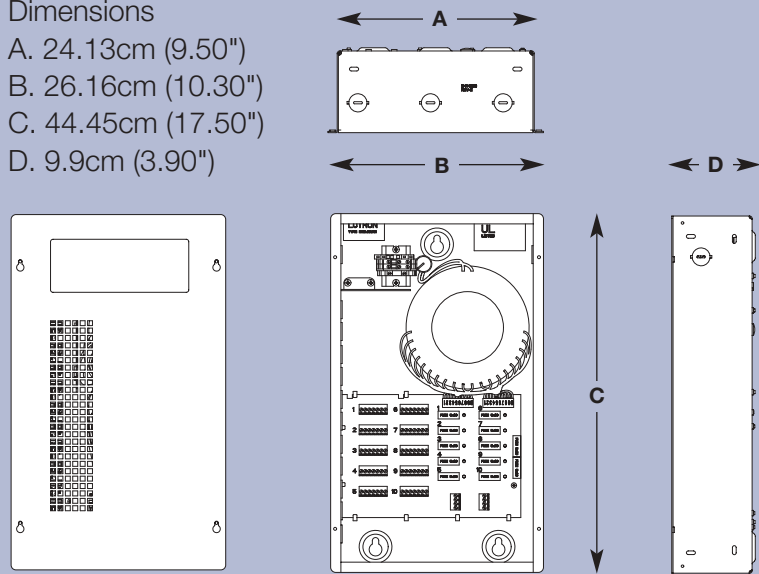


**Sivoia QED™ power panel
SVQ-10-PNL-CE**

Provides power and communication wiring for up to 10 Sivoia QED drives. Utilizes a custom seven-conductor combination communication/power cable (SVQ-CBL-250) or specify separate power and communication wiring. See the Sivoia QED technical reference guide (p/n 367-592/EA) or visit www.lutron.com/fabricators for more information.

Dimensions

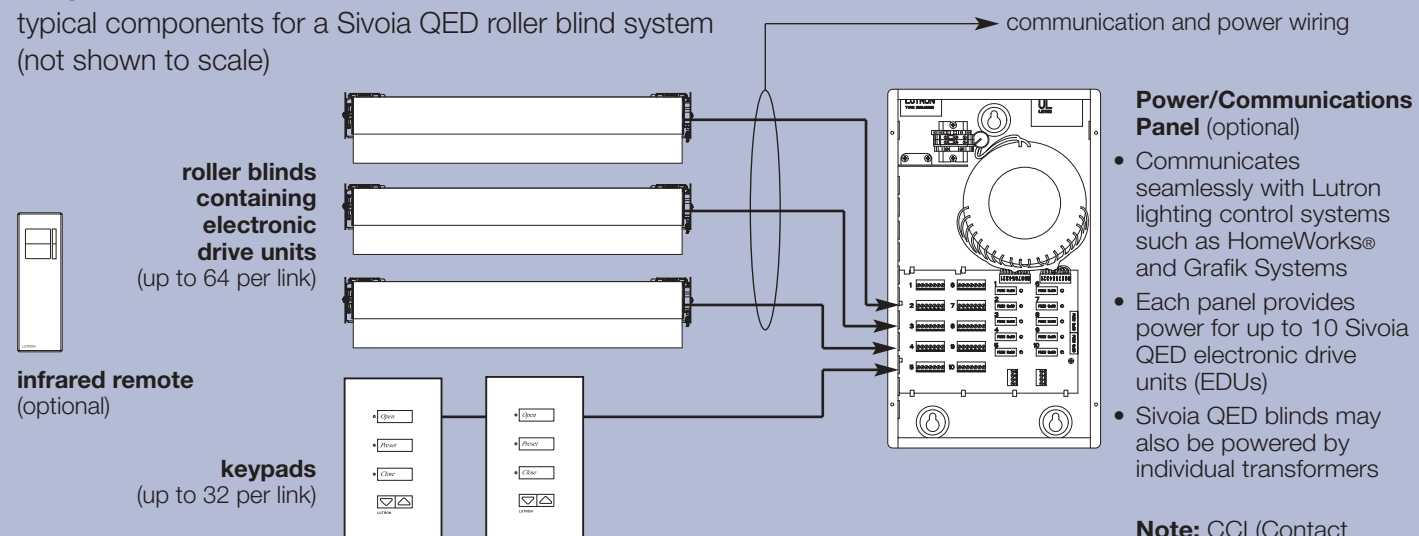
- A. 24.13cm (9.50")
- B. 26.16cm (10.30")
- C. 44.45cm (17.50")
- D. 9.9cm (3.90")



SVQ-10-PNL-CE
Sivoia QED power panel
with cover removed

Easy to wire and install

typical components for a Sivoia QED roller blind system
(not shown to scale)





SQE-RLN
See details below

DESCRIPTION

FUNCTIONS

SQE-RLN
Two button keypad with raise/lower

Product Dimensions
W: 86mm
H: 86mm
D: 21mm

- Offers raise and lower and full-open/full close after a 4 second maintained press
- Controls either a single EDU or a group of EDUs operating together
- Mounts in a standard European backbox

SQE-2N
Two button keypad with full-open and full close

Product Dimensions
W: 86mm
H: 86mm
D: 21mm

- Offers full-open and full-close
- Offers "stop if moving" tap from either button
- Controls either a single EDU or a group of EDUs operating together
- Mounts in a standard European backbox

DESCRIPTION

FUNCTIONS

SQE-3EN

Five button keypad with full-open, preset, full-close, raise/lower and infrared reception

Product Dimensions
W: 86mm
H: 86mm
D: 21mm

- Offers full-open, full-close, raise/lower and one programmable preset
- Offers "stop if moving" tap from either button. Infrared receiver controls all, or a subset of the EDUs assigned to keypad
- Controls either a single EDU or a group of EDUs operating together
- Mounts in a standard European backbox

SQE-3DN

Six button keypad with full-open, preset and full-close for dual mount or two group applications

Product Dimensions
W: 86mm
H: 86mm
D: 21mm

- Offers full-open and full-close and one programmable preset
- Offers "stop if moving" tap from either button
- Controls either two single EDUs or two groups of EDUs operating together
- Mounts in a standard European backbox

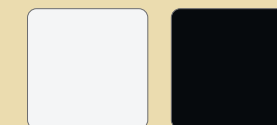
SQE-33N

Six button keypad with full-open, preset, full-close and raise lower for three group applications

Product Dimensions
W: 86mm
H: 86mm
D: 21mm

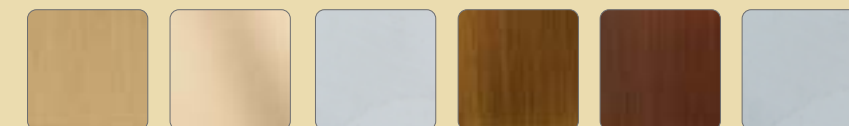
- Offers full-open and full-close and one programmable preset
- Offers "stop if moving" tap from either button
- Controls either three single EDUs or three groups of EDUs operating together
- Mounts in a standard European backbox

Matt finishes

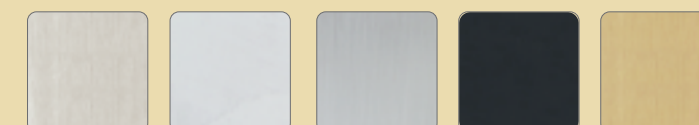


White WH Black BL

Metal finishes



Satin Brass SB Bright Brass BB Bright Chrome BC Antique Brass QB Antique Bronze QZ Satin Chrome SC



Satin Nickel SN Bright Nickel BN Clear Anod. Aluminium CLA Black Anod. Aluminium BLA Brass Anod. Aluminium BRA

