

window systems

quiet electronic drives



## Sivoia QED natural light control

Lutron has been the world's leading manufacturer of lighting control systems for more than 40 years. Now, Lutron has opened up a new world of possibilities by seamlessly integrating electric and natural light control systems with a focus on innovation, world-class engineering, and customer service. Lutron blends technology with design and environmental sensitivity to provide the ideal solution for any specification.



## Applications

### Residential

A Sivoia QED system allows a homeowner to have convenient control of sunlight at the touch of a button. Enhance any room in your home with Sivoia QED ultra-silent operation.



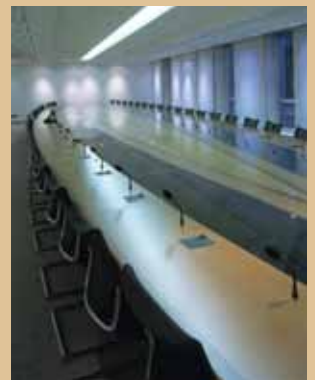
### Hospitality

Creating a memorable experience in a restaurant is as much about atmosphere as it is about cuisine. Sivoia QED, along with Lutron lighting controls, are integral to setting the mood with appropriate light levels. Sivoia QED ultra-quiet operation makes transitions subtle so they do not interfere with the ambience or activities in hospitality spaces.



### Corporate

The control of natural light is critical for productivity, comfort and energy savings in applications such as corporate boardrooms, training areas, conference rooms and executive offices. Today's dynamic business environments require the flexibility to transition a well-lit boardroom meeting into a theatre-style audio/video presentation at the touch of a button.



# Innovations in natural light control

## Quality and performance

The Sivoia QED family of quiet electronic drives offers convenience at the touch of a button. Lutron's quiet electronic drive technology provides near-silent performance, operating smoothly and in perfect alignment.

## Ultra-quiet electronic drive

The Sivoia QED drive operates roller blinds and curtains at a near-silent level rated at 44 dBA at 1m.

## Intelligent control

The Sivoia QED electronic drive unit (EDU) optimises blind and curtain adjustment by offering programmable presets. Save and recall preset blind levels from an intuitive keypad. Additionally, blinds will move smoothly, in unison, and with exact alignment.

## Simplified installation

The system can be configured and reprogrammed at the point of control without any rewiring, without access to the EDU, and without the use of a group controller. The Sivoia QED mounting brackets allow an installer to adjust the blind's level, projection, and side-to-side position, all after the blind has been installed.

## Integration of natural and electric light

Lutron lighting control systems work together with Sivoia QED controllable window systems to offer complete control of all the light in any space. Blinds adjust as lights dim or brighten to generate light levels for any mood or activity.



## table of contents

Sivoia QED overview	2-5
residential integration	4-5
commercial integration	6-7
specification overview	8
features & benefits	9
accessories	10-16
system maps	17
roller blind details	18-25
curtain track details	26-31



## Quiet Electronic Drive technology for natural light control



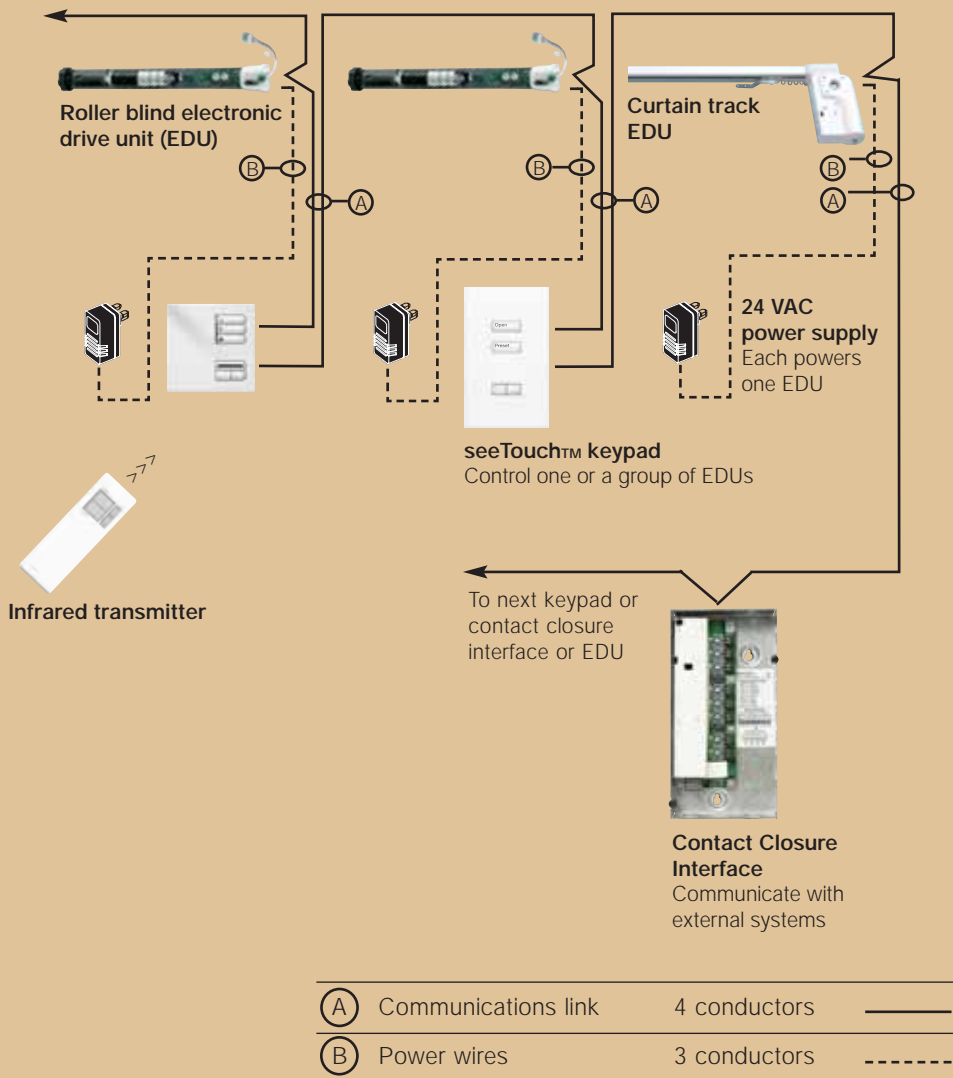
### Typical system

- Electronic Drive Unit (EDU)
- Intuitive keypad with programmable presets
- Common communication link
- Configurable brackets and mounting hardware
- Low voltage AC power supply

### Options

- Infrared transmitter and receiver for wireless control
- Automatic control via timeclocks or daylight sensors
- Contact closure inputs to integrate with other home and building control systems
- Complete integration of Lutron lighting control systems, such as Grafik Eye™ or HomeWorks™ systems

# System map



## System maximums

- 96 devices (includes EDUs, keypads and contact closure input interfaces)
- Optional infrared remote control
- Groups are created electronically and do not require the use of an external group controller
- Use Lutron lighting control systems to link multiple Sivoia QED systems for control of more than 96 devices





### **Elegant, intuitive control**

Seamlessly integrate blinds and curtains with Lutron® lighting control systems throughout the home. Control both electric and natural light with keypads that have a consistent design aesthetic.

### **Entire room**

Lutron's Grafik Eye™ lighting control system offers scene-based control of the lights in any area of the home. One button can adjust lighting and blinds with subtle or dramatic transitions.

- Home cinema
- Bedroom
- Lounge

### **Whole home**

Expand one-touch control to the entire home with Lutron's HomeWorks™ lighting control system. Integrate with AV, security and other home systems. Simplify daily routines and enhance security, all at the touch of a button.

- Any size home
- Wireless keypads
- Automatic control via astronomic timeclock









### **Ease of use**

Make a space as productive as possible with one-touch control of both natural and electric light. Ultra-quiet operation allows for subtle transitions that do not interfere with the atmosphere or activities in the space.

### **Entire room**

Bring integrated control of lighting, window systems, and projection screens to presentations and classrooms. Lutron's Grafik Eye™ transforms the well-lit boardroom to an ideal environment for an AV presentation.

- Conference room/boardroom
- Classroom
- Executive office

### **Whole building**

Control lighting and motorised window systems in any space or throughout the entire building with Lutron's Grafik Systems™. Reduce glare and eye fatigue, maximise HVAC efficiency, and increase productivity with automated adjustment of blinds and lighting.

- Restaurants and hotels
- Galleries
- Corporate offices

**Communications circuit**

- Establishes the unique and versatile system architecture that enables complete flexibility in programming, integration, and interconnectivity
- Addresses, programs, and reconfigures the system from any system component: the EDU mounted in the ceiling, keypad installed in the wall or a handheld remote control
- Eliminates the need for external "group controllers," simplifying programming and future changes to the system

**Hall effect sensors**

- Measures motor position to ensure blinds move in perfect unison and in exact alignment
- Digitally sets and stores limits and does not rely on traditional analogue mechanics for status and feedback

**Protection against electrostatic discharge**

Provides safe, controllable discharge of potentially damaging static created by blind fabric

**Rubberised motor coupler**

Custom fit to dampen vibration between motor and blind tube

**Gear-motor**

- Features precision helical gearing design to ensure ultra-quiet operation
- Combines time proven gear-motor technology with Lutron's control expertise to provide superior lifetime and performance

**Electronic drive unit (EDU)**

**Electronic drive circuit**

- Variable-speed motor drive provides efficient power delivery to the EDU and ensures silent, accurate control
- Operates at frequencies inaudible to the human ear

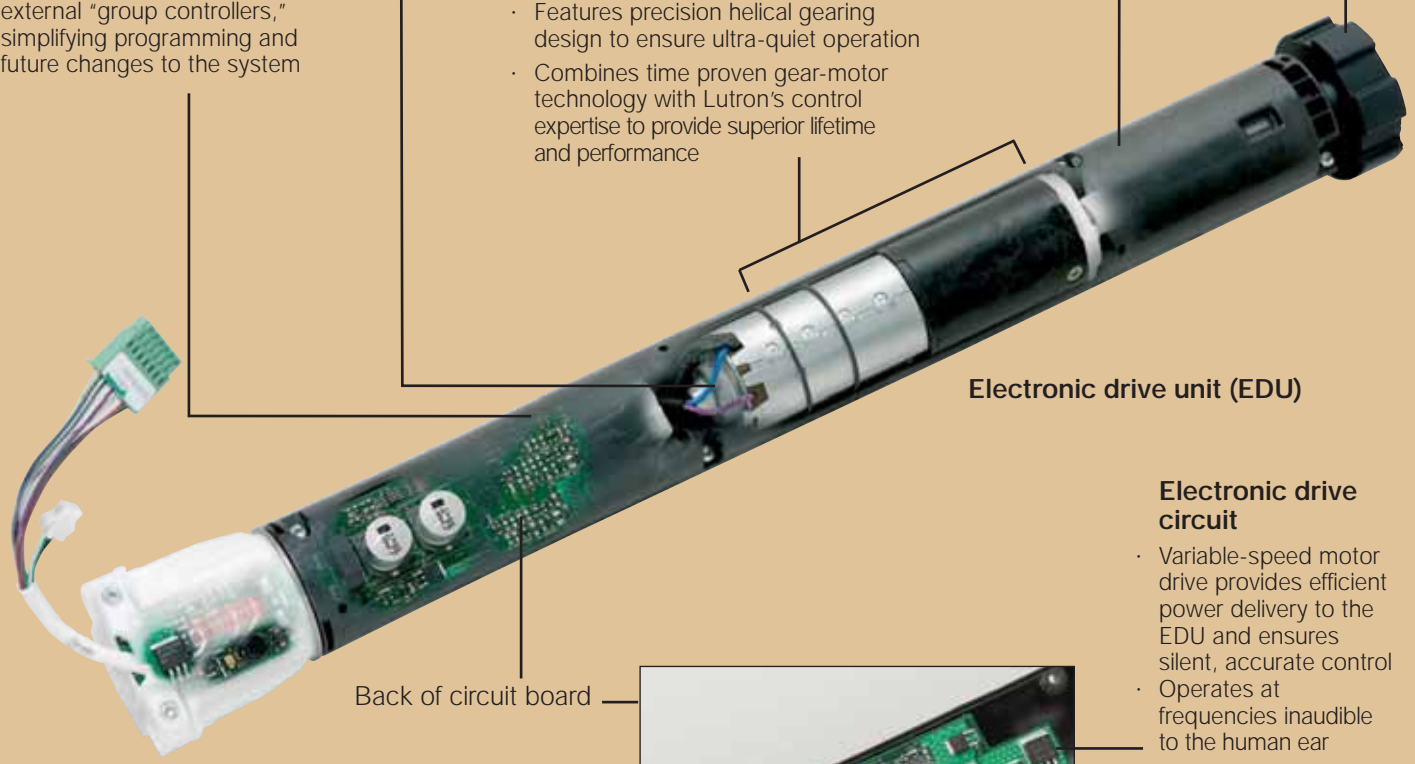
**Back of circuit board**

**Microprocessor**

- Uses a feedback control loop to provide smooth, consistent blind movement. Blinds move at constant RPM, ensuring hembars are aligned and track together
- Patented acceleration profile algorithm gradually increases and decreases EDU speed to provide elegant movement and eliminate audible starts and stops
- Stores unique, user-defined preset levels for each keypad accurate within  $\pm 2$ mm that are programmable at any point along the travel of the blind
- Provides LED feedback for system status and ease of programming

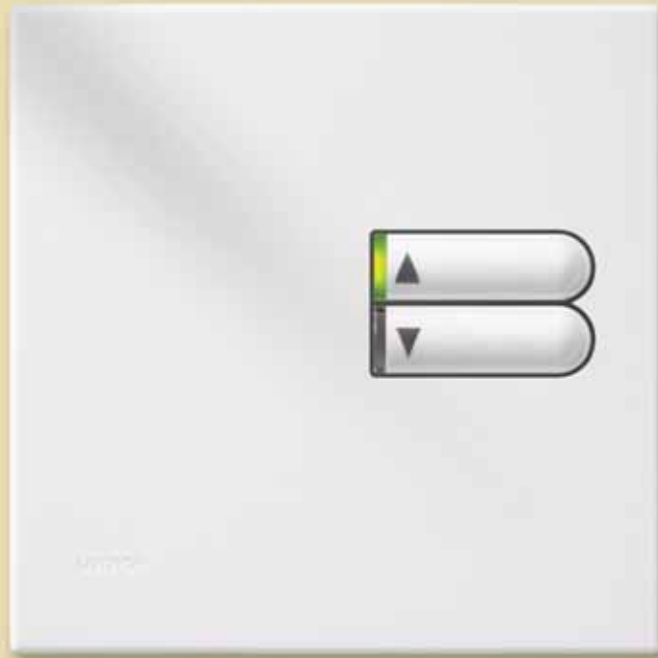
**10-year power failure memory**

Records motor movements to ensure that position and movement are accurately saved even if the EDU is active when power is interrupted



Feature	Benefits
Ultra silent functionality	<ul style="list-style-type: none"> <li>• The Sivoia QED (quiet electronic drive) system operates at a near-silent level (rated at 44 dBA at 1m)</li> <li>• Sivoia QED ultra-quiet operation makes transitions subtle and starts and stops silent</li> </ul>
Maximum window coverage	<ul style="list-style-type: none"> <li>• The Sivoia QED system has typical light gaps of less than 20mm per side</li> <li>• These are symmetrical on each side of the blind ensuring a clean aesthetic in the space</li> </ul>
Aesthetic design options	<ul style="list-style-type: none"> <li>• Lutron® controls are designed to match the high-end look and feel of today's premiere living and working spaces</li> <li>• SeeTouch™ keypad design offers backlit, ergonomic buttons with customisable engraving.</li> <li>• Available in a range of colours and metal finishes, Lutron window system keypads integrate seamlessly with Lutron lighting keypads</li> </ul>
Ease of programming	<ul style="list-style-type: none"> <li>• The Sivoia QED system can be reconfigured and presets can be reprogrammed at the point of control without rewiring and without access to the electronic drive unit mounted in the window</li> <li>• Each electronic drive unit (EDU) stores multiple presets positioned anywhere along the system travel and a full open and a full close limit</li> </ul>
Ease of installation	<ul style="list-style-type: none"> <li>• The Sivoia QED system uses 24 VAC low voltage and does not require any group controllers, relays, or line-voltage wiring between electronic drive units</li> <li>• Highly configurable mounting brackets allow an installer to adjust a blind's level, projection, and side-to-side position, all after the blind is installed</li> </ul>
Power failure memory	<ul style="list-style-type: none"> <li>• Preset positions on the Sivoia QED system are electronically, precision-set and locked into a 10-year power-failure memory</li> <li>• These presets as well as the top and bottom limits will never slip or get lost regardless of age, electrostatic discharge (ESD), or power failure</li> <li>• The Sivoia QED system's electronic components are tested to withstand a 15,000 volt electrostatic discharge without damage or loss of memory</li> </ul>
Precise movement	<ul style="list-style-type: none"> <li>• All blinds in a Sivoia QED system will start, stop and move in unison and in precise alignment at all times for the life of the system</li> </ul>
System integration	<ul style="list-style-type: none"> <li>• Lutron lighting controls, such as HomeWorks™ and GRAFIK Eye™, seamlessly integrate with Lutron's Sivoia QED window systems, offering single-button control of both lighting and blind presets for your project</li> </ul>
High performance electronics	<ul style="list-style-type: none"> <li>• Sivoia QED uses robust components that operate at least 20°C below their rated temperature to ensure years of dependable operation.</li> </ul>
Technical support	<ul style="list-style-type: none"> <li>• Lutron Electronics has been the world leader in the lighting control industry and the designer's choice for over 40 years</li> <li>• Lutron's Sivoia QED system comes with an 8-year limited warranty</li> <li>• Lutron has in-house field service engineers throughout the world to provide world-class service and technical support</li> </ul>





**SQE-RLN**

Shown actual size.  
See below for details.

**DESCRIPTION**

**FUNCTIONS**



**SQE-RLN**

Two button keypad

Product dimensions  
W: 86mm (3.39")  
H: 86mm (3.39")  
D: 21mm (0.83")

- Offers raise and lower or full-open/full-close after a 4 second maintained press
- Controls either a single EDU or a group of EDUs operating together
- Mounts in a standard European backbox



**SQE-2N**

Two button keypad

Product dimensions  
W: 86mm (3.39")  
H: 86mm (3.39")  
D: 21mm (0.83")

- Offers full-open and full-close
- Offers "stop if moving" tap from any button
- Controls either a single EDU or a group of EDUs operating together
- Mounts in a standard European backbox

## DESCRIPTION

## FUNCTIONS

### SQE-3EN

Three button keypad with raise/lower and infrared reception

Product dimensions  
W: 86mm (3.39")  
H: 86mm (3.39")  
D: 21mm (0.83")

- Offers full-open, full-close, raise/lower, infrared reception and one programmable preset
- Offers "stop if moving" tap from any button
- Infrared receiver controls all, or a subset of the EDUs assigned to keypad
- Controls either a single EDU or a group of EDUs operating together
- Mounts in a standard European backbox



### SQE-3DN

Six button keypad for dual mount or two group applications

Product dimensions  
W: 86mm (3.39")  
H: 86mm (3.39")  
D: 21mm (0.83")

- Offers full-open and full-close and one programmable preset
- Offers "stop if moving" tap from any button
- Controls either two single EDUs or two groups of EDUs operating together
- Mounts in a standard European backbox



### SQE-33N

Six button keypad for three group applications

Product dimensions  
W: 86mm (3.39")  
H: 86mm (3.39")  
D: 21mm (0.83")

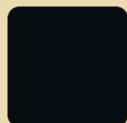
- Offers full-open and full-close and one programmable preset
- Offers "stop if moving" tap from any button
- Controls either three single EDUs or three groups of EDUs operating together
- Mounts in a standard European backbox



## Matt finishes



White WH



Black BL

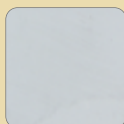
## Metal finishes



Satin Brass SB



Bright Brass BB



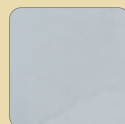
Bright Chrome BC



Antique Brass QB



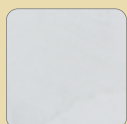
Antique Bronze QZ



Satin Chrome SC



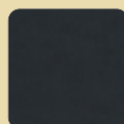
Satin Nickel SN



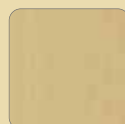
Bright Nickel BN






Clear Anod.  
Aluminium CLA



Black Anod.  
Aluminium BLA



Brass Anod.  
Aluminium BRA

	DESCRIPTION	FUNCTIONS
	<p><b>SQA-2</b> Two button keypad</p> <p>Product dimensions W: 70mm (2.75") H: 118mm (4.625") D: 29mm (1.13")</p>	<ul style="list-style-type: none"> <li>• Offers full-open and full-close</li> <li>• Controls either a single EDU or a group of EDUs operating together</li> </ul>
	<p><b>SQA-3</b> Three button keypad</p> <p>Product dimensions W: 70mm (2.75") H: 118mm (4.625") D: 29mm (1.13")</p>	<ul style="list-style-type: none"> <li>• Offers full-open, full-close, and one programmable preset position</li> <li>• Controls either a single EDU or a group of EDUs operating together</li> </ul>
	<p><b>SQA-2R</b> Two button keypad with raise/lower</p> <p>Product dimensions W: 70mm (2.75") H: 118mm (4.625") D: 29mm (1.13")</p>	<ul style="list-style-type: none"> <li>• Offers full-open, full-close, and raise/lower</li> <li>• Controls either a single EDU or a group of EDUs operating together</li> </ul>
	<p><b>SQA-3R</b> Three button keypad with raise/lower</p> <p>Product dimensions W: 70mm (2.75") H: 118mm (4.625") D: 29mm (1.13")</p>	<ul style="list-style-type: none"> <li>• Offers full-open, full-close, raise/lower and one programmable preset position</li> <li>• Controls either a single EDU or a group of EDUs operating together</li> </ul>

### Matt finishes



White WH

Beige BE

Ivory IV

Gray GR

Brown BR

Black BL

### Metal finishes



Satin Brass SB

Bright Brass BB

Bright Chrome BC

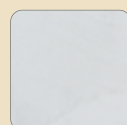
Antique Brass OB

Antique Bronze OZ

Satin Chrome SC



Satin Nickel SN



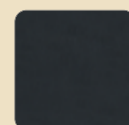
Bright Nickel BN



Gold Plated AU



Clear Anod.  
Aluminium CLA



Black Anod.  
Aluminium BLA



Brass Anod.  
Aluminium BRA



## DESCRIPTION

## FUNCTIONS

### SQA-4E

Four button keypad with raise/lower and infrared reception

Product dimensions  
W: 70mm (2.75")  
H: 118mm (4.625")  
D: 29mm (1.13")

- Offers full-open, full-close, raise/lower, infrared reception and two programmable preset positions
- Controls either a single EDU or a group of EDUs operating together
- Infrared receiver controls all, or a subset of the EDUs assigned to keypad



### SQA-5R

Five button keypad with raise/lower

Product dimensions  
W: 70mm (2.75")  
H: 118mm (4.625")  
D: 29mm (1.13")

- Offers full-open, full-close, raise/lower and three programmable preset positions
- Controls either a single EDU or a group of EDUs operating together



### SQA-2D

Four button keypad for dual-mount or two group applications

Product dimensions  
W: 70mm (2.75")  
H: 118mm (4.625")  
D: 29mm (1.13")

- Offers full-open and full-close for two separate groups
- Controls either two single EDUs or two groups of EDUs operating together
- Counts as one device on the communications link



### SQA-3D

Six button keypad for dual-mount or two group applications

Product dimensions  
W: 70mm (2.75")  
H: 118mm (4.625")  
D: 29mm (1.13")

- Offers full-open, full-close, and one programmable preset position for two separate groups of EDUs
- Control either two single EDUs or two groups of EDUs operating together
- Counts as one device on the communications link



### SVQ-CCI-8

Sivoia QED™ keypad accessory





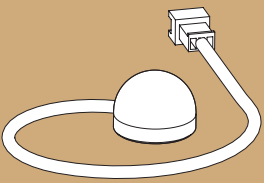
W: 13.34mm (5.25")  
or 14.61mm (5.75")  
with cover  
H: 26.04mm (10.25")  
or 27.31mm (10.75")  
with cover  
D: 5.08mm (2.00")

- Offers full-open, full-close, and one programmable preset position for two separate groups of EDUs.
- Controls 1, 2 or 4 EDUs individually or 1, 2 or 4 groups of EDUs
- Counts as one device on the communications link



## Footnote

All the above keypads are available in insert (I) and non-insert (N) style and mount in Lutron®-supplied backboxes.

	DESCRIPTION	FUNCTIONS
	<p><b>SV-OCIT</b> Open/close handheld IR transmitter</p> <p>Product dimensions W: 38mm (1.50") H: 117.5mm (4.625") D: 14.3mm (.5625")</p>	<ul style="list-style-type: none"> <li>• Offers open/close and fine tune raise/lower control</li> <li>• Can control one EDU or a group of EDUs acting together</li> <li>• Use with either the remote IR Eye (SV-IR-XX) or a keypad with an integral IR receiver</li> </ul>
	<p><b>SV-3PIT</b> Three preset handheld IR transmitter</p> <p>Product dimensions W: 38mm (1.50") H: 168.3mm (6.625") D: 22.3mm (0.875")</p>	<ul style="list-style-type: none"> <li>• Offers full-open, full-close, three programmable presets and fine-tune raise/lower</li> <li>• Can control one EDU or a group of EDUs acting together</li> <li>• Can be used to program presets</li> <li>• Use with either the remote IR Eye (SV-IR-XX) or a keypad with an integral IR receiver</li> </ul>
	<p><b>SV-4GD-OCIT</b> Multi-function handheld infrared transmitter</p> <p>Product dimensions W: 38mm (1.50") H: 168.3mm (6.625") D: 22.3mm (0.875")</p>	<ul style="list-style-type: none"> <li>• Designed specifically to offer both individual and group controls of blinds. Ideal for dual mount blinds to control both light filtering and blackout blinds on the same window</li> <li>• Control up to four window groupings</li> <li>• Use with either the remote IR Eye (SV-IR-XX) or a keypad with an integral IR receiver</li> </ul>
	<p><b>SV-4S2G-IT</b> Multi-function lights and window treatment handheld infrared transmitter</p> <p>Product dimensions W: 38mm (1.50") H: 168.3mm (6.625") D: 22.3mm (0.875")</p>	<ul style="list-style-type: none"> <li>• Controls both window treatments and lighting groups</li> <li>• Ideal for home theatre and conference room applications</li> <li>• Access up to four lighting presets as well as turning lighting completely off</li> <li>• Use with either the remote IR Eye (SV-IR-XX) or a keypad with an integral IR receiver</li> </ul>
	<p><b>SV-IR-XX</b> Remote infrared eye for Sivoia QED™</p> <p>Product dimensions W: 38mm (1.50") H: 168.3mm (6.625") D: 22.3mm (0.875")</p>	<ul style="list-style-type: none"> <li>• Receives remote IR signal from any Sivoia QED handheld infrared remote controls</li> <li>• Available in White (WH) and Royal Plum (RP)</li> <li>• Optional 3m extension cable available</li> <li>• Use only one IR receiver per room</li> </ul>

## DESCRIPTION

## FUNCTIONS

**HWI-Q96**  
HWI-Q96  
interface for  
Sivoia QED and  
HomeWorks™

Product dimensions  
W: 79.4mm (3.125")  
H: 142.2mm (5.60")  
D: 50.8mm (2.00")

- Provides two-way communication between HomeWorks and Sivoia QED systems
- Compatible with 4 series and 8 series HomeWorks processors
- A low-voltage component that can be placed in any HomeWorks HWI-LV17, HWI-LV24, or HWI-LV32 enclosures
- Operate all EDUs, groups of EDUs, or single EDUs from HomeWorks keypads or RS-232 port on HWI processor



**SG-SVC**<sup>1</sup>  
GRAFIK Systems™  
control for  
Sivoia QED

Product dimensions  
W: 73mm (2.875")  
H: 117.5mm (4.625")  
D: 28.7mm (1.13")

- Provides two-way communication between GRAFIK Eye™ 3000 or GRAFIK Eye 4000 Sivoia QED system
- Allow one zone on the Grafik Eye main unit for each SG-SVC
- Does not occupy a Grafik Eye main unit address or accessory control address
- Operates all Sivoia QED EDUs on the communication link
- Uses one of the eight blind control addresses



**SO-SVC**<sup>1</sup>  
GRAFIK Systems™  
control for  
Sivoia QED

Product Dimensions  
W: 73mm (2.875")  
H: 117.5mm (4.625")  
D: 28.7mm (1.13")

- Provides two-way communication between GRAFIK 5000™, GRAFIK 6000™ or GRAFIK 7000™ Sivoia QED system
- Occupies one address on wallstation link
- Operates all Sivoia QED EDUs on the communication link

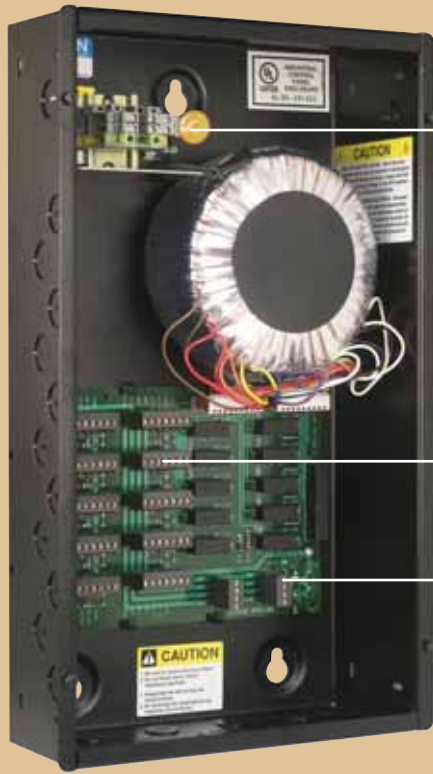


### Footnote<sup>1</sup>

Available in insert (I) and non-insert (N) style and mount in Lutron-supplied backboxes.



# Lutron® | Sivoia QED™ power panel



Line voltage wiring terminal

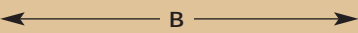
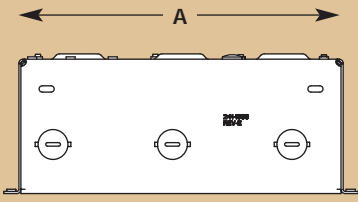
Power and communication terminals for up to 10 EDUs

Two additional communication terminals

## Sivoia QED power panel SVQ-10-PNL-230

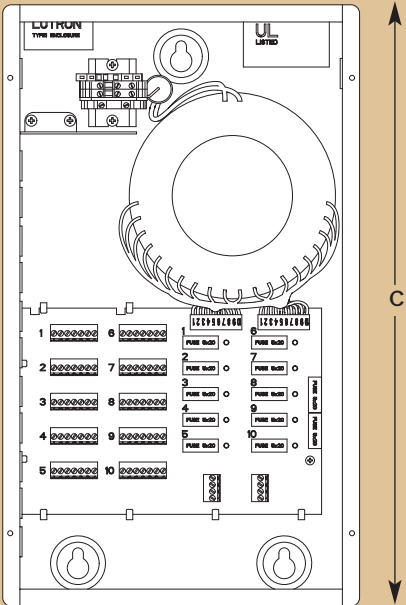
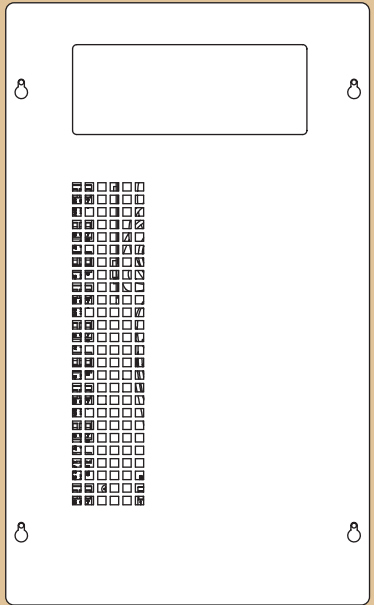
Provides power and communication wiring for up to 10 Sivoia QED drives. Utilise a custom seven-conductor combination communication/power cable (SVQ-CBL-250) or specify separate power and communication wiring. See the Sivoia QED technical reference guide (p/n 367-592/EA).

Panel shown with cover removed

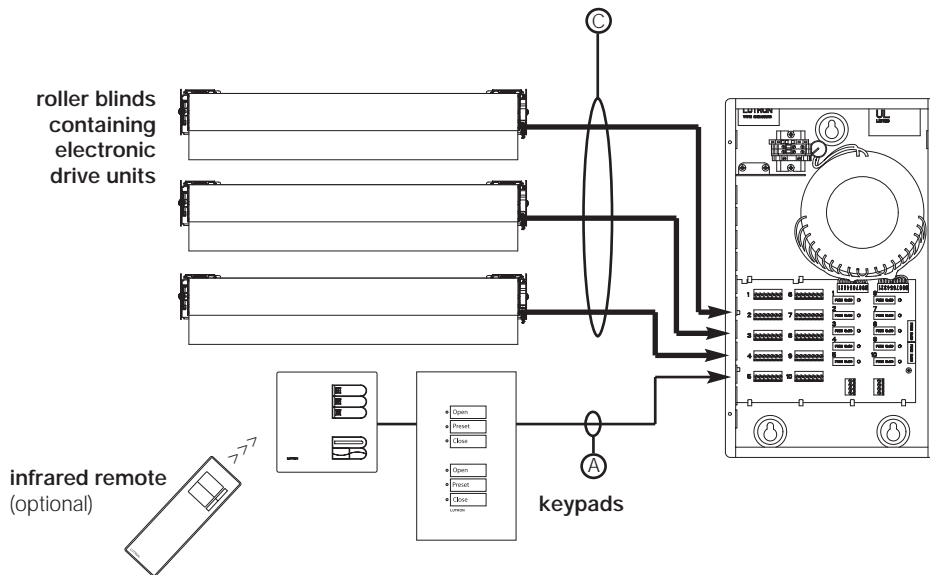


### Dimensions

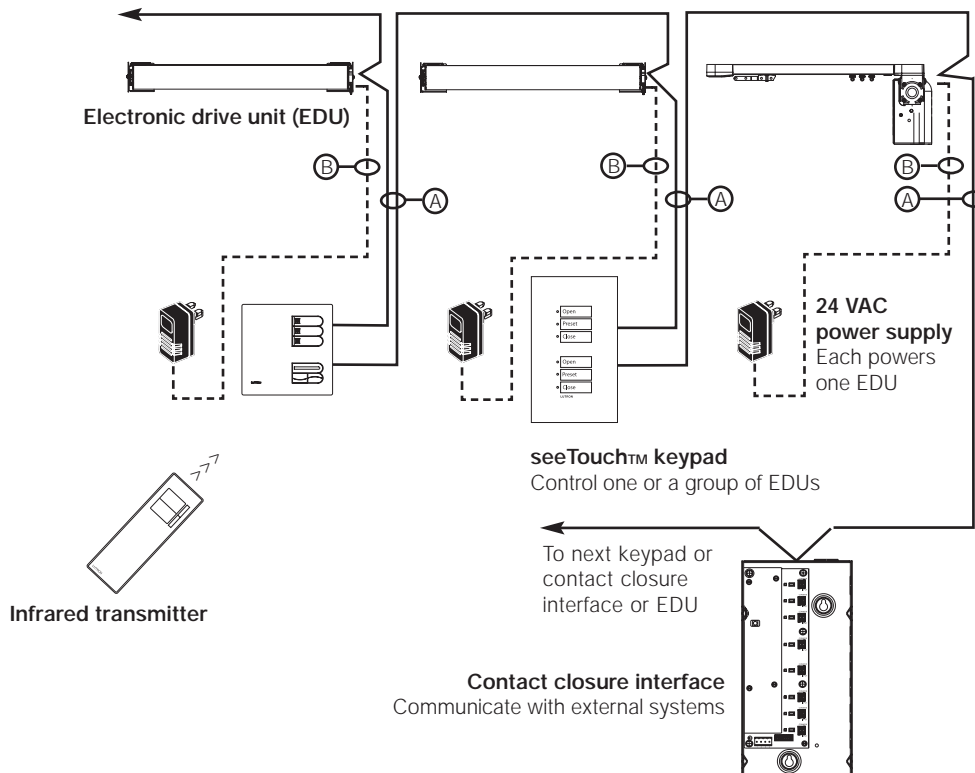
- A. 241.3mm (9.50")
- B. 261.6mm (10.30")
- C. 444.5mm (17.50")
- D. 99mm (3.90")



## System utilising Sivoia QED Power Panel



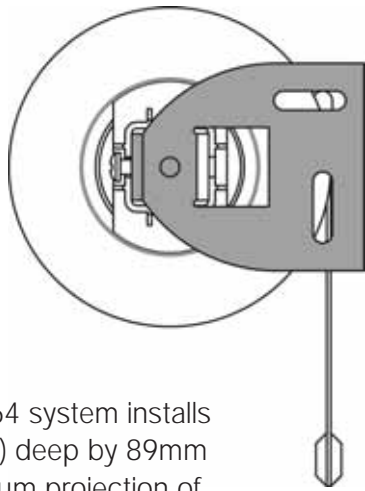
## System utilising individual transformers



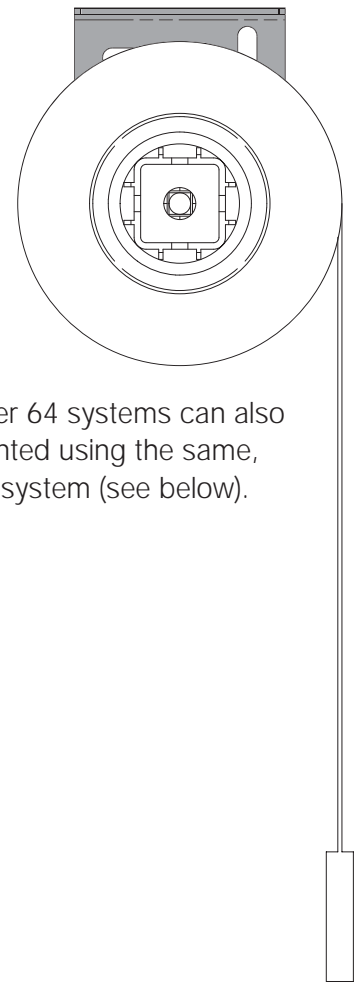
(A)	Communications link	4 conductors	————
(B)	Power wires	3 conductors	- - - - -
(C)	SVQ-CBL-250	7 conductors	—————

### Power/communications panel (optional)

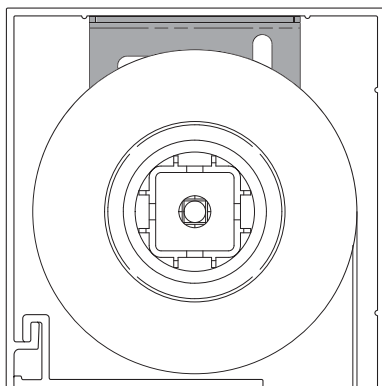
- Communicates seamlessly with Lutron lighting control systems
- Each panel provides power for up to 10 Sivoia QED electronic drive units (EDUs)
- Sivoia QED blinds may also be powered by individual transformers
- Link up to 96 total devices (including EDUs, keypads and CCIs)
- CCI (contact closure input) panels are available to connect to outside systems such as BMS or touchscreen systems.



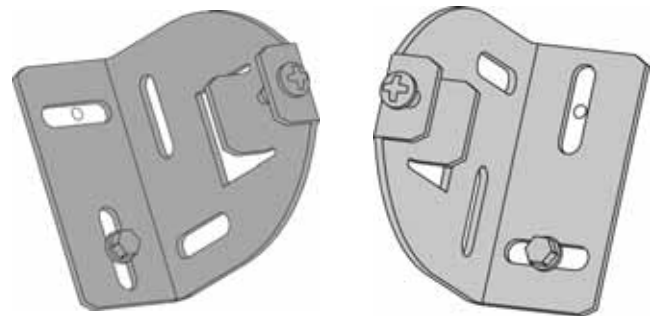
The Sivoia QED roller 64 system installs in a space 89mm (3.5") deep by 89mm (3.5") high. The maximum projection of roll width from the wall is 84mm (3.3"). This would represent a full 5.59 sq. m (64 square feet) of 0.94mm (.037") thick fabric.



Sivoia QED roller 64 systems can also be ceiling-mounted using the same, simple bracket system (see below).



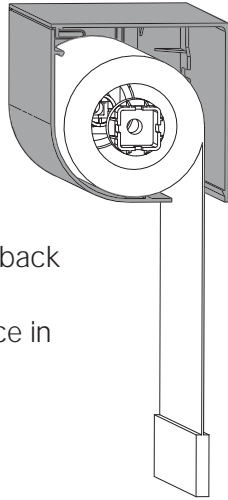
Lutron offers a 89mm x 89mm (3.5" x 3.5") head box.



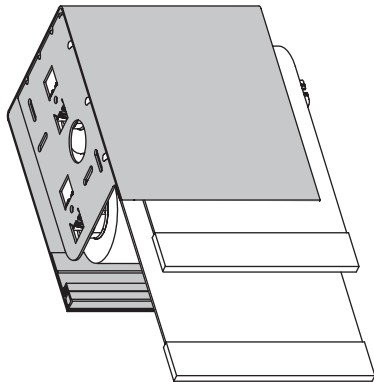
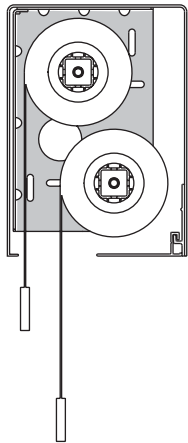
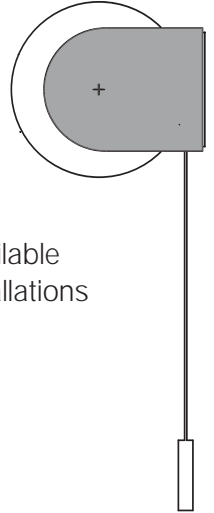
The Sivoia QED roller 64 system uses one simple set of brackets for any installation (jamb, wall and ceiling). During installation, each side of the blind can be adjusted both horizontally and vertically as well as in its projection off the wall (using spacers provided).



Specify a curved fascia and top/back cover for jamb, wall, or ceiling installations and minimal presence in the window frame.

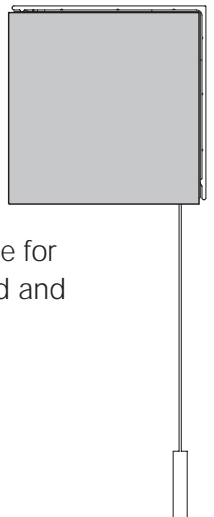


Simple, elegant end caps are available for the roller blind system for installations where the roller is visible.

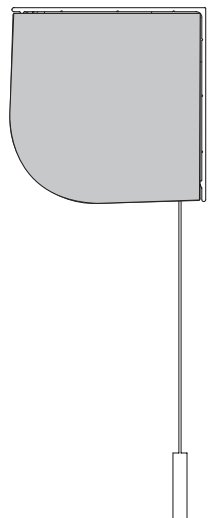


Install both a sheer and a blackout blind in one window using this dual mounted bracket system for Sivoia QED roller 64 blinds.

Square end caps are also available for blinds where head boxes are used and the system is still visible.



When selecting the curved fascia (above, left), choose a finishing curved end cap.

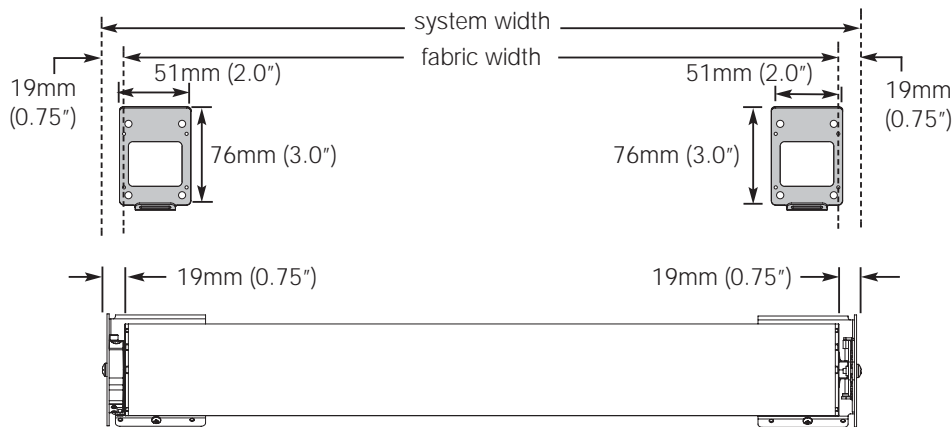
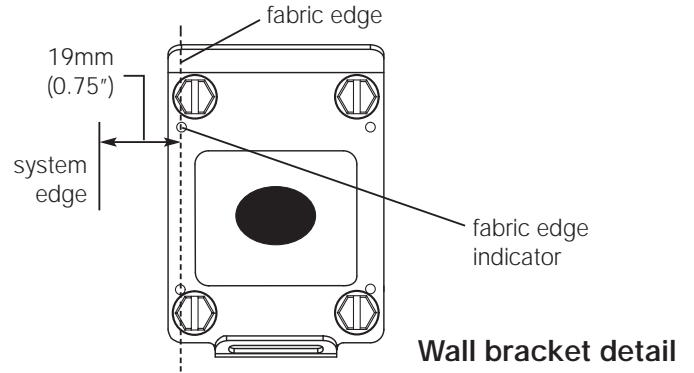


## System dimensions | roller 100

The Sivoia QED™ system requires minimal space and installs in one of four variations: ceiling mount, wall mount, jamb mount or dual mount.

The roller 100 system utilises a 63.5mm (2.5") roller tube to operate up to 10m<sup>2</sup> (100 square feet) of fabric.

Symmetrical light gaps 16mm (0.625") minimum, 19mm (0.75") typical.



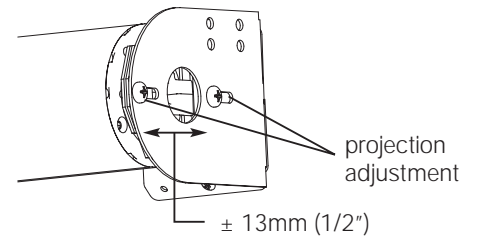
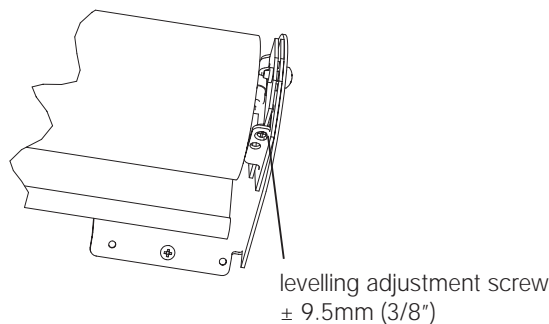
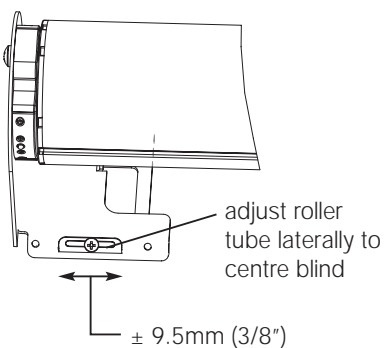
## Blind centring and levelling

Sivoia QED brackets employ a two-piece design to maximise ease and flexibility of installation. The bracket laterally adjusts the roller blind after installation to ensure a centred installation. Roller blinds can also be levelled easily without re-mounting the bracket.

### Projection adjustment

The Sivoia QED bracket allows for projection adjustment of the roller tube during and after installation.

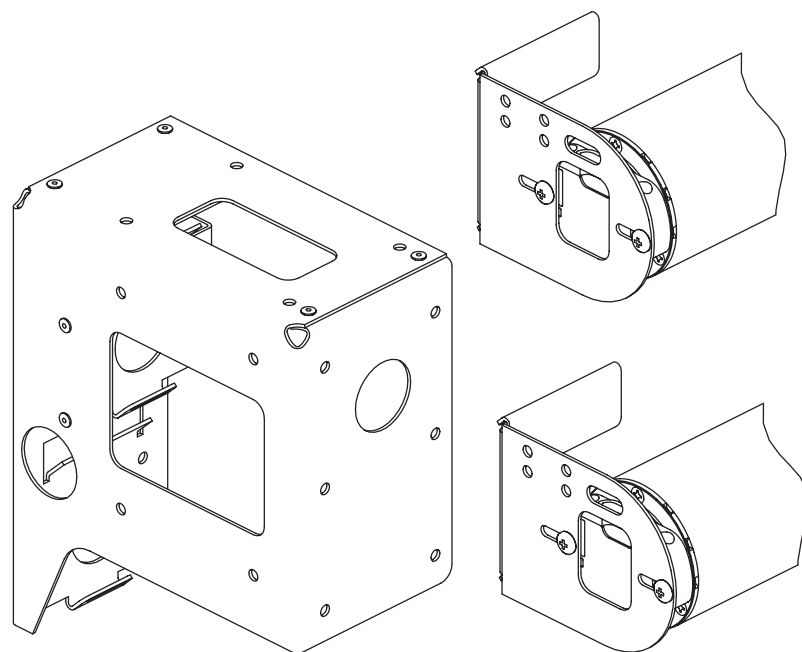
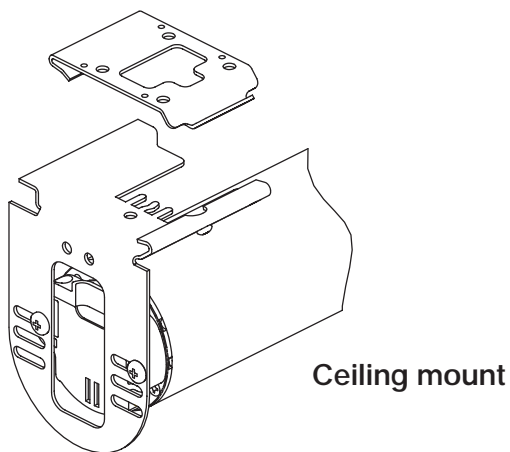
Up to 13mm (0.50") projection adjustment



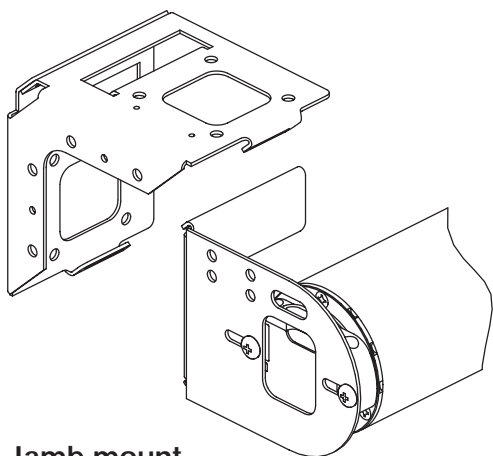
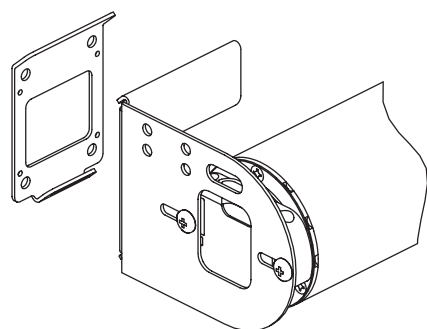
## Bracket design benefits

Proprietary bracket designs for various applications include:

- Wall mount (outside window frame)
- Jamb mount (inside window frame)
- Ceiling mount (inside window frame or in a pocket)
- Dual mount (two fabrics in one window)



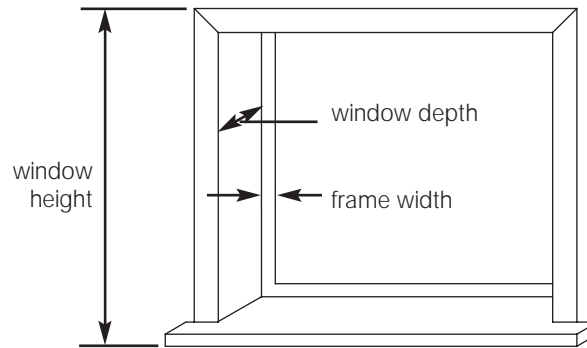
A common roller blind application is the use of two fabrics on one window, typically a sheer and a blackout. Fabric unrolls closest to the glass.



## Step 1

Access window opening:  
How will blind be installed

- External
- Internal



## Step 2

Specify system dimensions

### Blind

\_\_\_\_\_ Height

\_\_\_\_\_ Width

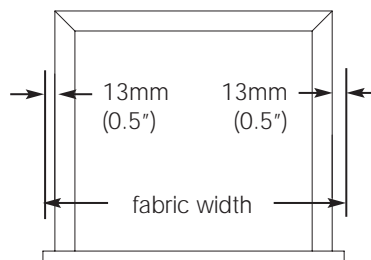
### Window

\_\_\_\_\_ Height

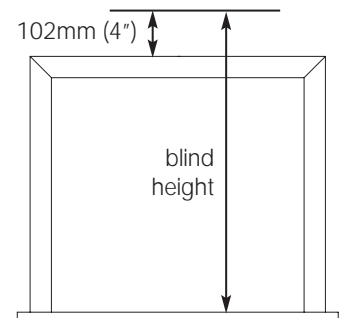
\_\_\_\_\_ Width

If external, recommended blind measurement

Measure width



Measure height



### Note:

Final measurements must be confirmed by installer at the job site before fabrication of roller blinds. See technical reference guide for more information (P/N 367-592/EA).

## Step 3

Specify drive location for pre-wiring  
and roll of fabric

Drive location detail

- Left       Right
- To be determined

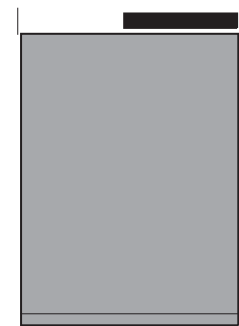
Fabric roll detail

- Regular     Reverse
- To be determined

Drive location



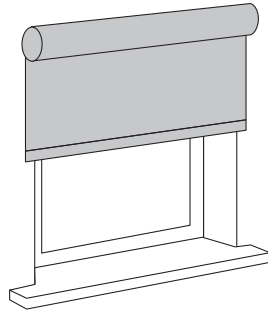
Left



Right

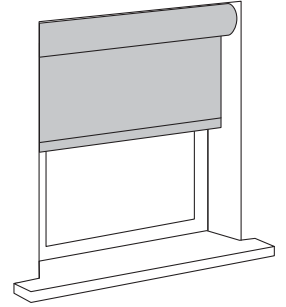
### External installation – above the window

- A shallow window depth
- A narrow or non-existent window sash
- A valance, cornice or other top treatment
- Soffit, or other architectural detail to recess blind



### Internal installation – within the window

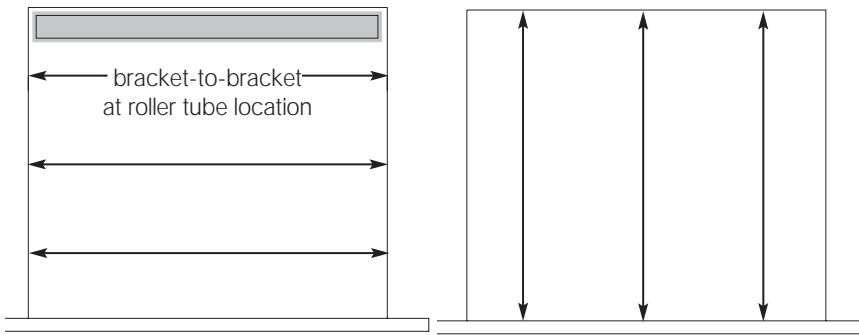
- A window depth with at least 114mm (4.5")
- A sash width of at least 25mm (1.0")



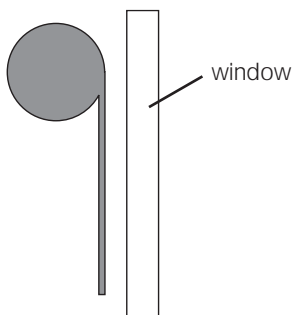
### If internal, recommended blind measurement

Measure width

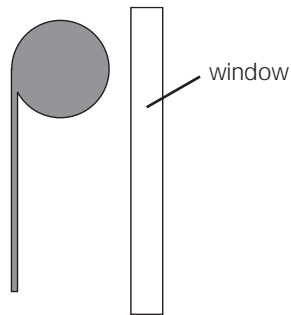
Measure height



### Fabric roll



Regular



Reverse



## Step 4 Select operator and mounting condition

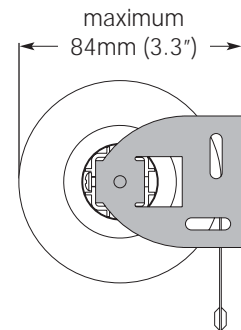
### Operator

- roller 64
- roller 100

### Mounting condition

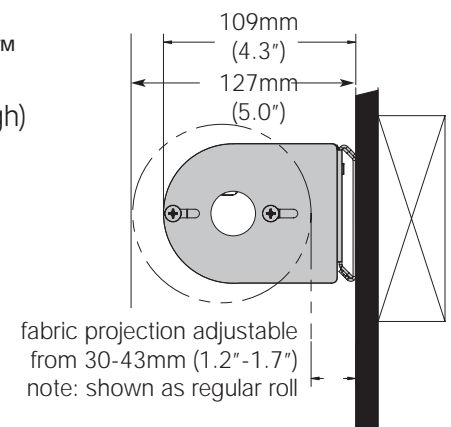
- Wall
- Ceiling
- Jamb
- Dual

**Sivoia QED roller 64™**  
(windows up to  
2.44m wide x 2.44m high)



Wall mount

**Sivoia QED roller 100™**  
(windows up to  
3.05m wide x 3.05m high)



Wall mount

## Step 5 Select control options

- \_\_\_\_\_ Keypad
- \_\_\_\_\_ IR transmitter
- \_\_\_\_\_ IR receiver

### Integration

- HomeWorks™
- GRAFIK Eye™
- GRAFIK Systems™

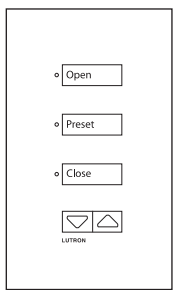
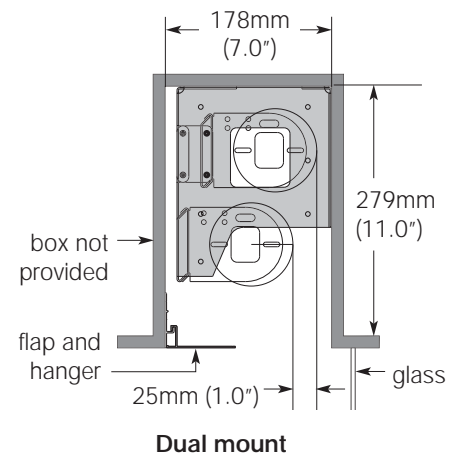
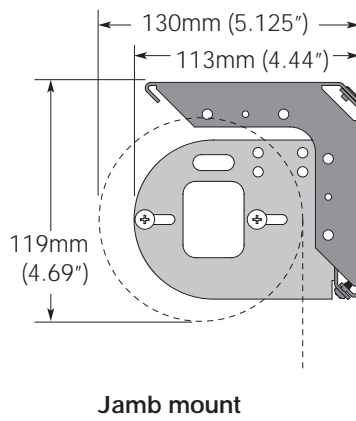
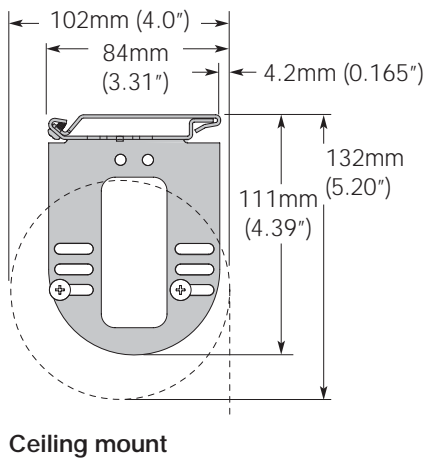
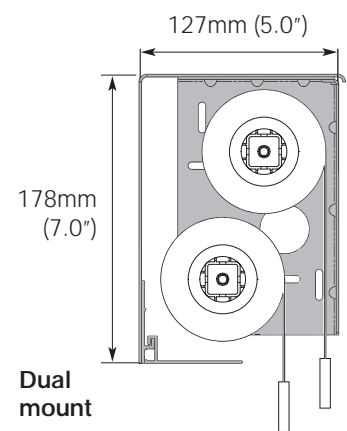
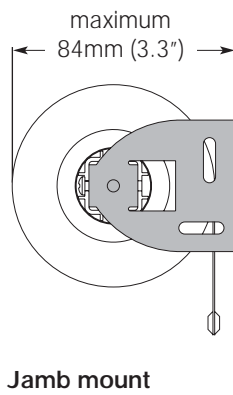
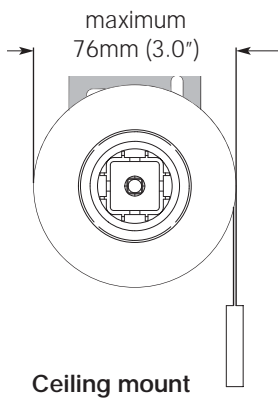
Sivoia QED™ can be controlled by a wide range of elegant keypads, hand-held remotes or by Lutron® lighting controls for seamless integration to control all the light in any space.

See pg 10-15 for a full selection of Sivoia QED wall controls and interfaces for Lutron lighting control systems

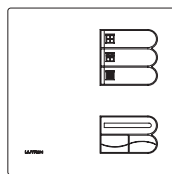
## Step 6

Work with your local fabricator to determine what other specifications are required including: fabric selection, weight capacity and compatibility, lineals or side channels for black-out installations, fascia, pockets, etc.

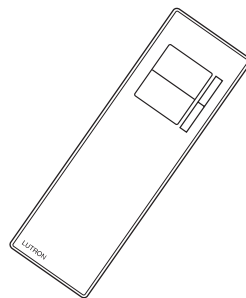
All measurements must be confirmed by your local fabricator.



SQA-3R



SQE-3EN



SV-OCIT



GRX-350X

For more information,  
please contact your local  
Lutron fabricator.

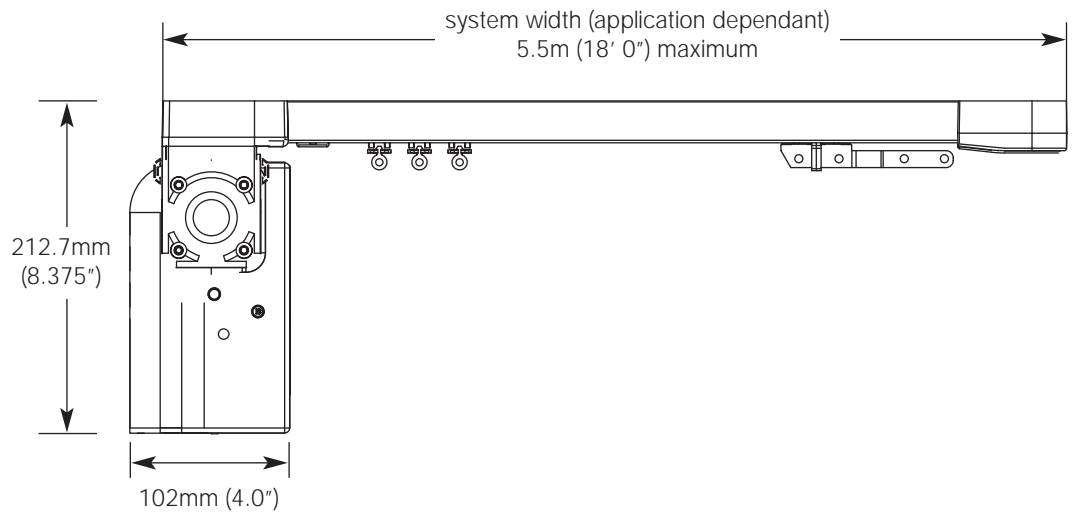
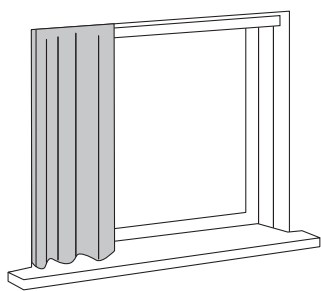


# curtain track | system dimensions

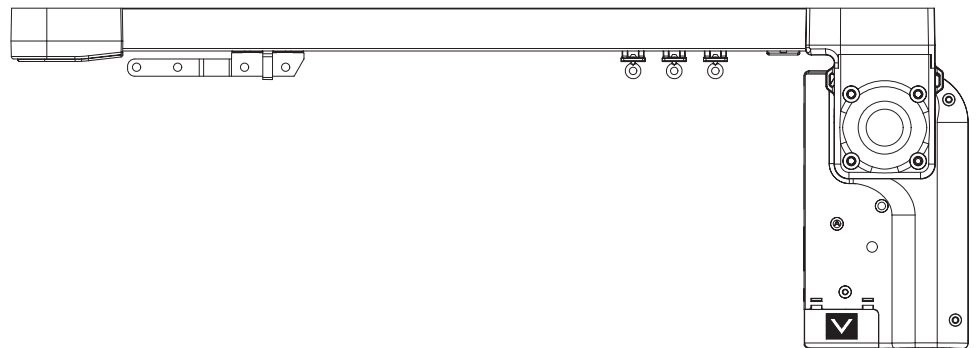
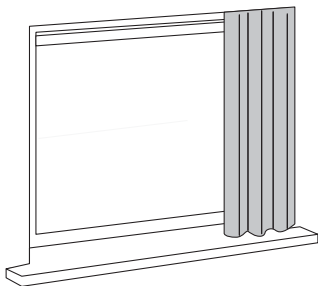
## Straight track mounting options

Specify left draw, right draw or centre draw curtain track systems.

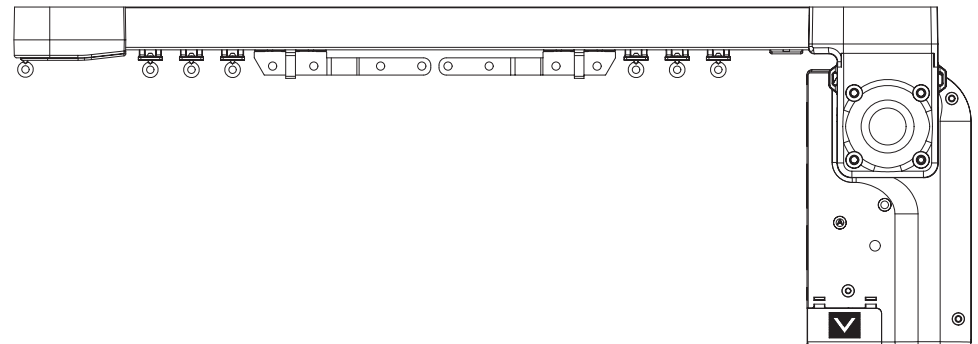
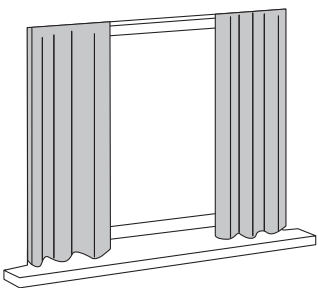
### Left draw system



### Right draw system



### Centre draw system



# curtain track | capacity

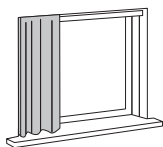
## Straight track capacity – curtain size

Use this chart to determine the maximum fabric size the Sivoia QED™ curtain system can operate, based upon height and weight.

	Typical sheer curtain	Typical blackout curtain with lining		Heavy speciality fabrics
Height	136g/m <sup>2</sup> (4oz/yd <sup>2</sup> ) Total fabric weight	406g/m <sup>2</sup> (12oz/yd <sup>2</sup> ) Total fabric weight	542g/m <sup>2</sup> (16oz/yd <sup>2</sup> ) Total fabric weight	813g/m <sup>2</sup> (24oz/yd <sup>2</sup> ) Total fabric weight
1.83m (72")	Up to 5.5m (18') w	Up to 5.5m (18') w	Up to 4.5m (15') w	Up to 3.6m (12') w
2.44m (96")	Up to 5.5m (18') w	Up to 5.5m (18') w	Up to 4.5m (15') w	Up to 2.1m (7') w
3.65m (144")	Up to 5.5m (18') w	Up to 4.2m (14') w	Up to 2.7m (9') w	N/A

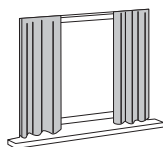
## Straight track capacity – curtain weight

Use this chart to determine the maximum fabric weight the Sivoia QED curtain system can operate, based upon system width.



### Single electronic drive system

Width	0.9-2.7m (3'-9')	3-3.9m (10'-13')	4.2-5.5m (14'-18')
Weight	36.3 kg (80 lbs)	31.8 kg (70 lbs)	27.2 kg (60 lbs)



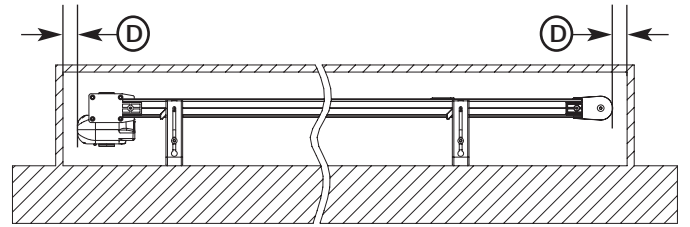
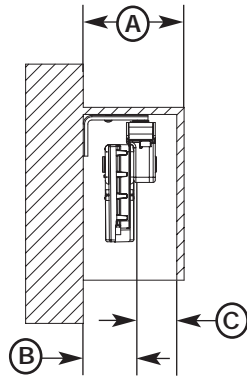
### Split tandem system

Width	1.8-5.5m (6'-18')	5.8-7.9m (19'-26')	8.2-11m (27'-36')
Weight for both panels	72.6 kg (160 lbs)	63.5 kg (140 lbs)	54.4 kg (120 lbs)

# curtain track | system installation

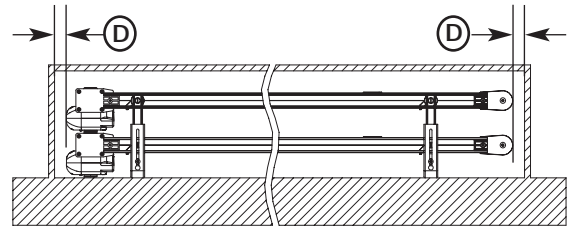
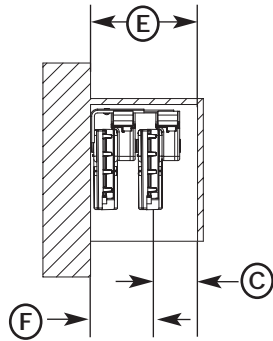
## Single

- (A) 139.7mm (5.5")
- (B) 88.9mm (3.5")
- (C) 50.8mm (2.0")
- (D) 25.4mm (1.0")



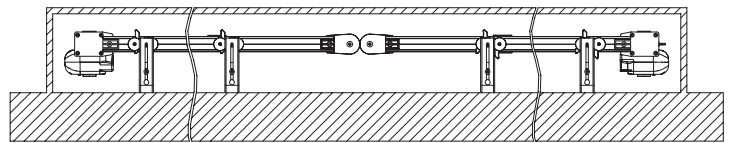
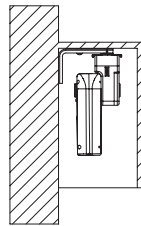
## Dual

- (C) 50.8mm (2.0")
- (D) 25.4mm (1.0")
- (E) 235.0mm (9.25")
- (F) 184.2mm (7.25")



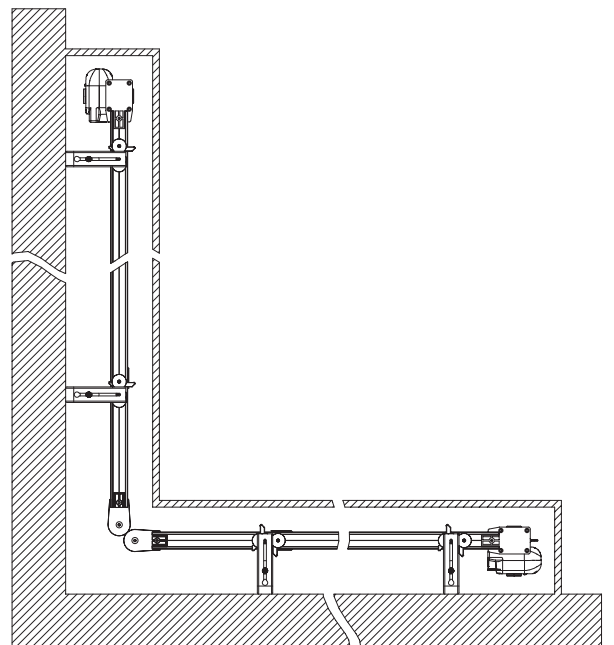
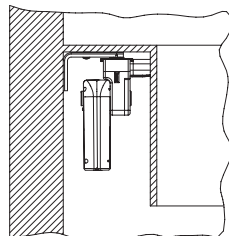
## Tandem

Same dimensions as single track system



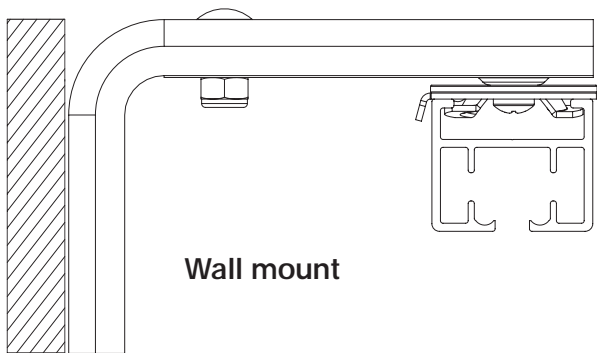
## Corner

Same dimensions as single track system

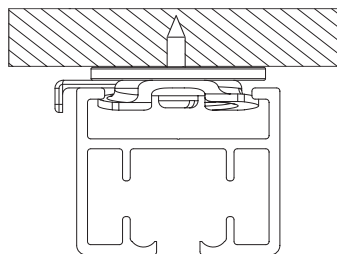




# curtain track | installation and fabric assembly



Wall mount

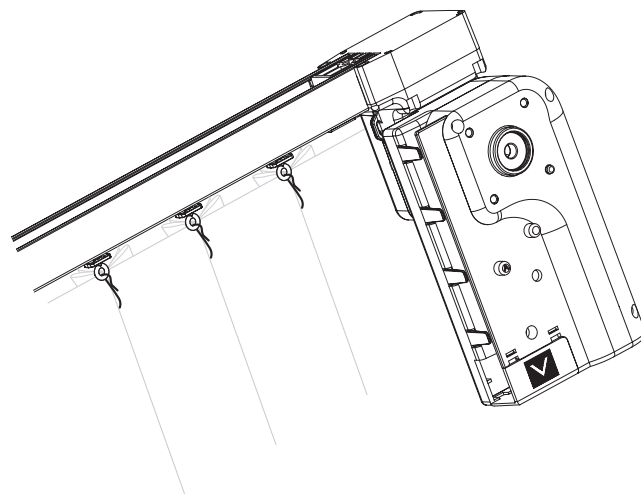
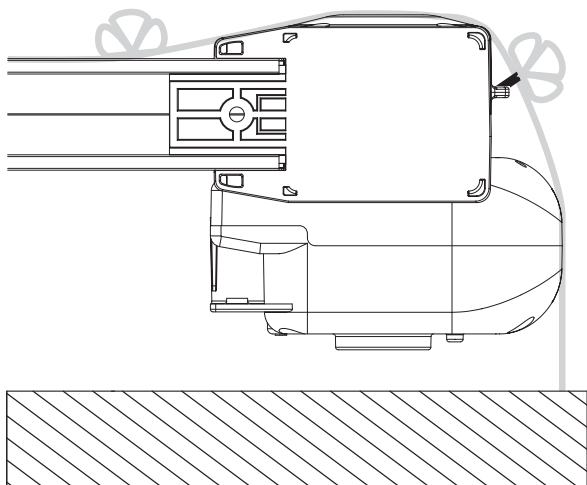
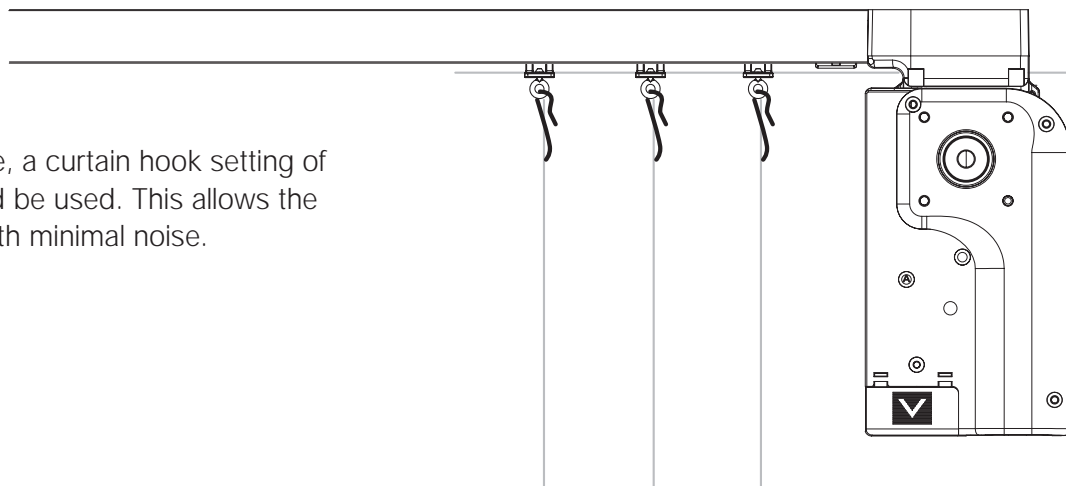


Ceiling mount

Sivoia QED™ curtain track systems can be mounted to the wall or to the ceiling.

## Curtain hook assembly

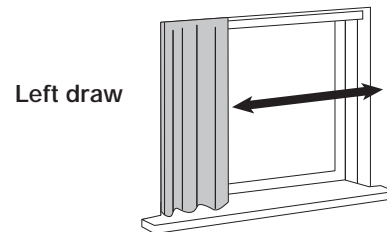
For best performance, a curtain hook setting of 12.7mm (0.5") should be used. This allows the system to operate with minimal noise.



## Step 1

### Specify curtain draw

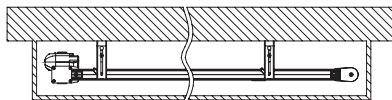
- Left draw
- Right draw
- Centre draw



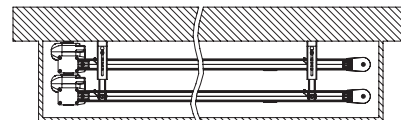
## Step 2

### Specify track type

- Single
- Dual
- Tandem
- Dual/tandem



Single

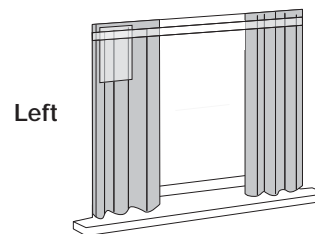


Dual

## Step 3

### Specify drive location

- Drive location
- Left
  - Right
  - Left and right



## Step 4

### Specify system dimensions and colour

- \_\_\_\_\_ System width
- \_\_\_\_\_ Estimated opening size
- \_\_\_\_\_ Approximate stack back

#### Track colour

- Bronze
- Clear anodised
- White



#### Note:

Final measurements must be confirmed at the job site before fabrication of curtain track. See technical reference guide for more information (P/N 367-592/EA).

## Step 5

### Select control

- \_\_\_\_\_ Keypad
- \_\_\_\_\_ IR transmitter
- \_\_\_\_\_ IR receiver

#### Integration

- HomeWorks™
- GRAFIK Eye™
- GRAFIK System™

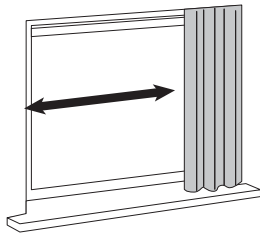
Sivoia QED™ can be controlled by a wide range of elegant seeTouch™ keypads, hand-held remotes or by Lutron® lighting controls for seamless integration to control all the light in any space.

See pg 10-15 for a full selection of Sivoia QED wall controls and interfaces for Lutron lighting control systems

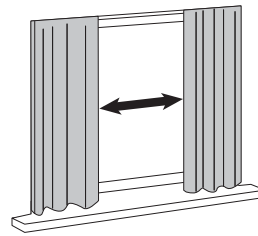
## Step 6

Work with your local fabricator to determine what other specifications are required including: fabric selection, weight capacity and compatibility, lineals or side channels for black-out installations, fascia, pockets, etc.

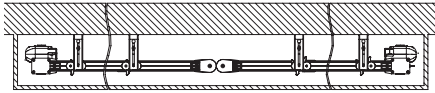
All measurements must be confirmed by your local fabricator.



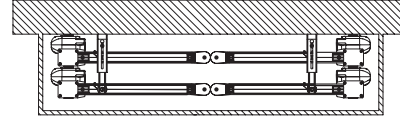
Right draw



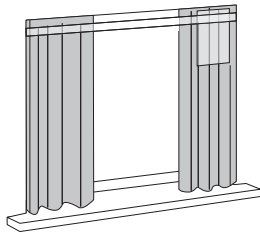
Centre draw



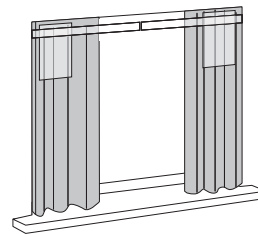
Tandem



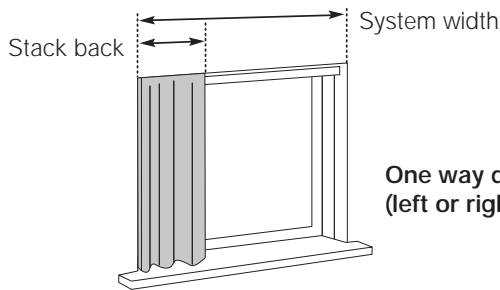
Dual/tandem



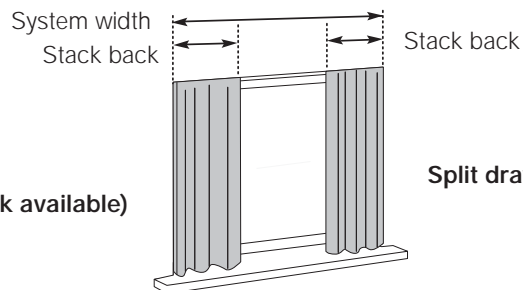
Right



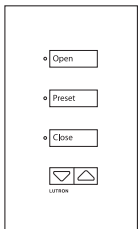
Left and right



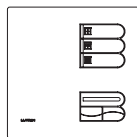
One way draw  
(left or right stack available)



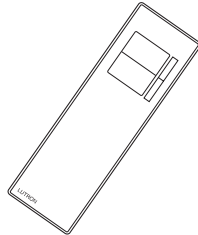
Split draw



SQA-3R



SQE-3EN



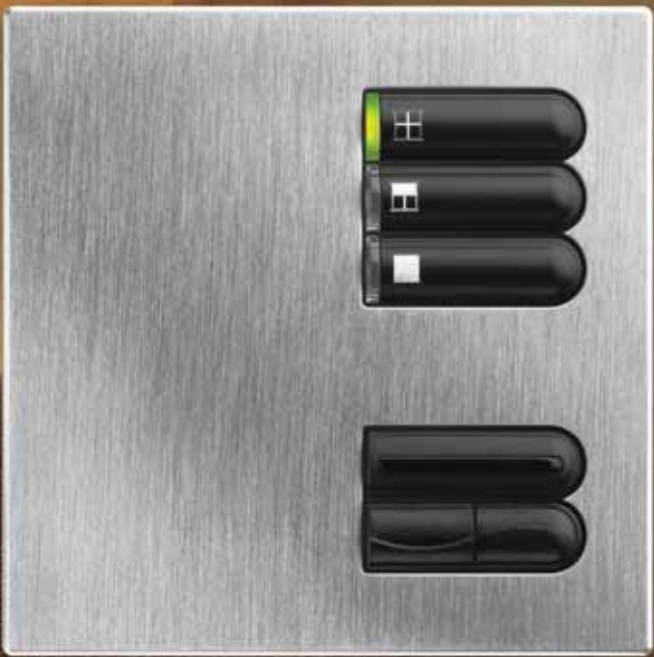
SV-OCIT



GRX-350X

For more information,  
please contact your  
local Lutron fabricator.











### Worldwide headquarters

Lutron Electronics Co., Inc.  
7200 Suter Road  
Coopersburg, PA 18036  
USA  
TEL: +1-610-282-3800  
FAX: +1-610-282-1243  
intsales@lutron.com

### European headquarters

Lutron EA Ltd.  
6 Sovereign Close  
London, E1W 3JF  
UK  
TEL: +44-(0)20-7702-0657  
FAX: +44-(0)20-7480-6899  
FREEPHONE: 0800-282-107  
lutronlondon@lutron.com

### International offices

#### Brazil

Lutron BZ do Brasil Ltda.  
AV. Brasil, 239  
Jardim América  
São Paulo - SP  
CEP: 01431-001  
Brazil  
TEL: +55-11-3885-5152

#### China, Beijing

Lutron GL Ltd. Beijing  
Representative Office  
5th Floor, China Life Building  
No. 16 Chaowai St.  
Chaoyang District  
Beijing 100020 PRC  
TEL: +86-10-5877-1817  
FAX: +86-10-5877-1816  
lutronchina@lutron.com

#### China, Hong Kong

Lutron GL Ltd.  
Rm 2808, 28/F,  
248 Queen's Road East,  
Wanchai, Hong Kong  
TEL: +852-2104-7733  
FAX: +852-2104-7633  
lutronhk@lutron.com

#### China, Shanghai

Lutron GL Shanghai  
Representative Office  
39F, Suite 07  
Plaza 66  
1266 Nan Jing West Road  
Shanghai, 200040 PRC  
TEL: +86-21-6288-1473  
FAX: +86-21-6288-1751  
lutronchina@lutron.com

#### France

Lutron Ltc, S.A.R.L.  
90 rue de Villiers  
92300 Levallois-Perret, France  
TEL: +33-(0)1-41-05-42-80  
FAX: +33-(0)1-41-05-01-80  
lutronfrance@lutron.com

#### Germany

Lutron Electronics GmbH  
Landsberger Allee 201  
13055 Berlin, Germany  
TEL: +49-309-710-4590  
FAX: +49-309-710-4591  
lutrongermany@lutron.com

#### Italy

Lutron LDV S.r.l.  
FREEPHONE: 800-979-208  
lutronitalia@lutron.com

#### Japan

Lutron Asuka Co. Ltd  
No. 16 Kowa Building, 4F  
1-9-20, Akasaka, Minato-ku  
Tokyo 107-0052 Japan  
TEL: +81-3-5575-8411  
FAX: +81-3-5575-8420  
asuka@lutron.com

#### Singapore

Lutron GL Ltd.  
6A Upper Cross Street  
Singapore 058326  
TEL: +65-6220-4666  
FAX: +65-6220-4333  
lutronsea@lutron.com

#### Spain, Barcelona

Lutron CC, S.R.L.  
Gran Via Carlos III, 84, planta 3<sup>a</sup>  
08028 Barcelona, Spain  
TEL: +34-93-496-57-42  
FAX: +34-93-496-57-01  
lutroniberia@lutron.com

#### Spain, Madrid

Lutron CC, S.R.L.  
Calle Orense, 85  
28020 Madrid, Spain  
TEL: +34-91-567-84-79  
FAX: +34-91-567-84-78  
lutroniberia@lutron.com



[www.lutron.com](http://www.lutron.com)

©2005 Lutron Electronics Co., Inc. Made and printed in the UK.  
09/05 P/N 367-978/EA