

Sivoia QED[®] | specification guide

Architectural shading solutions



roller blinds | skylight blinds | curtain track systems

SIVOIA QED®



CONTENTS

SIVOIA QED

- 02 | Transforming daylight
- 03 | Shading systems product line
- 04 | Innovations in daylight control
- 05 | Electronic Drive Unit
- 06 | Blind Configuration Tool (The SCT)

ROLLER BLINDS

- 08 | System selection guide
- 10 | Roller blinds overview
- 12 | roller 20™
- 14 | roller 64™
- 16 | roller 100™
- 22 | roller 225™
- 24 | roller 200CW
- 28 | Bottom bar options

SKYLIGHT BLIND

- 30 | System selection guide
- 32 | System overview
- 33 | Mounting options
- 34 | Angles of installation
- 35 | Measuring instructions

CURTAIN TRACK

- 38 | System selection guide
- 40 | System overview
- 41 | Mounting options
- 42 | System installation
- 43 | Curved curtain track
- 44 | Track splicing
- 45 | Manual open feature
- 46 | Pinch pleat curtain panels
- 47 | Ripplefold curtain panels
- 48 | System capacities



CONTROLS

- 50** | seeTouch® keypads
- 51** | seeTouch keypads colour options
- 52** | International seeTouch control options
- 54** | seeTouch control options
- 56** | Euro-style control options
- 57** | IR remote control
- 60** | Lutron® dimmers
- 62** | Lutron accessories

WIRING

- 64** | Wiring overview
- 65** | Individual transformers
- 66** | Power panel
- 67** | Power panel wiring diagram
- 68** | Lutron supplied cable

INTEGRATION

- 70** | Residential
- 71** | Commercial
- 72** | Lighting control interfaces

SPECIFICATION TOOLS

- 74** | Specification tools
- 76** | Specification overview

SIVOIA QED® | TRANSFORMING DAYLIGHT



Residential



Commercial

Lutron® has been the world's leading manufacturer of lighting control systems for more than 45 years. Now, Lutron has opened up a new world of possibilities by seamlessly integrating electric and daylight control systems with a focus on innovation, world-class engineering, and customer service. Lutron blends technology with design and environmental sensitivity to provide the ideal solution for any specification.

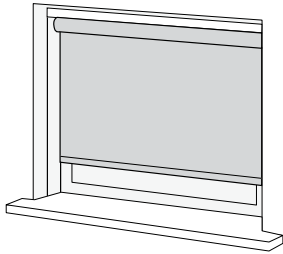
APPLICATIONS

RESIDENTIAL

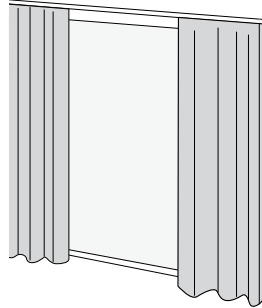
A Sivoia QED system allows a homeowner to have convenient control of daylight at the touch of a button. Enhance any room in your home with Sivoia QED ultra-silent operation.

COMMERCIAL

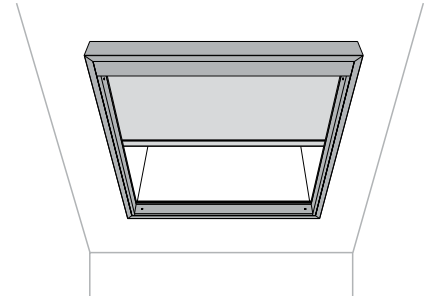
Increase comfort and productivity in the work environment. Sheer blinds preserve views while cutting glare and thermal heat gain. Blackout blinds block daylight at the touch of a button for A/V presentations.



Roller blinds



Curtain track systems



Skylight blinds

ROLLER BLINDS

Sivoia QED® roller blinds offer:

- Ultra-quiet operation
- Uniform, precision movement of multiple blinds
- Minimal, symmetrical light gaps
- Convenient one-touch control from elegant keypads and intuitive handheld remotes

All Sivoia QED systems can seamlessly integrate with Lutron lighting controls to manage all the light in any space, or with systems such as security or climate control to maximise the efficiency and versatility of any room or building.

CURTAIN TRACK SYSTEMS

Sivoia QED curtain track systems offer:

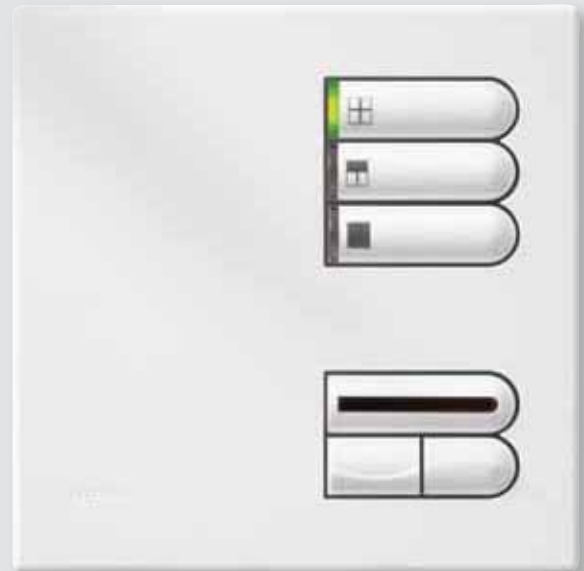
- Quiet, precise control of customer-supplied curtains
- Left-, right-, and centre-draw curtain track
- Single or dual curtain tracks available
- Straight and custom-curved tracks

SKYLIGHT BLINDS

The new skylight blind combines Sivoia QED technology with a new patent-pending tension system. Fabric is kept taut and parallel to skylight regardless of slope.

- Inside, recessed, and outside surface mounting options
- Light blocking fascia eliminates gaps around fabric when closed
- Pre-assembled shipping available to maximise installation convenience

SIVOIA QED® | INNOVATIONS IN DAYLIGHT CONTROL



Euro-style seeTouch® keypad (not actual size)

QUALITY AND PERFORMANCE

The Sivoia QED family of quiet electronic drives offers convenience at the touch of a button. Lutron® quiet electronic drive technology provides near-silent performance, operating roller blinds smoothly and in precise alignment.

ULTRA-QUIET ELECTRONIC DRIVE

The Sivoia QED drive operates roller blinds and curtains at a near-silent level rated at 44 dBA at 1 m.

INTELLIGENT CONTROL

The Sivoia QED electronic drive unit (EDU) optimises roller blind, skylight blind, and curtain track adjustment by offering programmable presets. Save and recall preset levels from an intuitive keypad. Additionally, roller blinds will move smoothly, in unison, and with exact alignment.

SIMPLIFIED INSTALLATION

The system can be configured and reprogrammed at the point of control without any rewiring, without access to the EDU, and without the use of a group controller. The Sivoia QED mounting brackets allow an installer to adjust the roller blind's level, projection, and side-to-side position, all after the roller blind has been installed.

INTEGRATION OF DAYLIGHT AND ELECTRIC LIGHT

Lutron lighting control systems work together with Sivoia QED controllable shading systems to offer complete control of all the light in any space. Adjust roller blinds and curtains as lights dim or brighten to generate light levels for any mood or activity.

SIVOIA QED® | ELECTRONIC DRIVE UNIT (EDU)

Communications circuit

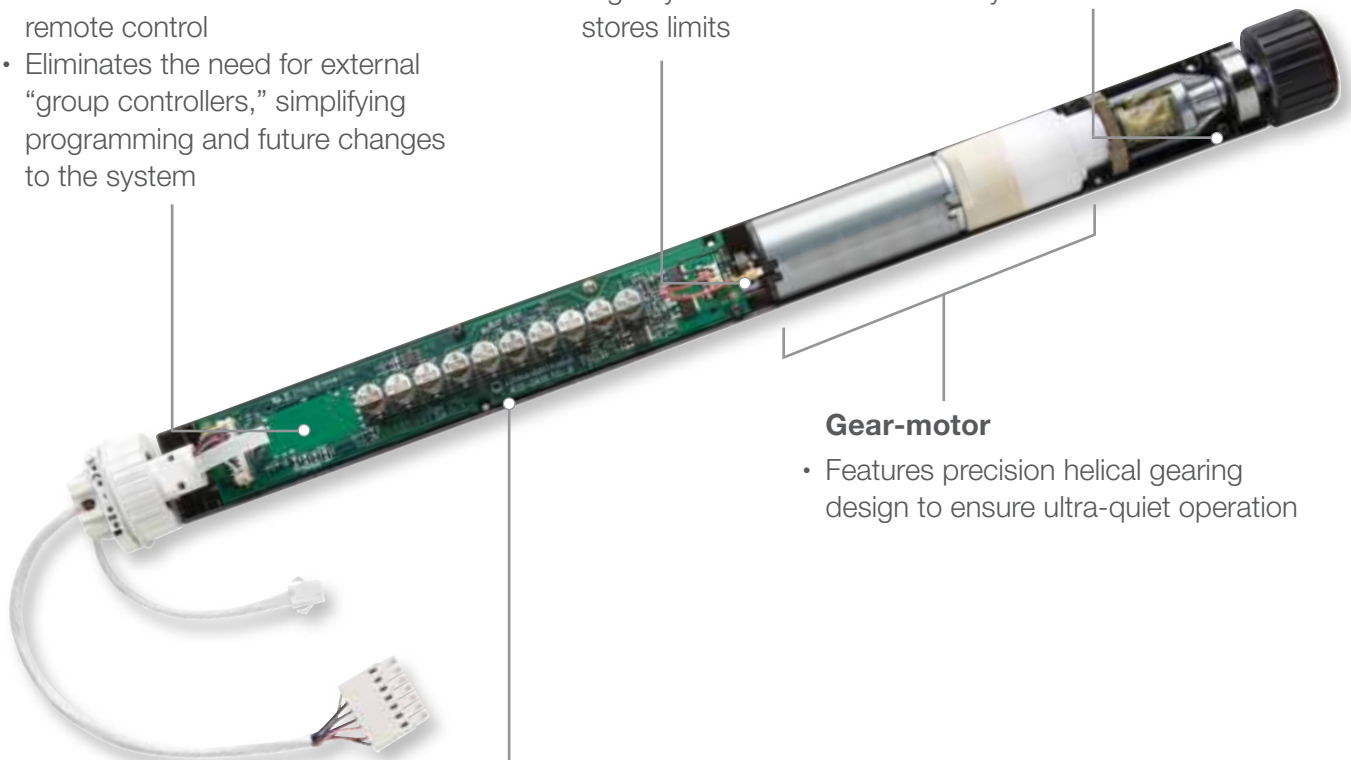
- Addresses, programs, and reconfigures the system from any system component: the EDU mounted in the ceiling, keypad installed in the wall or a handheld remote control
- Eliminates the need for external “group controllers,” simplifying programming and future changes to the system

Hall effect sensors

- Measures motor position to ensure roller blinds move in unison and in precise alignment
- Digitally sets and stores limits

Protection against electrostatic discharge

Provides safe, controlled discharge of potentially damaging static created by roller blind fabric

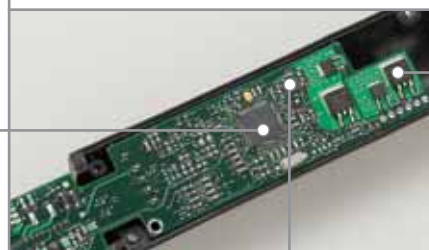


Gear-motor

- Features precision helical gearing design to ensure ultra-quiet operation

Electronic Drive Unit

(located inside roller blind and skylight blind tube)



Back of circuit board

Electronic drive circuit

- Variable-speed motor drive ensures silent, accurate control

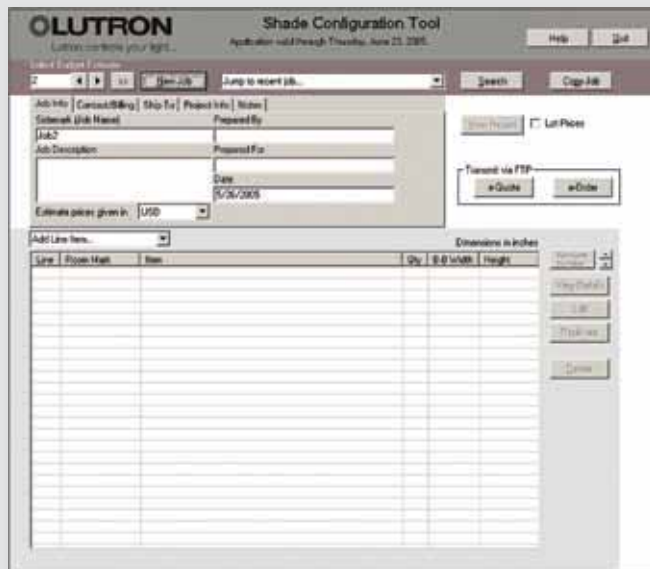
Microprocessor

- Provides smooth, consistent blind movement. Roller blinds align and track together.
- Eliminates audible starts and stops
- Stores precise, user-defined preset levels for each keypad

10-year power failure memory

Records motor movements to ensure that position is accurately saved even if the EDU is active when power is interrupted

LUTRON® | BLIND CONFIGURATION TOOL (THE SCT)



BLIND CONFIGURATION TOOL (THE SCT) SOFTWARE

This customer-acclaimed tool helps you accurately and quickly layout and price jobs, create project details for sign-offs, and create professional-looking proposals for customers. The SCT checks design rules as you go, ensuring that the shading system you design can be built to your specifications. The E-Quote and E-Order features allow quotes and orders to be submitted electronically.

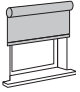
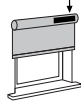
NEW THE SCT FEATURES

- **Addition of new products:**
Lutron continues to introduce new shading system product innovations. New products are available within the The SCT tool for easy quoting and ordering.
- **CAD drawings:**
CAD drawings are now available to print with The SCT reports in order to provide clients with a comprehensive job quote.

SIVOIA QED® | ROLLER BLINDS



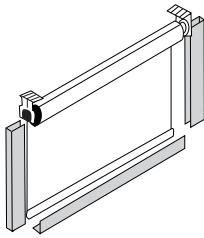



SIVOIA QED® | ROLLER BLIND SYSTEM SELECTION GUIDE

Determine how roller blind will be installed	Take system measurements	Specify drive location for pre-wiring
<ul style="list-style-type: none"> <input type="checkbox"/> Inside mount  <input type="checkbox"/> Outside mount  <input type="checkbox"/> Wall mount <input type="checkbox"/> Ceiling mount <input type="checkbox"/> Jamb mount <input type="checkbox"/> Pocket mount (Recess) 	<p>Roller blind size = system height _____ x system width _____ (bracket to bracket)</p> <p>Operator required:</p> <ul style="list-style-type: none"> <input type="checkbox"/> ROLLER 100™ For blinds up to 1.86 sq. m Minimum width: 470 mm Maximum width*: 1981 mm Maximum height*: 2400 mm <input type="checkbox"/> ROLLER 64™ For blinds up to 5.95 sq. m Minimum width: 470 mm Maximum width*: 2400 mm Maximum height*: 2400 mm <input type="checkbox"/> ROLLER 100™ For blinds up to 9.29 sq. m Minimum width: 610 mm Maximum width*: 3000 mm Maximum height*: 3000 mm <input type="checkbox"/> ROLLER 225™ For blinds up to 20.9 sq. m Minimum width: 803 mm Maximum width*: 4600 mm Maximum height*: 4600 mm 	<ul style="list-style-type: none"> <input type="checkbox"/> Left drive  <input type="checkbox"/> Right drive  <input type="checkbox"/> TBD <p>SPECIFY WIRING TOPOLOGY</p> <ul style="list-style-type: none"> <input type="checkbox"/> Individual transformers (recommended for installations requiring local wiring) <input type="checkbox"/> Power panel (recommended for installations requiring centralised wiring)

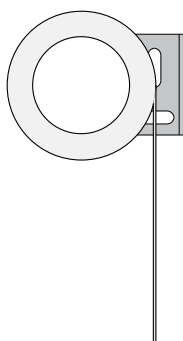
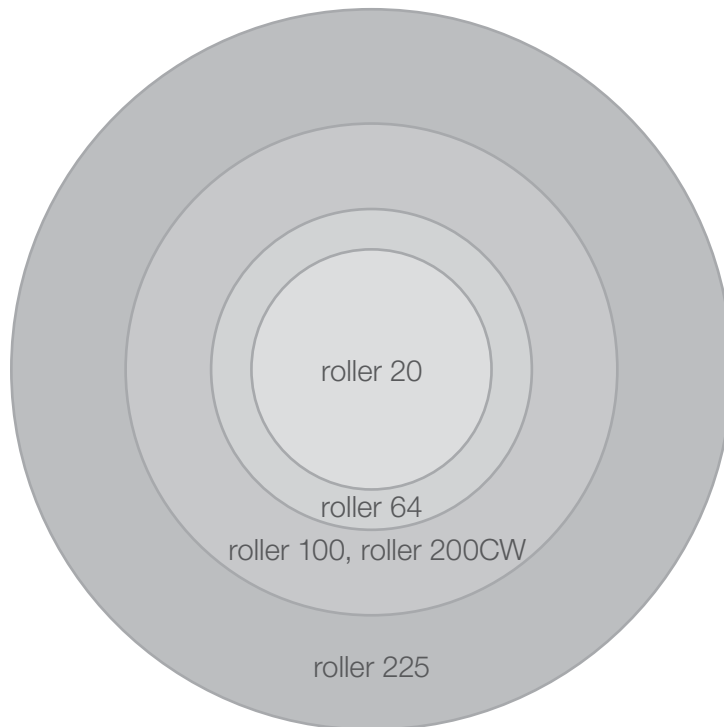
* Maximum roller blind size may vary based on fabric selection. Contact customer service or use The SCT for actual roller blind dimensions based on fabric type.

SIVOIA QED® | ROLLER BLIND SYSTEM SELECTION GUIDE

Specify fabric roll detail	Specify fabric	Specify lineal requirements	Specify control
<ul style="list-style-type: none"> <input type="checkbox"/> Regular (standard)  <ul style="list-style-type: none"> <input type="checkbox"/> Reverse  <p>(recommended for applications where objects such as handles or levers protrude from the window and may interfere with blind travel)</p> <ul style="list-style-type: none"> <input type="checkbox"/> TBD 	<ul style="list-style-type: none"> <input type="checkbox"/> SHEERBLIND® Fabrics feature open weaves, so sunlight is filtered while preserving the view <input type="checkbox"/> DIM-OUT These fabrics permit some light, but are not open weaves, so the view is limited to shapes and shadows <input type="checkbox"/> BLACKOUT These fabrics prevent all light from passing through the material <p>BOTTOM BAR</p> <ul style="list-style-type: none"> <input type="checkbox"/> Architectural <input type="checkbox"/> Sealed 	<ul style="list-style-type: none"> <input type="checkbox"/> Fascia <input type="checkbox"/> Pocket with flap <input type="checkbox"/> Flap and hanger only <input type="checkbox"/> Top back cover <p>Blackout options</p> <ul style="list-style-type: none"> <input type="checkbox"/> Side channels <input type="checkbox"/> Sill angle 	<p>FOR STANDALONE SYSTEMS:</p> <p>Keypad style:</p> <ul style="list-style-type: none"> <input type="checkbox"/> Architectural <input type="checkbox"/> Euro-style <input type="checkbox"/> International <p>Keypad configuration (refer to pg. 52):</p> <ul style="list-style-type: none"> <input type="checkbox"/> Open/close <input type="checkbox"/> Raise/Lower <input type="checkbox"/> Preset 1 <input type="checkbox"/> Preset 2 <input type="checkbox"/> Preset 3 <input type="checkbox"/> IR receiver <input type="checkbox"/> Dual blind control  <p>Colour (refer to pg. 51)</p> <ul style="list-style-type: none"> <input type="checkbox"/> Plastic colour _____ <input type="checkbox"/> Metal finish _____ <input type="checkbox"/> Infra-red transmitter <input type="checkbox"/> Dry contact input from third-party systems <p>FOR TOTAL LIGHTING CONTROL:</p> <ul style="list-style-type: none"> <input type="checkbox"/> GRAFIK Eye® (room control) <input type="checkbox"/> HomeWorks® (whole home control) <input type="checkbox"/> GRAFIK® systems (total building)

SIVOIA QED® | ROLLER BLIND OVERVIEW

Actual size
tube sizes

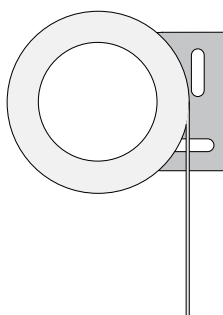


ROLLER 20 - PAGE 12

A slim profile and narrow width ideal for shallow residential window frames

Tube size: 32 mm diameter
Pocket size: 89 mm w x 89 mm h
Typical maximum size*: 1.86 sq. m

Minimum bracket-to-bracket width: 470 mm
Maximum bracket-to-bracket width*: 1981 mm



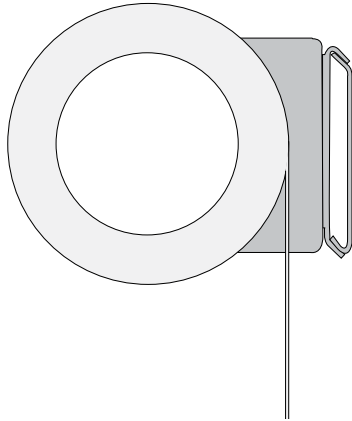
ROLLER 64 - PAGE 14

Ideal for small- to medium-sized windows

Tube size: 41 mm diameter
Pocket size: 89 mm w x 89 mm h
Typical maximum size*: 5.95 sq. m

Minimum bracket-to-bracket width: 470 mm
Maximum bracket-to-bracket width*: 2438 mm

* Larger roller blinds may be available based on fabric selection. Contact customer service or use the The SCT for actual roller blind dimensions based on fabric type.



ROLLER 100™ - PAGE 16

Designed for windows approximately 3048 mm wide

Tube size: 65 mm diameter

Pocket size: 121 mm w x 127 mm h

Typical maximum size: 9.29 sq. m

Minimum bracket-to-bracket width: 610 mm

Maximum bracket-to-bracket width*: 3048 mm

roller 200CW - page 24

Features gradual movement for large roller blinds and coupling capability for up to 6 fabric panels

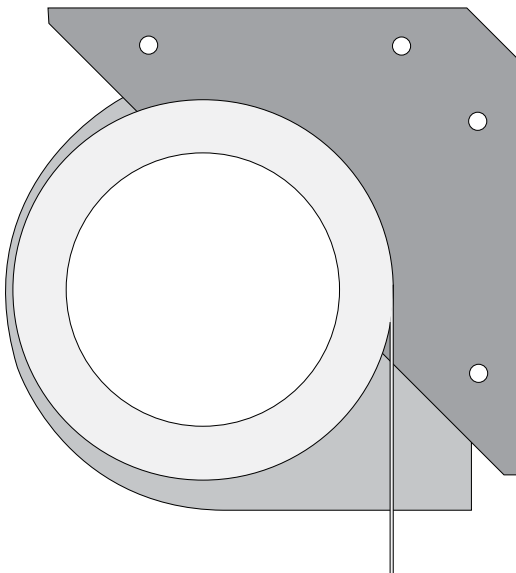
Tube size: 65 mm diameter

Pocket size: 121 mm w x 127 mm h

Typical maximum system size*: 18.6 sq. m

(up to 6 blinds, 18.6 sq. m total)

Minimum bracket-to-bracket width: 635 mm



ROLLER 225™ - PAGE 22

Provides a heavy-duty bracket and higher torque for much larger applications such as atriums or multi-story windows

Tube size: 95 mm diameter

Pocket size: 178 mm w x 178 mm h

Typical maximum size*: 20.9 sq. m

Minimum bracket-to-bracket width: 806 mm

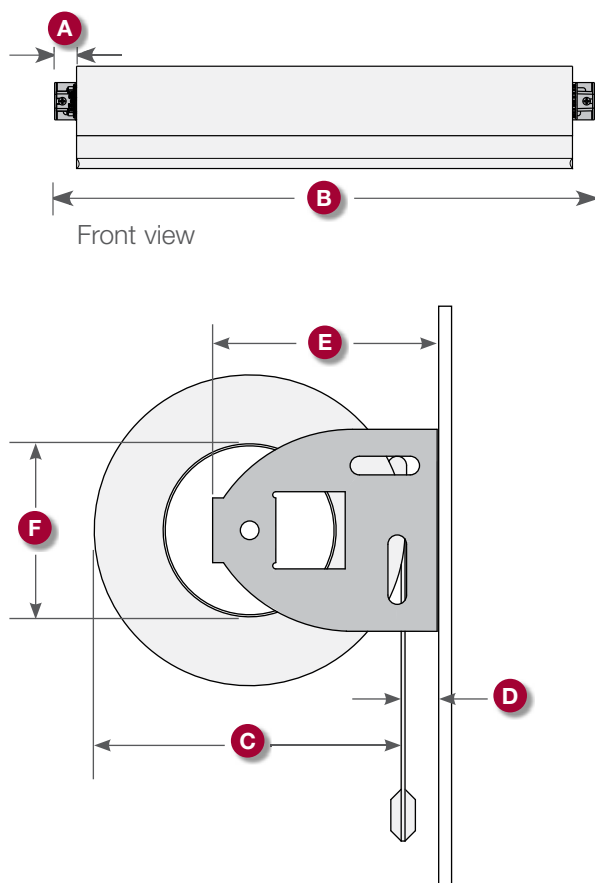
Maximum bracket-to-bracket width*: 4572 mm

* Larger roller blinds may be available based on fabric selection. Contact customer service or use the The SCT for actual roller blind dimensions based on fabric type.

ROLLER 20™ DIMENSIONS

SYSTEM DIMENSIONS

The roller 20 system utilises a 32 mm roller tube to operate up to 1.86 sq. m of fabric.*



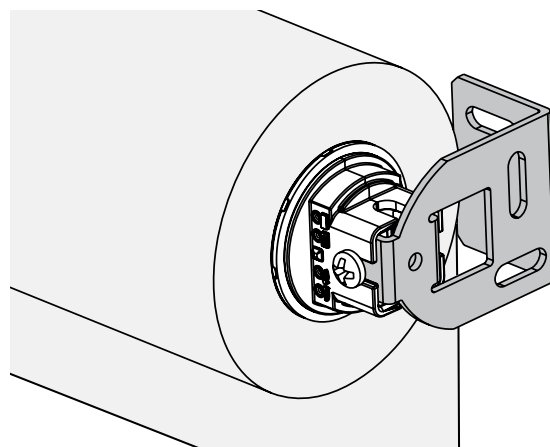
DIMENSIONS

- A** 19 mm symmetrical, minimum
- B** 470 mm minimum
- C** 64 mm
- D** 5 mm minimum
- E** 42 mm
- F** 32 mm

ROLLER 20 BRACKETS

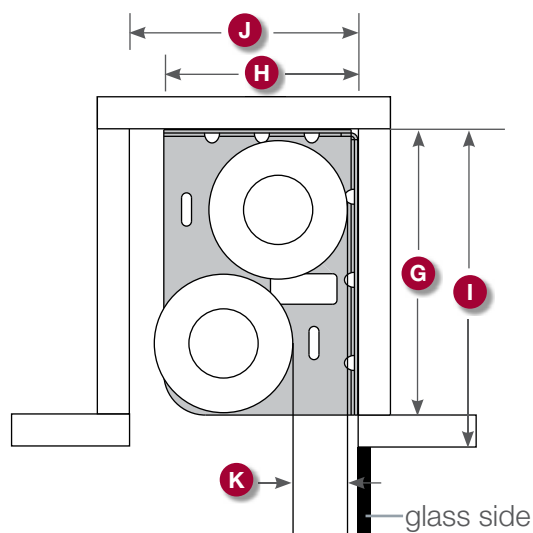
UNIVERSAL BRACKET DESIGN

- One-piece bracket for simple installation
 - Same bracket for left and right side of roller tube
 - Same bracket for ceiling, wall, and jamb mount
- Roller tube installs with simple, spring-loaded design



DUAL-MOUNT ROLLER SYSTEM

Install two fabric panels over the same window with this compact bracket.



DIMENSIONS

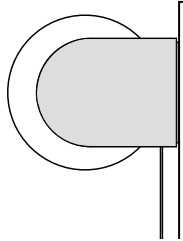
- G** 131 mm
- H** 89 mm
- I** 152 mm
- J** 140 mm
- K** 25 mm

* Wider blinds may be available based on fabric selection. Contact customer service or use the The SCT for actual blind dimensions based on fabric type.

ROLLER 20™ FASCIA AND POCKETS

STANDARD END CAP

Provide a clean look for a system installed without fascia or top box. Available in white

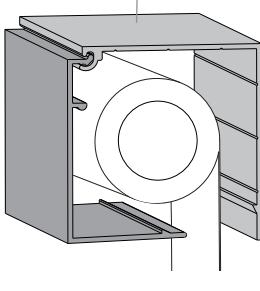


FASCIA

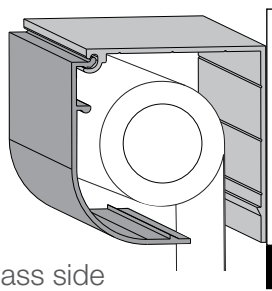
Sivoia QED® roller 20 can be installed with a top/back cover and fascia for a clean, minimal look. Square and curved fascia are available in white, bronze, and anodised aluminum.

Square fascia

top back cover

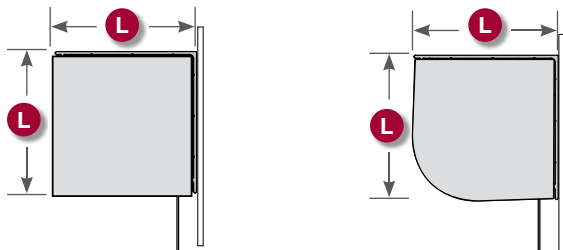


Round fascia



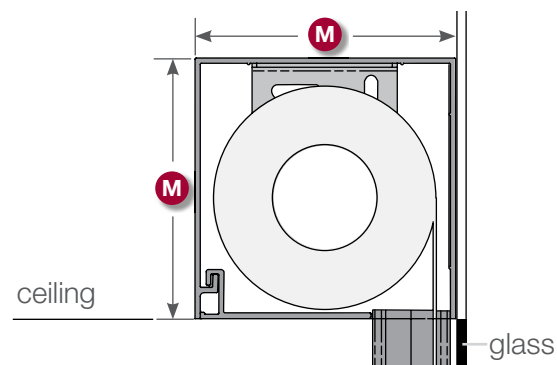
glass side

FASCIA END CAPS



POCKET DIMENSIONS

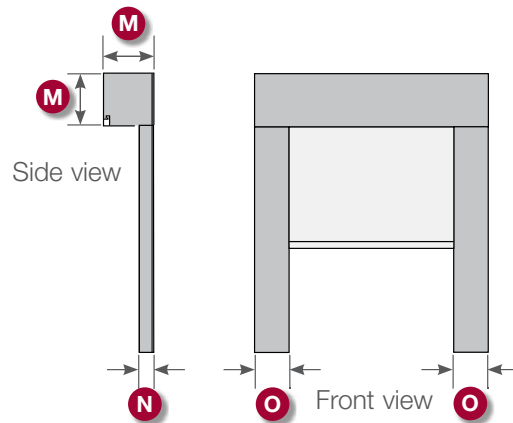
Sivoia QED roller 20 will never require more than 89 mm height x 89 mm depth for installation.



ROLLER 20 BLACKOUT

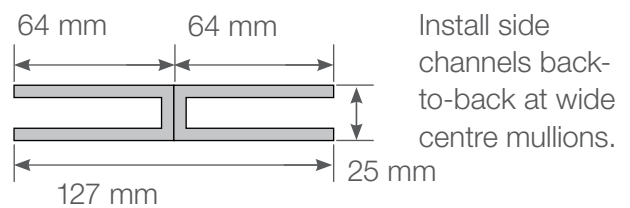
BLACKOUT CONFIGURATION

Lutron® offers side channels in a width of 64 mm to facilitate blackout conditions.

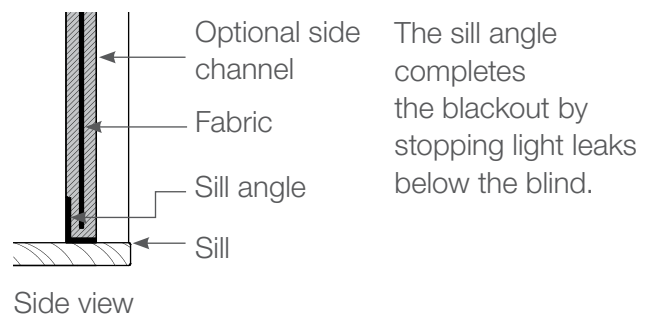


DIMENSIONS

- L** 19 mm symmetrical, minimum
- M** 470 mm minimum
- N** 64 mm
- O** 5 mm minimum



Install side channels back-to-back at wide centre mullions.

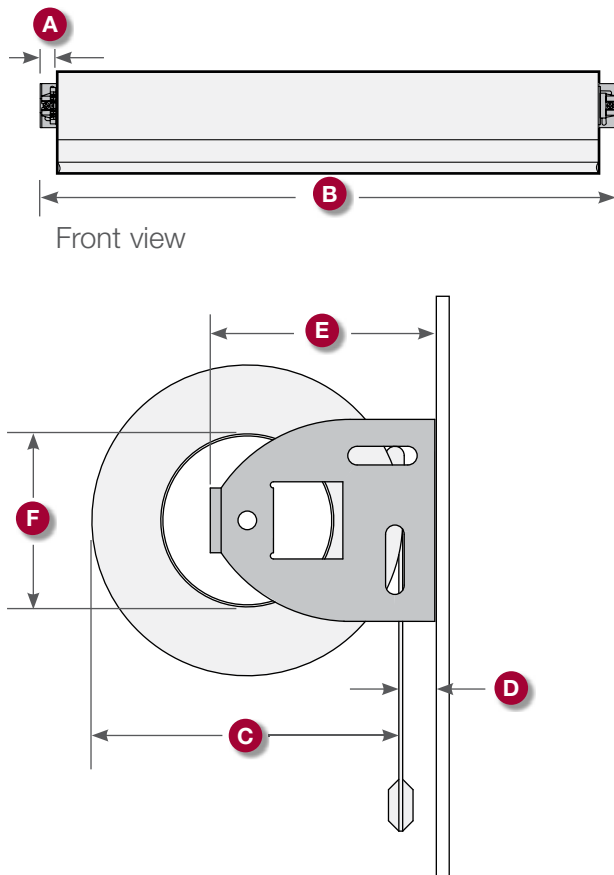


The sill angle completes the blackout by stopping light leaks below the blind.

ROLLER 64™ DIMENSIONS

SYSTEM DIMENSIONS

The roller 64 system utilises a 42 mm roller tube to operate up to 5.95 sq. m of fabric.*



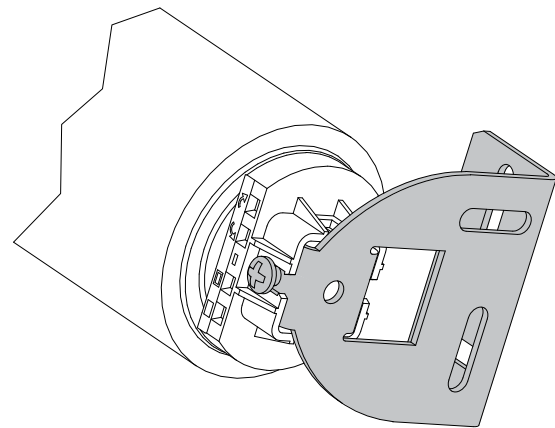
DIMENSIONS

- A** 19 mm symmetrical, minimum
- B** 470 mm minimum
- C** 76 mm maximum
- D** 7 mm minimum
- E** 55 mm
- F** 42 mm

ROLLER 64 BRACKETS

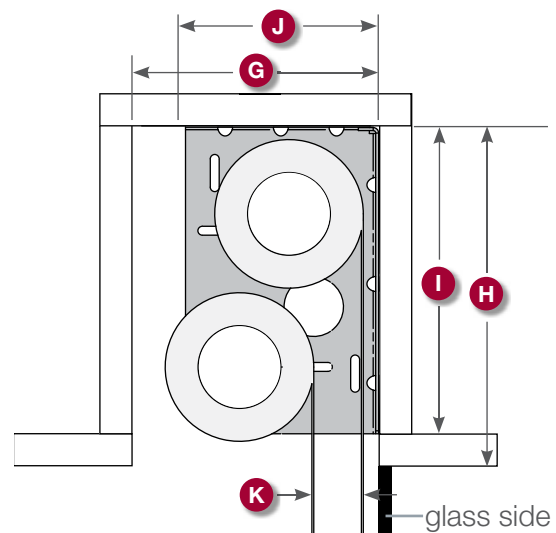
UNIVERSAL BRACKET DESIGN

- One-piece bracket for simple installation
 - Same bracket for left and right side of roller tube
 - Same bracket for ceiling, wall, and jamb mount
- Roller tube installs with simple, spring-loaded design



DUAL-MOUNT ROLLER SYSTEM

Install two fabric panels over the same window with this compact bracket system.



DIMENSIONS

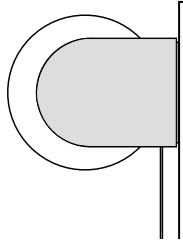
- G** 152 mm
- I** 159 mm
- H** 178 mm
- J** 99 mm

* Wider blinds may be available based on fabric selection. Contact customer service or use The SCT for actual blind dimensions based on fabric type.

ROLLER 64™ FASCIA AND POCKETS

STANDARD END CAP

Provide a clean look for a system installed without fascia or top box. Available in white



FASCIA

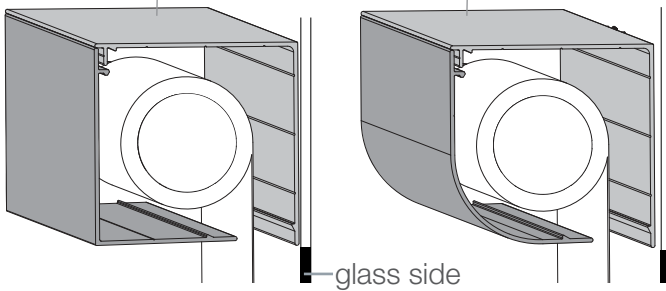
Sivoia QED® roller 64 can be installed with a top/back cover and fascia for a clean, minimal look. Square and curved fascia are available in white, bronze, and anodised aluminum.

Square fascia

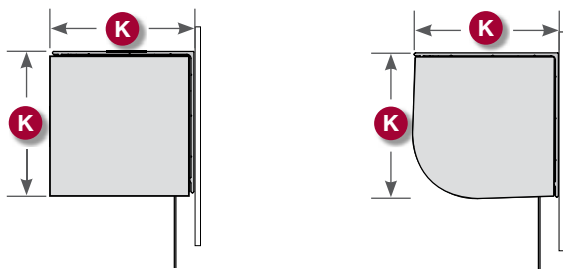
top back cover

Round fascia

top back cover

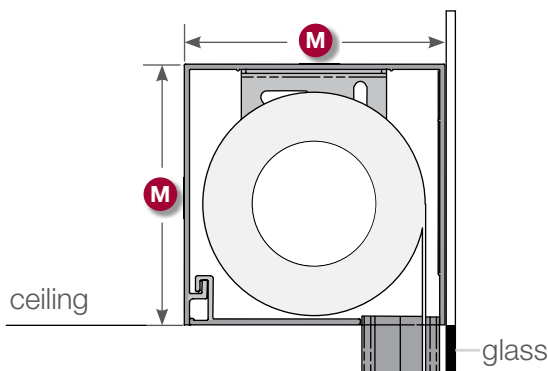


FASCIA END CAPS



POCKET DIMENSIONS

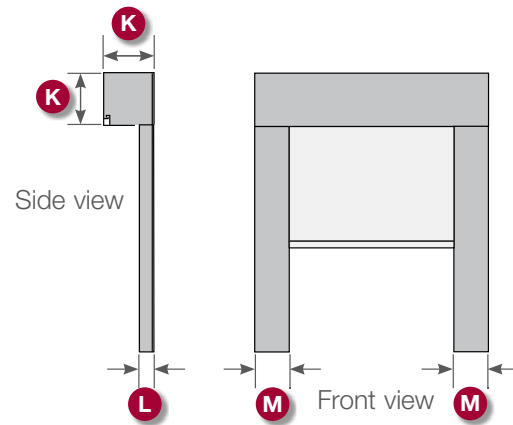
Sivoia QED roller 64 will never require more than 89 mm height x 89 mm depth for installation.



ROLLER 64 BLACKOUT

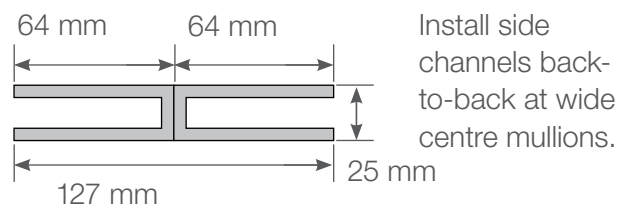
BLACKOUT CONFIGURATION

Lutron® offers side channels in a width of 64 mm to facilitate blackout conditions.

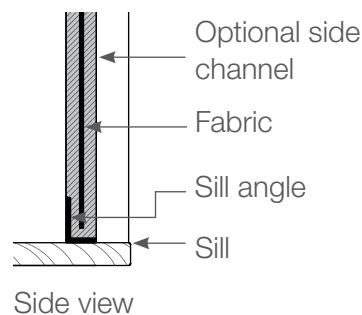


DIMENSIONS

- K** 88 mm
- L** 25 mm
- M** 64 mm



Install side channels back-to-back at wide centre mullions.

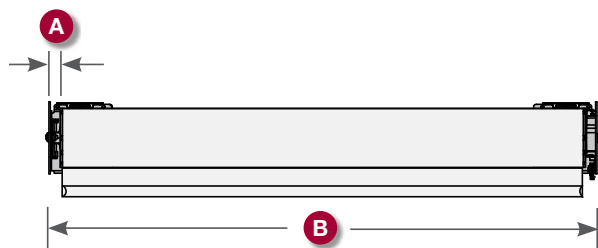


The sill angle completes the blackout by stopping light leaks below the blind.

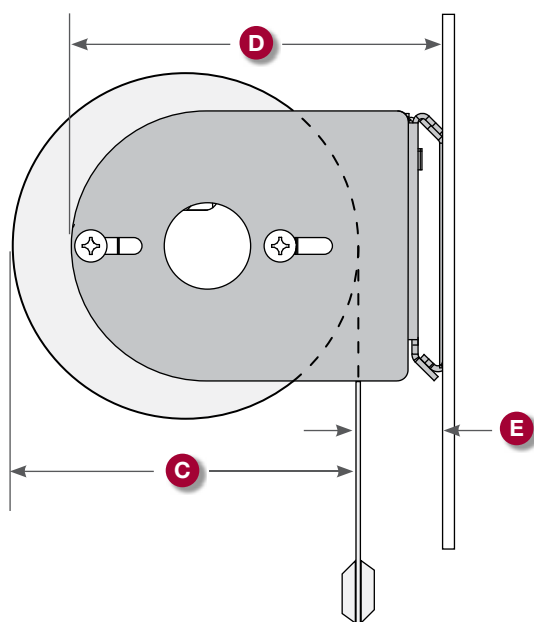
ROLLER 100™ DIMENSIONS

SYSTEM DIMENSIONS

The roller 100 system utilises a 64 mm roller tube. The roller 100 operates up to 9.29 sq. m of fabric.*



Front view



DIMENSIONS

- A** 19 mm symmetrical, minimum
- B** 610 mm (minimum bracket-to bracket)
- C** 102 mm maximum
- D** 112 mm
- E** 16 mm maximum projection

* Wider blinds may be available based on fabric selection. Contact customer service or use The SCT for actual blind dimensions based on fabric type.

ROLLER 100 BRACKETS

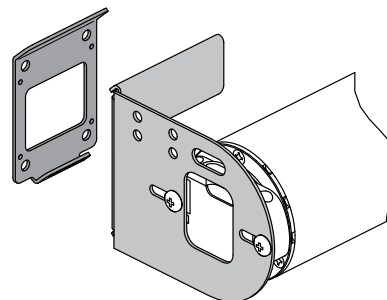
BRACKET DESIGN BENEFITS

Sivoia QED® roller 100 brackets employ a two-piece design to maximise ease and flexibility of installation.

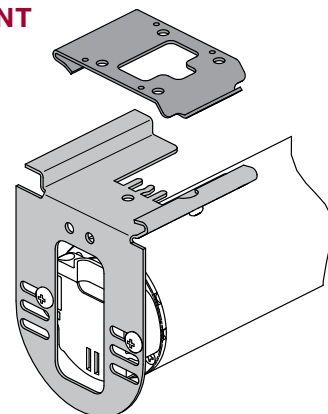
Proprietary bracket designs for various applications include:

- Wall mount
- Ceiling mount
- Jamb mount

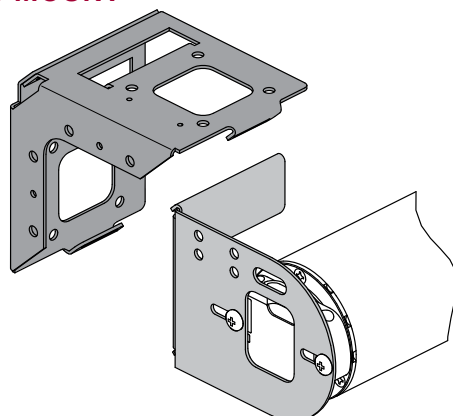
WALL MOUNT



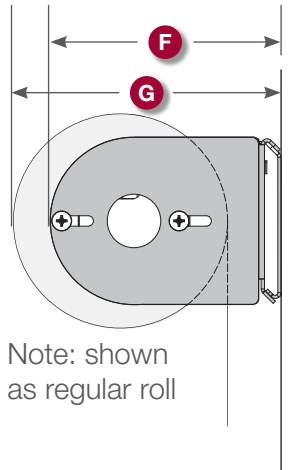
CEILING MOUNT



JAMB MOUNT



WALL MOUNT

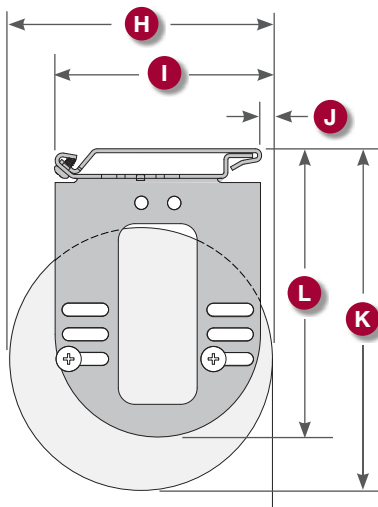


Note: shown as regular roll

DIMENSIONS

- F** 112 mm
- G** 130 mm maximum

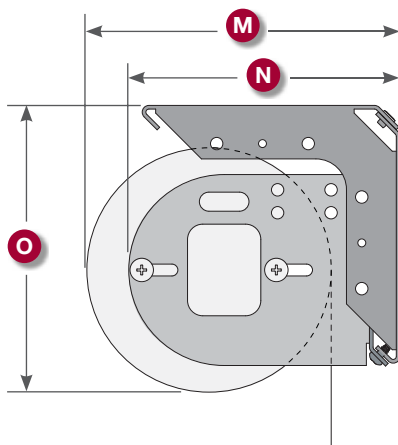
CEILING MOUNT



DIMENSIONS

- H** 102 mm maximum
- I** 84 mm
- J** 4 mm
- K** 132 mm maximum
- L** 112 mm

JAMB MOUNT



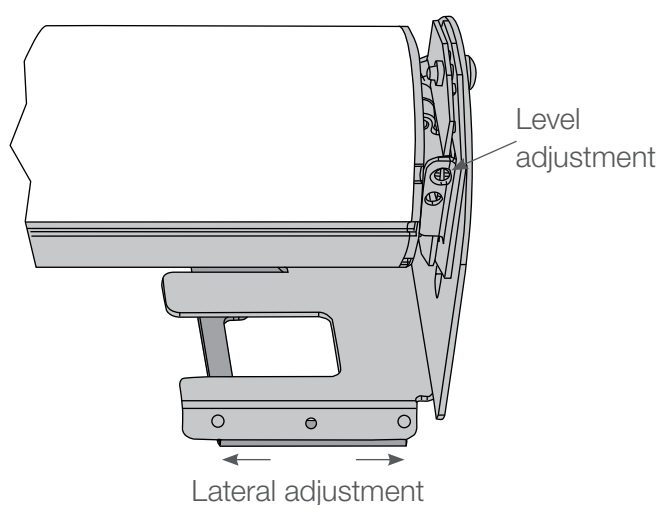
DIMENSIONS

- M** 130 mm maximum
- N** 113 mm
- O** 118 mm maximum

ROLLER 100™ BRACKET FEATURES

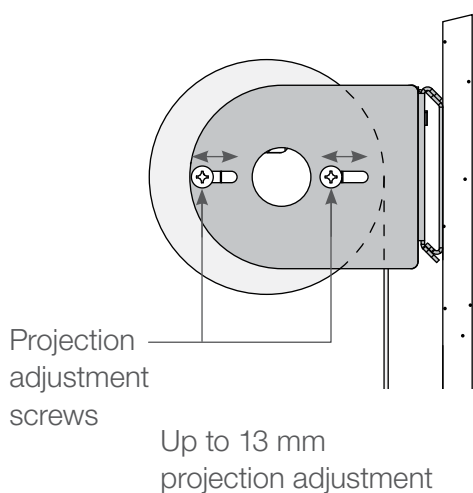
BLIND CENTRING AND LEVELING

A benefit of the two-piece bracket design is the ability to laterally adjust the roller blind after installation to ensure a centred mounting. Roller blind can also be leveled easily without re-mounting the bracket.



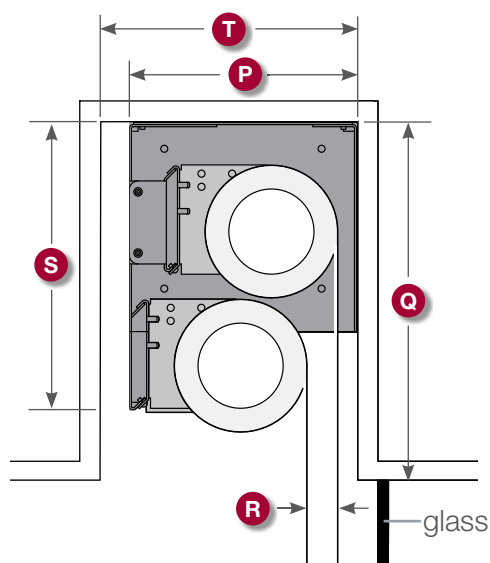
PROJECTION ADJUSTMENT

The Sivoia QED® bracket allows for projection adjustment of the roller tube during and after installation.



DUAL-MOUNT BRACKET

A common roller blind application is the use of two fabrics on one window, typically a sheer and a blackout. Fabric unrolls closest to glass. The dual mount uses a two-piece bracket.



DIMENSIONS

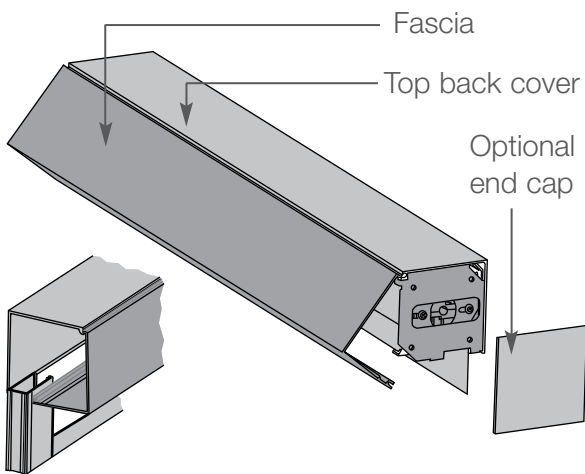
- P** 165 mm
- Q** 279 mm
- R** 25 mm
- S** 209 mm
- T** 178 mm

ROLLER 100™ FASCIA AND POCKETS

FASCIA AND TOP BACK COVERS

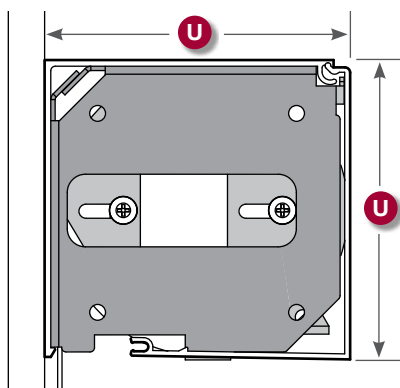
Sivoia QED® roller blinds can be installed within fascia and top back covers. This two-piece enclosure both conceals the product and affords accessibility for adjustment and maintenance.

Add side channels and sill angles to achieve blackout conditions with opaque fabrics.



Fascia and top/back cover with side channel and sill angle (pg. 20)

The fascia mount uses a two-piece bracket.



DIMENSIONS

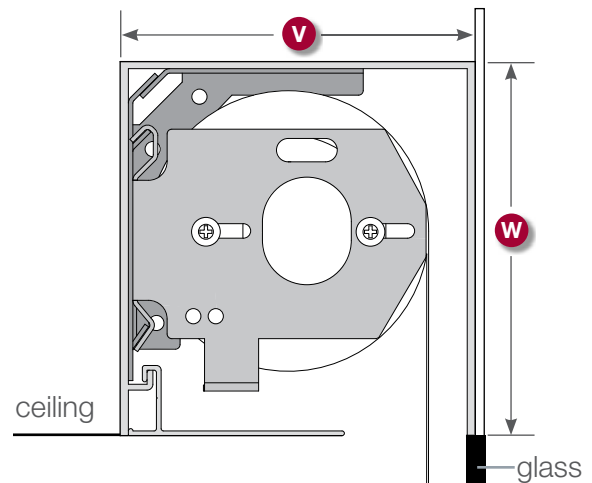
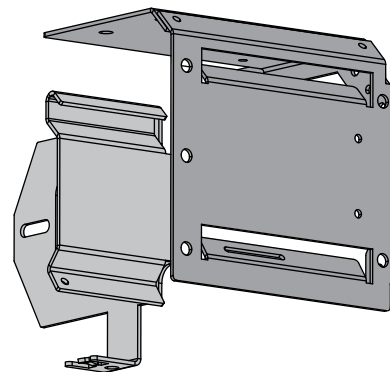
U 106 mm

Note: Fascia and top back cover can be used independently of each other.

ROLLER 100 POCKET

POCKET DIMENSIONS

Pockets are available for Sivoia QED roller 100 and roller 200CW systems. The pocket mount uses a two-piece bracket.



LUTRON® POCKET DIMENSIONS

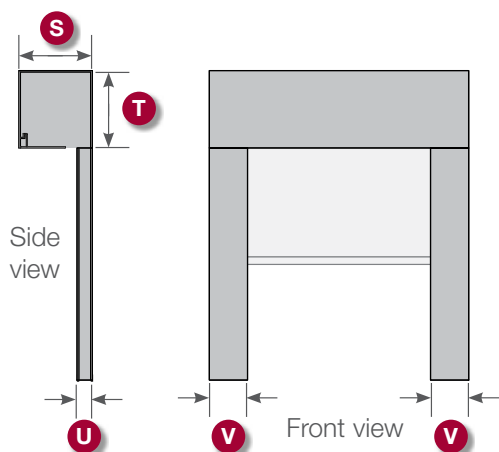
V 121 mm

W 127 mm

ROLLER 100™ BLACKOUT

BLACKOUT CONFIGURATION

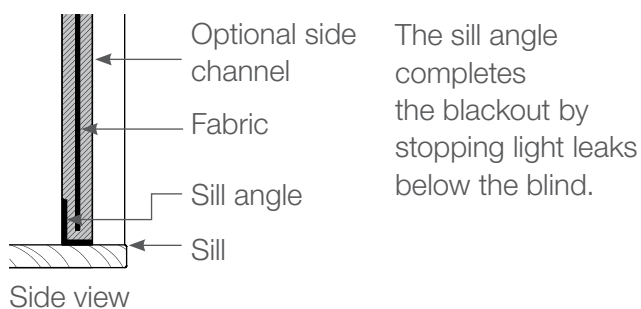
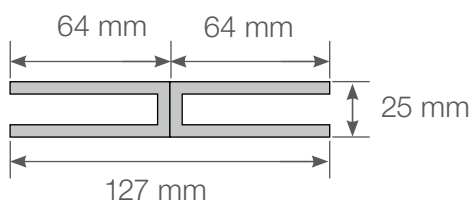
Lutron® offers side channels in a width of 64 mm to facilitate blackout conditions.



DIMENSIONS

- S** 121 mm
 - T** 127 mm
 - U** 25 mm
 - V** 64 mm
- Pocket dimensions shown including side channels

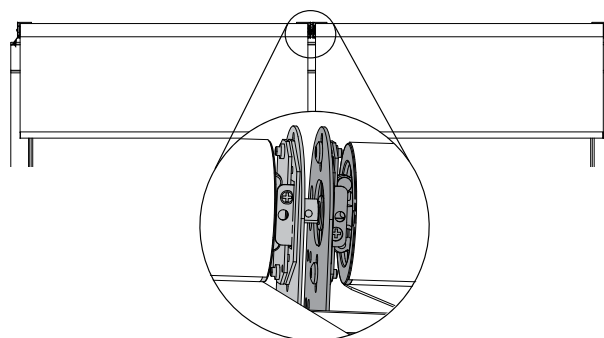
Install side channels back-to-back at wide centre mullions



ROLLER 100 COUPLING SYSTEM

COUPLED ROLLER SYSTEM

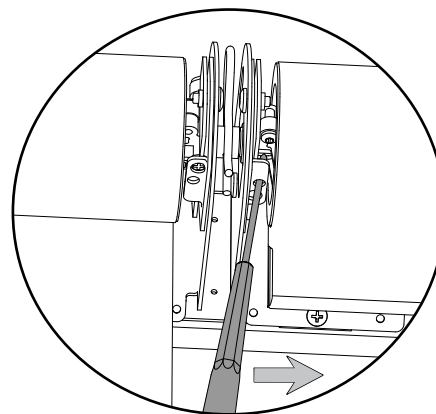
Up to three Sivoia QED® roller 100 blind panels can be coupled, meaning they all are powered by a single electronic drive unit (EDU).



- Increased efficiency by operating multiple blinds with one EDU
- Offers 38 mm minimum light gap between panels
- Can be assembled with any bracket configuration (see pg. 21)
- Offers phase adjustment, which allows the bottom bars to be aligned after installation
- Allows precise hembar alignment (within 3 mm)

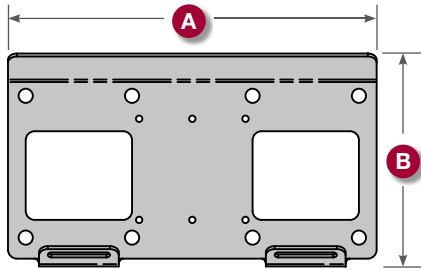
COUPLING ADJUSTMENT

Use a screwdriver to align bottom bars while blinds are in place.



COUPLING SUB-BRACKETS

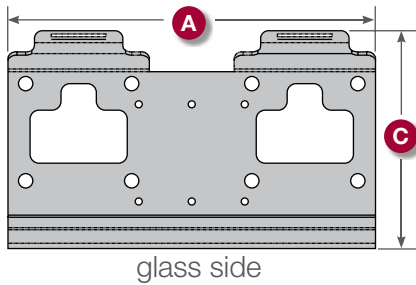
WALL MOUNT COUPLING SUB-BRACKET



DIMENSIONS

A 132 mm **B** 76 mm

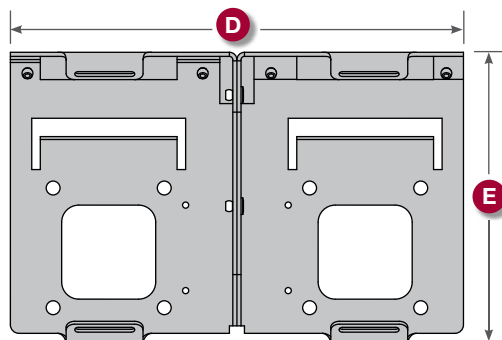
CEILING MOUNT COUPLING SUB-BRACKET



DIMENSIONS

A 132 mm **C** 78 mm

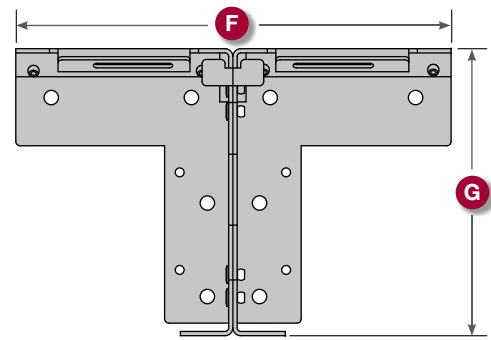
JAMB MOUNT COUPLING SUB-BRACKET



DIMENSIONS

D 168 mm **E** 107 mm

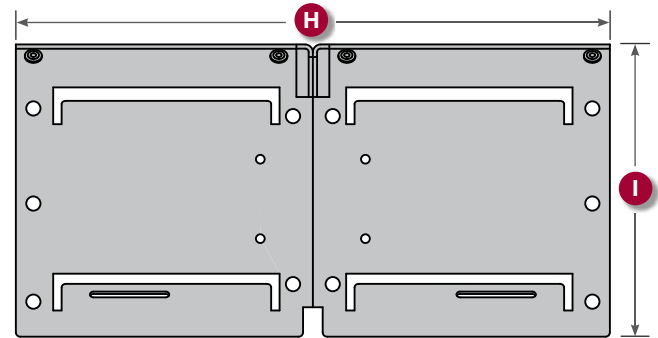
FASCIA MOUNT COUPLING SUB-BRACKET



DIMENSIONS

F 156 mm **G** 103 mm

POCKET MOUNT COUPLING SUB-BRACKET



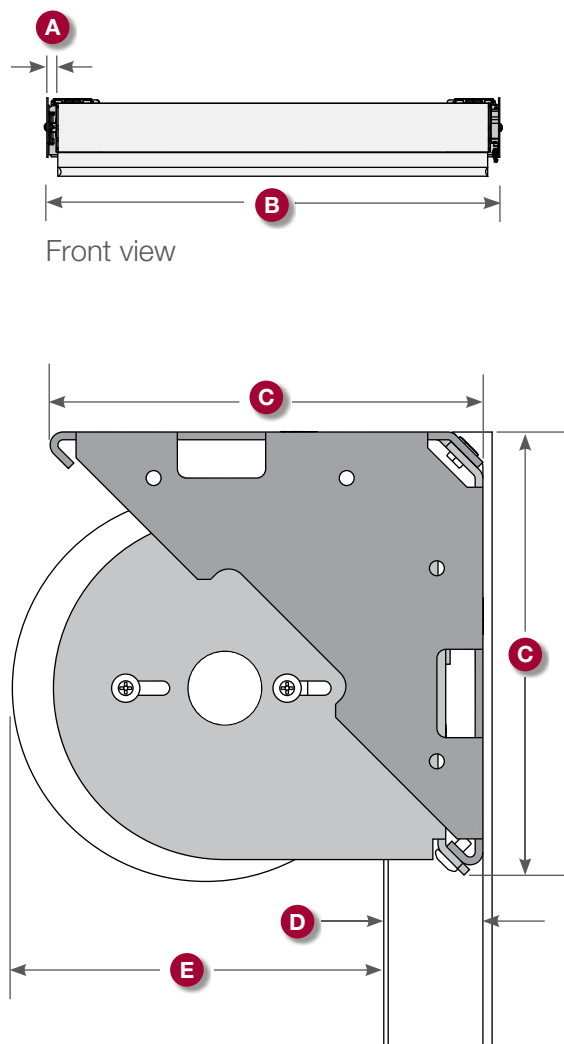
DIMENSIONS

H 215 mm **I** 106 mm

ROLLER 225™ DIMENSIONS

SYSTEM DIMENSIONS

The roller 225 provides a heavy-duty bracket and higher torque for much larger applications such as atriums or multi-story windows.



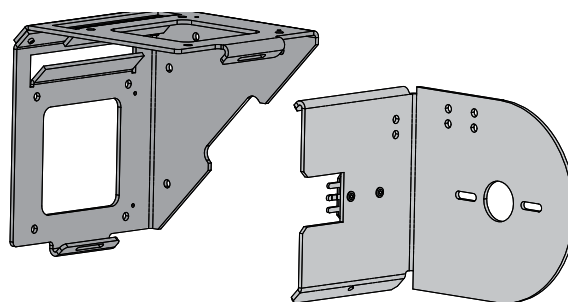
DIMENSIONS

- A** 19 mm symmetrical, minimum
- B** 803 mm typical minimum
- C** 152 mm
- D** 29 mm maximum projection into room
- E** 133 mm

ROLLER 225 BRACKETS

THE ROLLER 225 SYSTEM:

- Utilises a 95 mm diameter tube
- Employs heavy duty brackets designed for larger systems

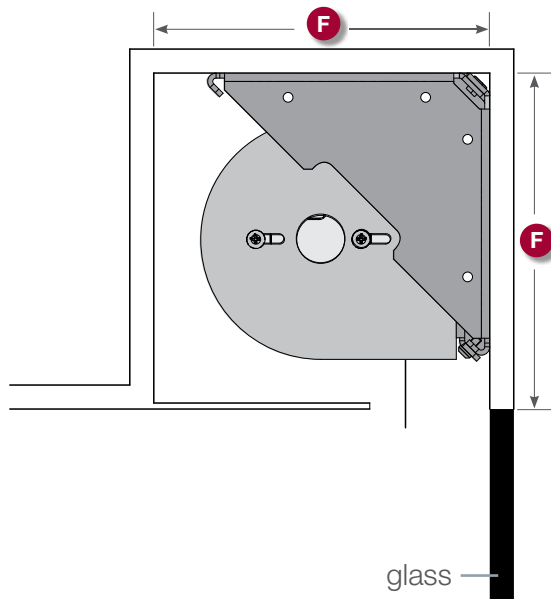


Sivoia QED®
roller 225
bracket assembly

ROLLER 225™ POCKETS

POCKET INSTALLATION

Lutron® recommends a 178 mm x 178 mm pocket for recessed installations.



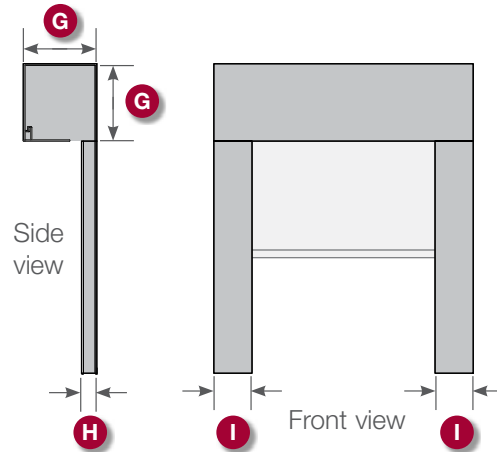
DIMENSIONS

F 178 mm

ROLLER 225 BLACKOUT

BLACKOUT CONFIGURATION (POCKET ONLY)

Lutron offers side channels in a width of 64 mm to facilitate blackout conditions.



DIMENSIONS

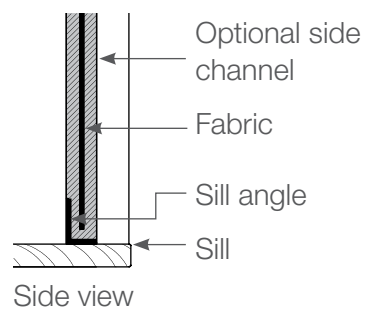
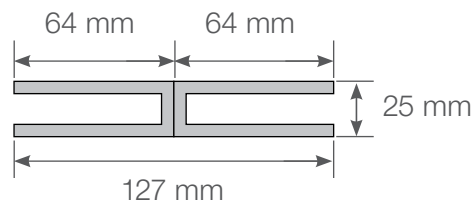
G 178 mm

H 25 mm

I 64 mm

Pocket dimensions shown including side channels.

Install side channels back-to-back at wide centre mullions.

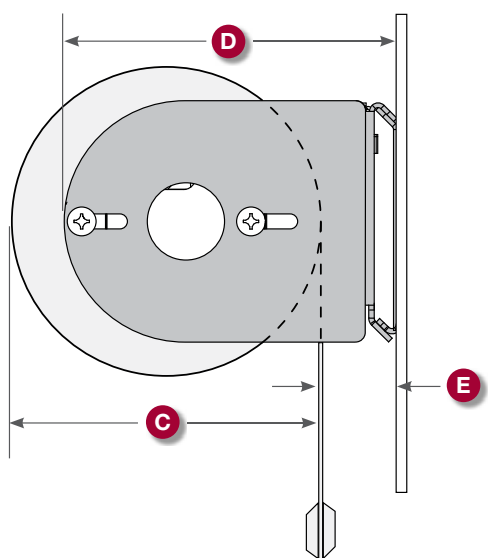
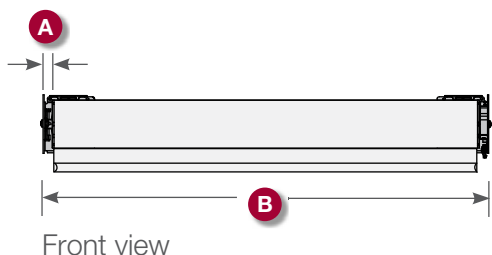


The sill angle completes the blackout by stopping light leaks below the blind.

ROLLER 200CW DIMENSIONS

SYSTEM DIMENSIONS

The roller 200CW system utilises a 64 mm roller tube. The roller 200CW operates 18.6 sq. m of fabric. Blinds move slowly and are best suited for open office spaces or common areas.



DIMENSIONS

- A** 19 mm
- B** 635 mm minimum bracket-to-bracket
- C** 102 mm
- D** 112 mm
- E** 25 mm maximum projection into room

ROLLER 200CW BRACKETS

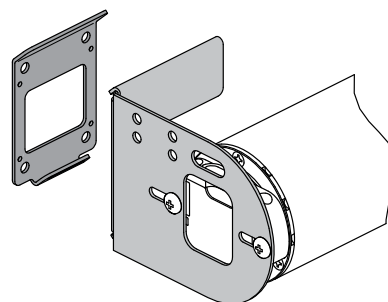
BRACKET DESIGN BENEFITS

Sivoia QED® roller 200CW brackets employ a two-piece design to maximise ease and flexibility of installation.

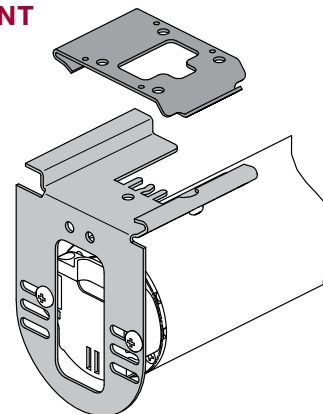
Proprietary bracket designs for various applications include:

- Wall mount
- Ceiling mount
- Jamb mount

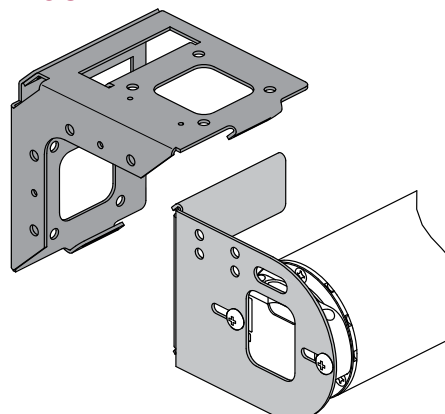
WALL MOUNT



CEILING MOUNT



JAMB MOUNT



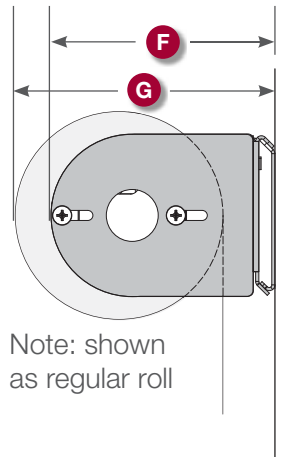
ROLLER 200CW BRACKET FEATURE

WALL MOUNT

DIMENSIONS

F 112 mm

G 130 mm



Note: shown as regular roll

CEILING MOUNT

DIMENSIONS

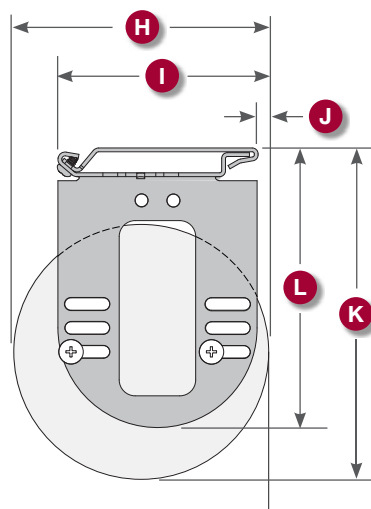
H 102 mm

I 89 mm

J 4 mm

K 132 mm

L 111 mm



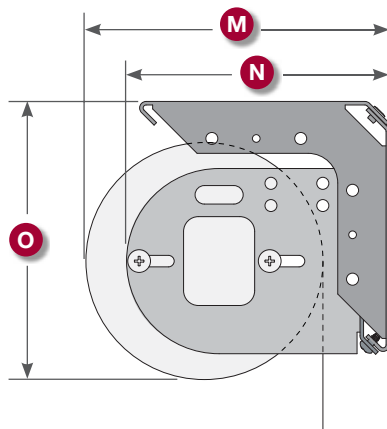
JAMB MOUNT

DIMENSIONS

M 130 mm

N 113 mm

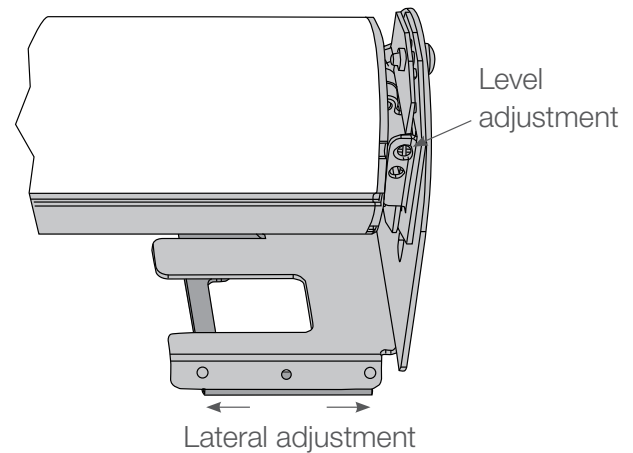
O 118 mm



Note: Fabric projection adjustable 13 mm

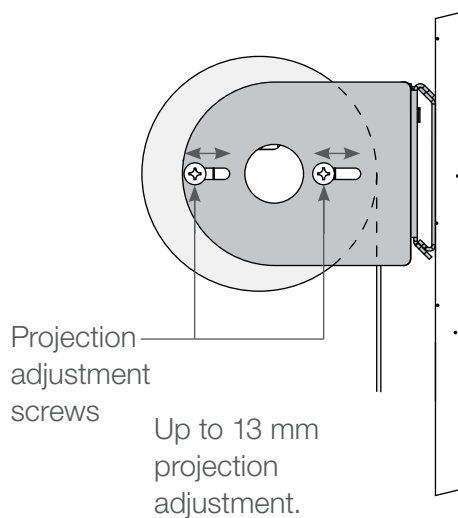
BLIND CENTRING AND LEVELING

A benefit of the two-piece bracket design is the ability to laterally adjust the roller blind after installation to ensure a centred mounting. Roller blind can also be leveled easily without re-mounting the bracket.



PROJECTION ADJUSTMENT

The Sivoia QED® bracket allows for projection adjustment of the roller tube during and after installation.

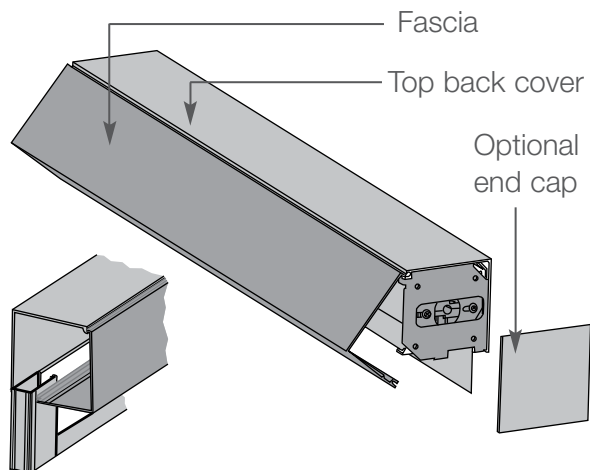


ROLLER 200CW HEAD BOXES AND POCKETS

FASCIA AND TOP BACK COVERS

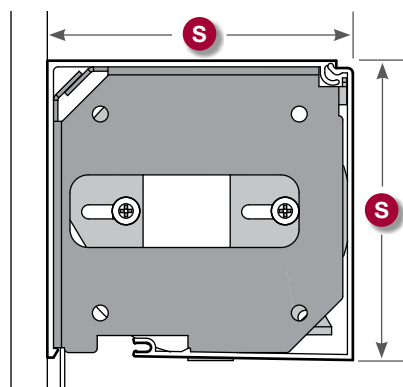
Sivoia QED® roller blinds can be installed within a headbox, consisting of fascia and a top back cover. This two-piece enclosure both conceals the product and affords accessibility for adjustment and maintenance.

Add side channels and sill angles to achieve blackout conditions with opaque fabrics.



Fascia and top/back cover with side channel and sill angle

The fascia mount uses a two-piece bracket.



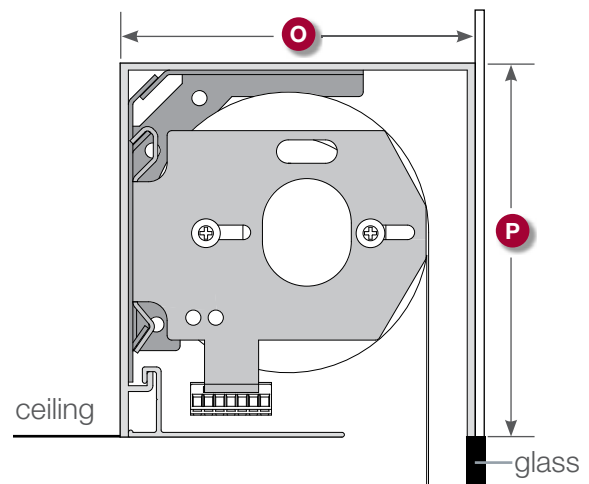
DIMENSIONS

S 107 mm

Note: Fascia and top back cover can be used independently of each other.

POCKET DIMENSIONS

Pockets are available for Sivoia QED roller 100™ and roller 200CW systems.



DIMENSIONS

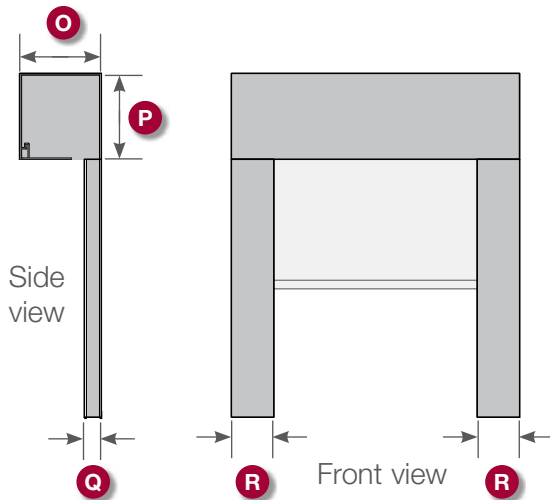
O 121 mm

P 127 mm

ROLLER 200CW BLACKOUT

BLACKOUT CONFIGURATION

Lutron® offers side channels in a width of 64 mm to facilitate blackout conditions.



DIMENSIONS

O 121 mm

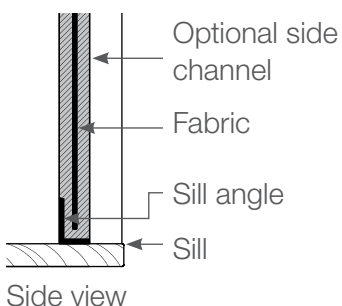
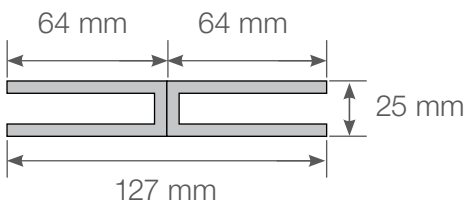
P 127 mm

Q 25 mm

R 64 mm

Pocket dimensions shown including side channels.

Install side channels back-to-back at wide centre mullions.

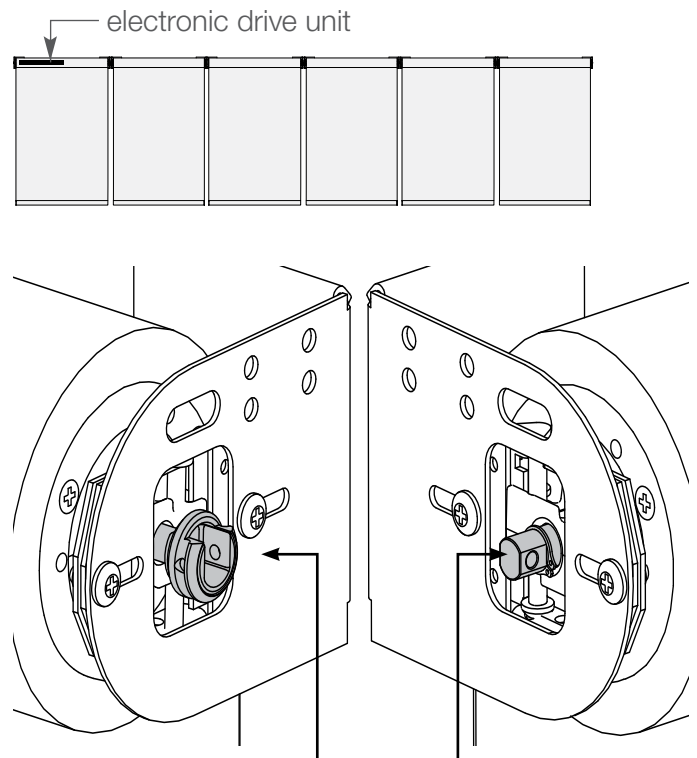


The sill angle completes the blackout by stopping light leaks below the blind.

ROLLER 200CW COUPLING SYSTEM

COUPLED ROLLER SYSTEM

Up to six Sivoia QED® roller 200CW blind panels can be coupled, meaning they all are powered by a single electronic drive unit (EDU).



coupling shaft (highlighted in grey)

- Increased efficiency by operating multiple blinds with one EDU
- Control up to 18.6 sq. m of fabric
- System installs in 121 mm x 127 mm pocket
- Symmetrical fabric gaps
- Offers 38 mm minimum light gap between panels
- Can be assembled with any bracket configuration
- Offers phase adjustment, which allows the bottom bars to be aligned after installation
- Allows precise hembar alignment (within 3 mm)

See pg. 23 for coupling sub-bracket dimensions.

SIVOIA QED® | BOTTOM BAR OPTIONS

The bottom bar offers a clean aesthetic at the bottom of the blind. It is available in half-wrap and exposed.

Light-blocking wool pile is available for blackout blinds with both wrap options. Optional side channels are also available for a complete light seal in blackout applications.

The bottom bar is available in white, anodised aluminium, or bronze. The endcaps are available in white, gray, bronze, or black to coordinate with the exposed bottom bar colour or with the fabric on half-wrap bars.

Colour choices for the bottom bars:



Anodised aluminium



White



Bronze

Endcap colours coordinate with the exposed bottom bar colour, or with the fabric on half wrap bars. The endcap colours are shown below.



Gray



White



Bronze

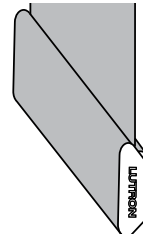


Black

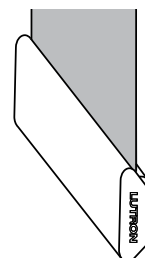
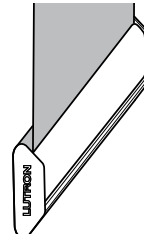
SEALED BATTENS

For blinds that are very wide, horizontal battens can be sealed into the fabric to provide stability and help ensure the best performance.

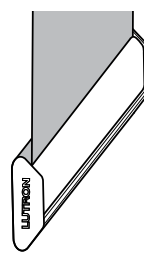
FACING ROOM FACING GLASS



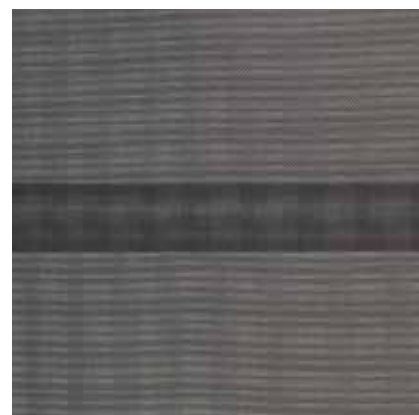
Half wrap



Exposed



SEALED BATTEN



SIVOIA QED® | SKYLIGHT BLIND

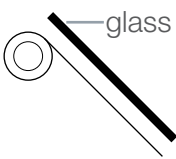


SIVOIA QED® | SKYLIGHT BLIND SYSTEM SELECTION GUIDE

Determine how skylight blind will be installed	Take system measurements (pg. 35)	Specify drive location for pre-wiring
<p>MOUNTING CONDITIONS (PG. 33)</p> <ul style="list-style-type: none"> <input type="checkbox"/> Inside mount <input type="checkbox"/> Recessed mount <input type="checkbox"/> Surface mount <p>ANGLE OF INSTALLATION (PG. 34)</p> <p>= _____ degrees</p>	<p>SKYLIGHT BLIND SYSTEM SIZE SYSTEM LENGTH =</p> <p>_____</p> <p>System width = _____ (System contains frame and blind.)</p> <p>Typical maximum system size is 8.9 sq. m.*</p>	<ul style="list-style-type: none"> <input type="checkbox"/> Left drive <input type="checkbox"/> Right drive <input type="checkbox"/> TBD  <p>SPECIFY WIRING TOPOLOGY</p> <ul style="list-style-type: none"> <input type="checkbox"/> Individual transformers (recommended for installations requiring local wiring) <input type="checkbox"/> Power panel (recommended for installations requiring centralised wiring)

* Maximum system size may vary based on fabric selection. Contact customer service or use the The SCT for actual system size dimensions based on fabric type.

SIVOIA QED® | SKYLIGHT BLIND SYSTEM SELECTION GUIDE

Specify fabric roll detail	Specify fabric	Specify lineal requirements	Specify control
<p>FABRIC DROP</p> <p><input type="checkbox"/> Regular</p>  <p>ROLLER LOCATION</p> <p><input type="checkbox"/> Top (blind closes from top to bottom)</p>	<p><input type="checkbox"/> SHEERBLIND®</p> <p>Fabrics feature open weaves, so sunlight is filtered while preserving the view</p> <p><input type="checkbox"/> DIM-OUT</p> <p>These fabrics permit some light, but are not open weaves, so the view is limited to shapes and shadows</p> <p><input type="checkbox"/> BLACKOUT</p> <p>These fabrics prevent all light from passing through the material</p> <p><small>Note: Only fiberglass-based fabrics are available. Refer to the The SCT or contact customer service for details.</small></p>	<p>FRAME AND FASCIA METAL COLOUR:</p> <p><input type="checkbox"/> Clear anodised</p> <p><input type="checkbox"/> White</p> <p><input type="checkbox"/> Custom:</p> <hr/> <p>ASSEMBLY:</p> <p><input type="checkbox"/> Pre-assembled** (ships as a complete product)</p> <p><input type="checkbox"/> Customer assembled (ships as components)</p>	<p>FOR STANDALONE SYSTEMS:</p> <p>Keypad style:</p> <p><input type="checkbox"/> Architectural</p> <p><input type="checkbox"/> Euro-style</p> <p><input type="checkbox"/> International</p> <p>Keypad configuration (refer to pg. 52):</p> <p><input type="checkbox"/> Open/close</p> <p><input type="checkbox"/> Raise/Lower</p> <p><input type="checkbox"/> Preset 1</p> <p><input type="checkbox"/> Preset 2</p> <p><input type="checkbox"/> Preset 3</p> <p><input type="checkbox"/> IR receiver</p> <p><input type="checkbox"/> Dual blind control</p> <p>Colour (refer to pg. 51)</p> <p><input type="checkbox"/> Plastic colour</p> <hr/> <p><input type="checkbox"/> Metal finish</p> <hr/> <p><input type="checkbox"/> Infra-red transmitter</p> <p><input type="checkbox"/> Dry contact input from third-party systems</p> <p>FOR TOTAL LIGHTING CONTROL:</p> <p><input type="checkbox"/> GRAFIK Eye® (room control)</p> <p><input type="checkbox"/> HomeWorks® (whole home control)</p> <p><input type="checkbox"/> GRAFIK® systems (total building control)</p>

** Available for blind sizes up to 2.8 sq. m

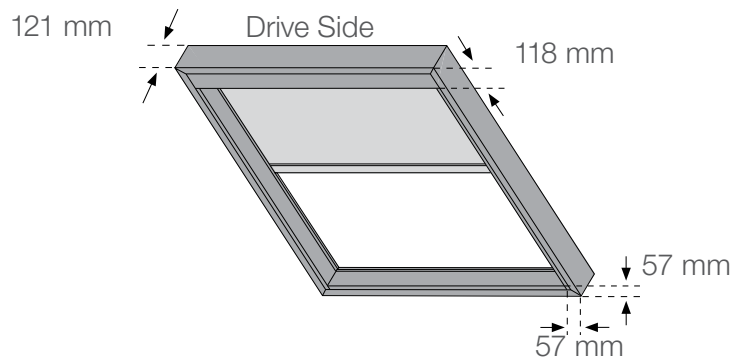
SKYLIGHT BLIND | SYSTEM OVERVIEW

FRAME SPECIFICATIONS

System is concealed within its frame. Frame thickness and depth are standard regardless of system size. Pre-assembled shipping is available.

GENERAL SYSTEM DIMENSIONS

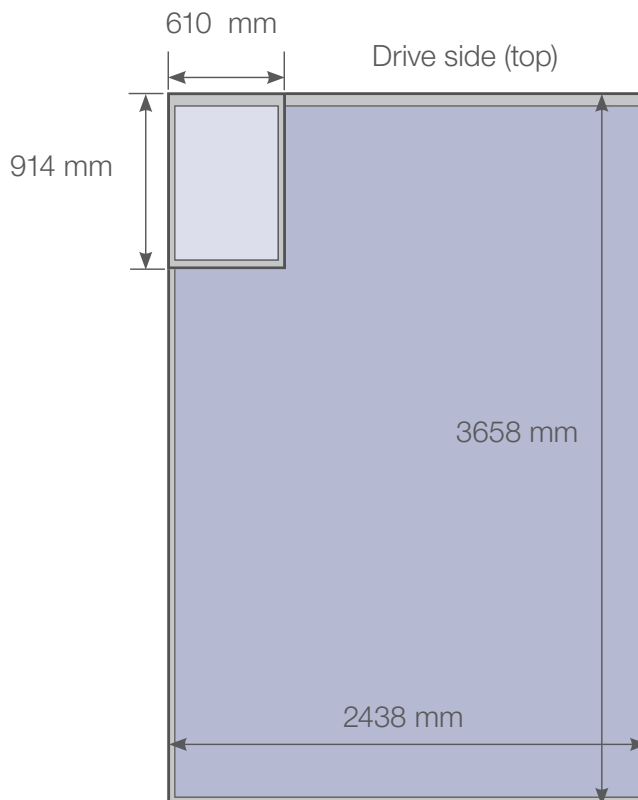
(System contains frame and blind)



SYSTEM PARAMETERS

This graphic illustrates general system dimensions of Sivoia QED skylight blind system. (System contains frame and blind.) Typical maximum size is 8.9 sq. m*.

- Minimum system size:
610 mm wide x 914 mm long
- Maximum system size*:
2438 mm wide x 3658 mm long
- Frame thickness:
Drive side: 118 mm
Non-drive sides: 57 mm

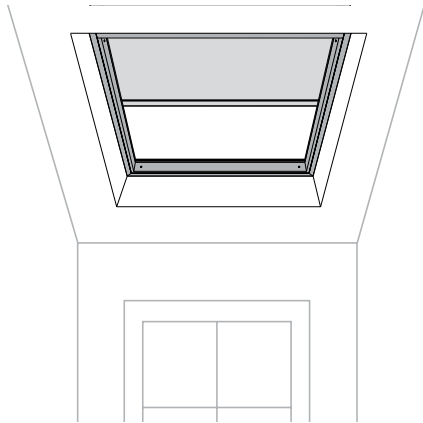


* Skylight blind dimension limitations are a function of fabric selection and application angle. Please consult the The SCT or customer service for details.

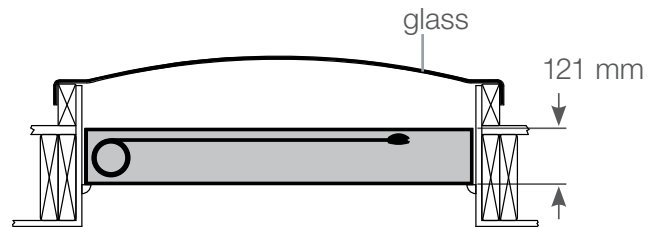
SKYLIGHT BLIND | MOUNTING OPTIONS

MOUNTING OPTIONS

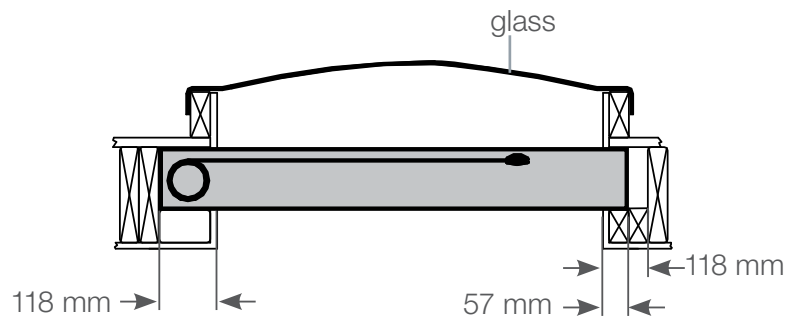
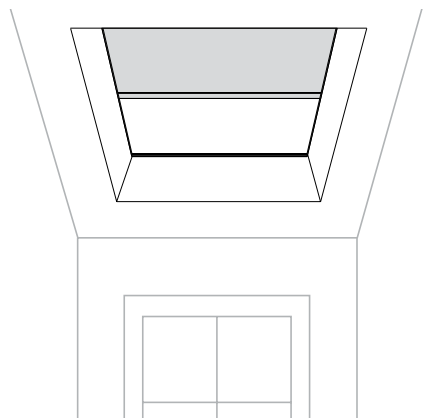
Inside mount



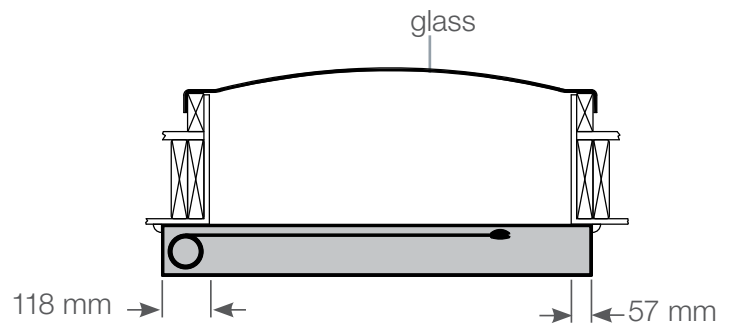
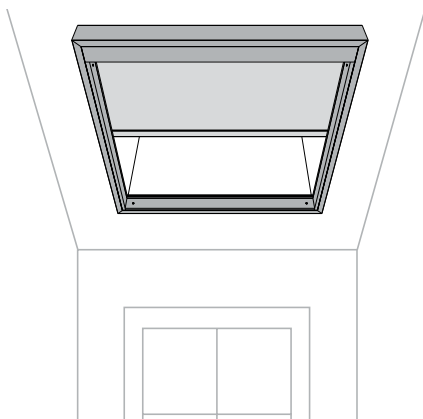
CROSS-SECTION



Recessed mount*



Surface mount* (ceiling)

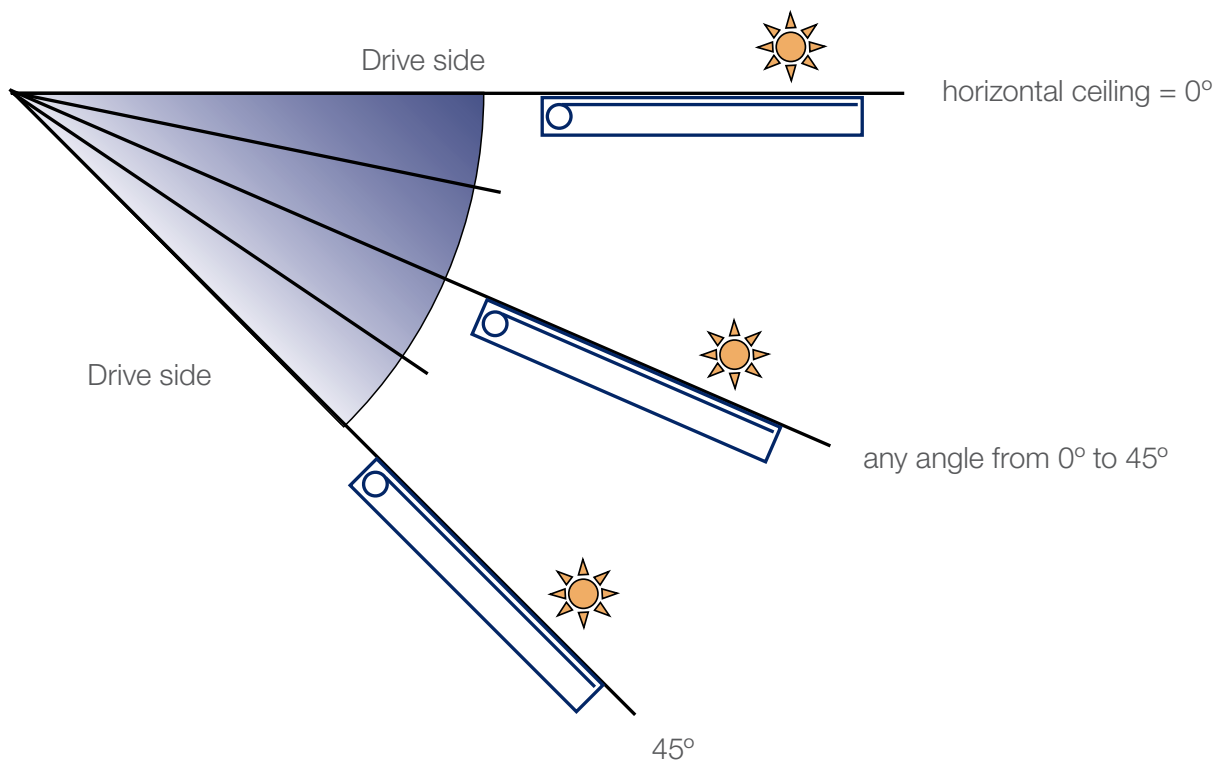


* Fascia is flush with skylight-opening walls

SKYLIGHT BLIND | ANGLES OF INSTALLATION

ANGLES OF INSTALLATION

Sivoia QED® skylight blind allows for flexible installation at any angle between 0° and 45° with consistent aesthetic results. Regardless of slope, the drive side is always located at the top. Blind closes from top to bottom with fabric unrolling closest to the window.



SKYLIGHT BLIND | MEASURING INSTRUCTIONS

MEASURING FOR INSIDE MOUNT SKYLIGHT FRAMES

- 1 Measure the well width at each end and the centre (1 2 3), where the frame will mount inside the skylight well.

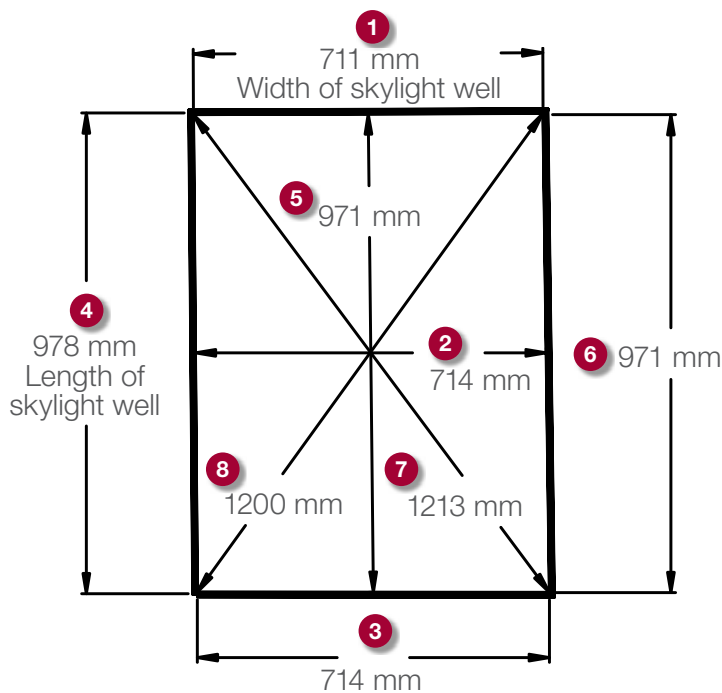
NOTE: For sloped ceilings, mount the roller at the top of the opening.

- 2 Measure the well length at each end and the centre (4 5 6), where the frame will mount inside the skylight well.
- 3 Measure each diagonal (7 8) dimension of the light well.
- 4 Order the blind using the following formula to make sure the frame fits in the well opening.

$$\text{Frame Width} = (\text{Min measured width}) - \frac{(\text{Max diagonal} - \text{Min diagonal})}{2}$$

$$\text{Frame Length} = (\text{Min measured length}) - \frac{(\text{Max diagonal} - \text{Min diagonal})}{2}$$

EXAMPLE: SKYLIGHT WELL MEASURING



For this skylight well, order a skylight blind with the following dimensions:

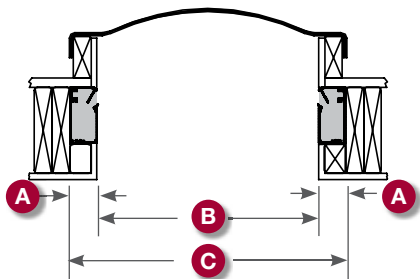
$$\text{Frame Width} = 711 \text{ mm} - \frac{(1213 \text{ mm} - 1200 \text{ mm})}{2} = 704.5 \text{ mm}$$

$$\text{Frame Length} = 971 \text{ mm} - \frac{(1213 \text{ mm} - 1200 \text{ mm})}{2} = 964.5 \text{ mm}$$

SKYLIGHT BLIND | MEASURING INSTRUCTIONS

RECESSED MOUNT MEASURING INSTRUCTIONS

Section view of skylight blind width

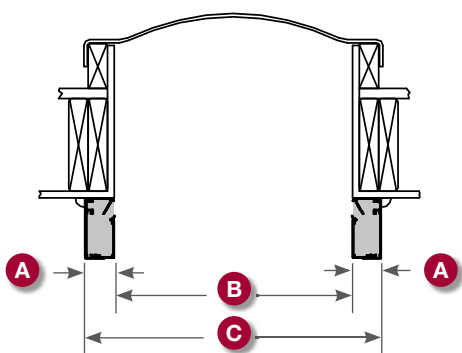


DIMENSIONS

- A** 57 mm
- B** Window well width
- C** Frame width (= **B** + 114 mm)

SURFACE MOUNT MEASURING INSTRUCTIONS

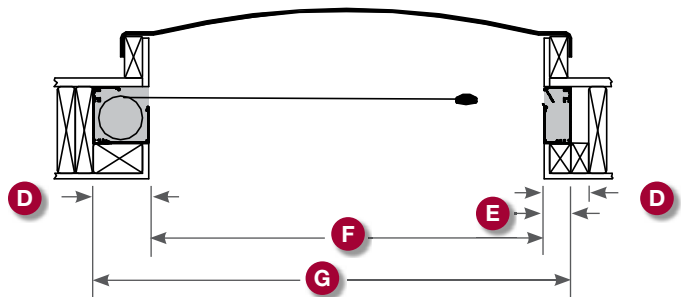
Section view of skylight blind width



DIMENSIONS

- A** 57 mm
- B** Window well width
- C** Frame width (= **B** + 114 mm)

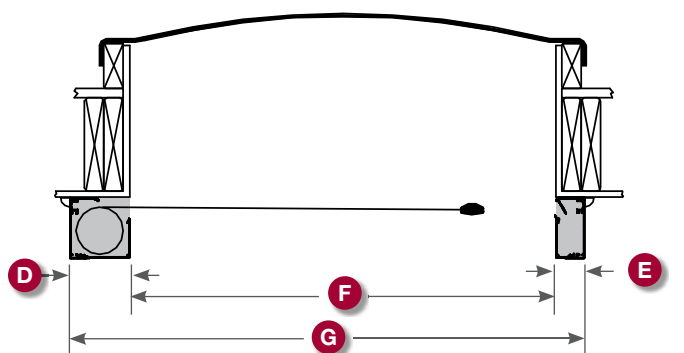
Section view of skylight blind length



DIMENSIONS

- D** 118 mm
- E** 57 mm
- F** Window well length
- G** Frame length (= **F** + 175 mm)

Section view of skylight blind length







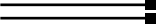

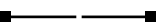

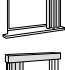
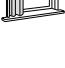



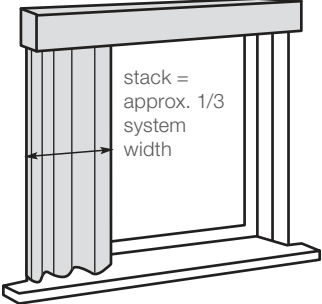
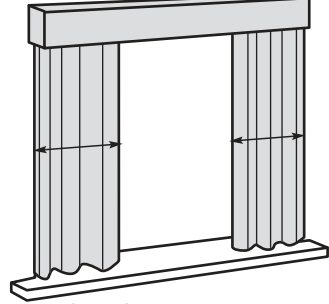
DIMENSIONS

- D** 118 mm
- E** 57 mm
- F** Window well length
- G** Frame length (= **F** + 175 mm)



SIVOIA QED® | CURTAIN TRACK



SIVOIA QED® | CURTAIN TRACK SYSTEM SELECTION GUIDE

Determine how curtain track will be installed	Take system measurements	Determine capacity
<p>MOUNTING CONDITIONS</p> <p><input type="checkbox"/> Wall mount</p> <p><input type="checkbox"/> Ceiling mount</p> <p>TRACK SHAPE (PG. 43)</p> <p><input type="checkbox"/> Straight </p> <p><input type="checkbox"/> Curve </p> <p><input type="checkbox"/> Bend </p> <p>TRACK TYPE (PG. 42)</p> <p><input type="checkbox"/> Single </p> <p><input type="checkbox"/> Dual </p> <p><input type="checkbox"/> Tandem </p> <p><input type="checkbox"/> Dual/Tandem </p> <p>DRAW TYPE</p> <p><input type="checkbox"/> Centre draw </p> <p><input type="checkbox"/> Right draw </p> <p><input type="checkbox"/> Left draw </p> <p>DRIVE SIDE*</p> <p><input type="checkbox"/> Right </p> <p><input type="checkbox"/> Left </p> <p><small>* Drive is field mountable and drive side can be reconfigured on site</small></p>	<p>TRACK LENGTH* †</p> <p>= _____</p>  <p><small>*Estimated opening size is approximately 2/3 of length of track</small></p> <p><small>**Estimated stack back is approximately 1/3 of length of track</small></p> <p>Left or right stack†</p>  <p>stack = approx. 1/3 system width</p> <p>Split-draw stack</p>  <p>each stack = approx. 1/6 system width</p> <p><small>† Refer to Blind Configuration Tool (The SCT) for approximate opening size and stack back</small></p>	<p>CURTAIN WEIGHT</p> <p>= _____</p> <p>System measurements will determine required curtain capacity</p> <p>SYSTEM CAPACITY*</p> <p><input type="checkbox"/> D105 (47 kg)</p> <p><input type="checkbox"/> D145 (66 kg)</p> <p><small>*Capacities required depend upon curtain weight, track shape (bend radius), and track length</small></p>

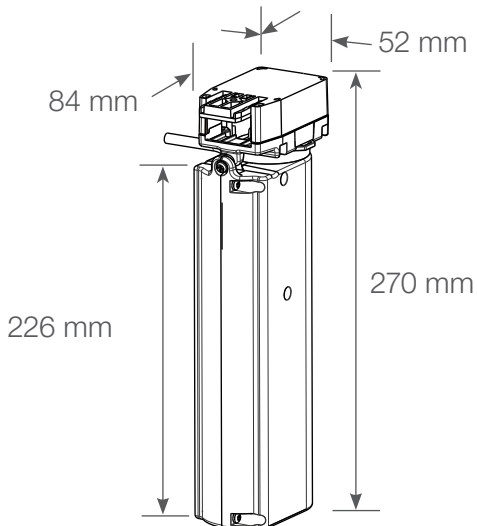
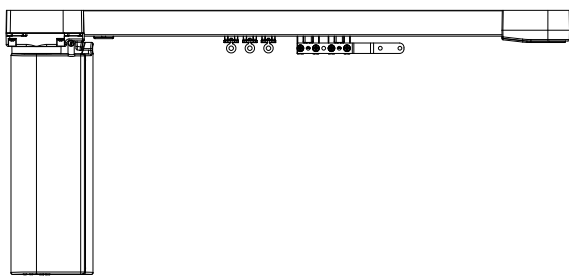
SIVOIA QED® | CURTAIN TRACK SYSTEM SELECTION GUIDE

Specify track requirements	Specify optional features	Specify control requirements
<p>PLEAT STYLE</p> <ul style="list-style-type: none"> <input type="checkbox"/> Pinch pleat  <input type="checkbox"/> Ripplefold  <p>FULLNESS (RIPPLEFOLD ONLY)</p> <ul style="list-style-type: none"> <input type="checkbox"/> 80% <input type="checkbox"/> 100% <input type="checkbox"/> 120% <p>TRACK METAL COLOUR</p> <ul style="list-style-type: none"> <input type="checkbox"/> Bronze <input type="checkbox"/> Clear anodised <input type="checkbox"/> White <input type="checkbox"/> Custom _____ 	<p>TRACK SPLICING (PG. 44)</p> <ul style="list-style-type: none"> <input type="checkbox"/> One splice (ships in 2 sections) <input type="checkbox"/> Two splices (ships in 3 sections) <p><input type="checkbox"/> MANUAL OPEN CARRIER* (PG. 45)</p> <p>* Manual open carrier operates on curtain fabric panels weighing up to 31.7 kg</p>	<p>FOR STANDALONE SYSTEMS:</p> <p>Keypad style:</p> <ul style="list-style-type: none"> p Architectural p Euro-style p International <p>KEYPAD CONFIGURATION (REFER TO PG. 52):</p> <ul style="list-style-type: none"> <input type="checkbox"/> Open/close <input type="checkbox"/> Preset 1 <input type="checkbox"/> Preset 2 <input type="checkbox"/> Preset 3 <input type="checkbox"/> Raise/Lower <input type="checkbox"/> IR receiver <input type="checkbox"/> Dual curtain control <p>COLOUR (REFER TO PG. 51)</p> <ul style="list-style-type: none"> <input type="checkbox"/> Plastic colour _____ <input type="checkbox"/> Metal finish _____ <ul style="list-style-type: none"> <input type="checkbox"/> Infrared receiver <input type="checkbox"/> Dry contact input from third-party systems <p>FOR TOTAL LIGHTING CONTROL:</p> <ul style="list-style-type: none"> <input type="checkbox"/> GRAFIK Eye® (room control) <input type="checkbox"/> HomeWorks® (whole home control) <input type="checkbox"/> GRAFIK® systems (total building control)

CURTAIN TRACK | SYSTEM OVERVIEW

SYSTEM OVERVIEW

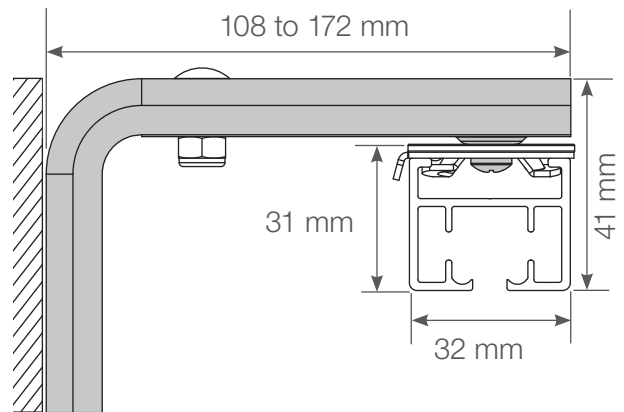
- Provide privacy with elegant curtains of any fabric (customer-supplied)
- One-touch control of individual or groups of curtains for fully-open, fully-closed, or movement to preset positions
- Integrates seamlessly with Sivoia QED® roller blinds
- Patented technology eliminates noise in tracks
- Left-draw, right-draw, split-draw and custom curved systems available



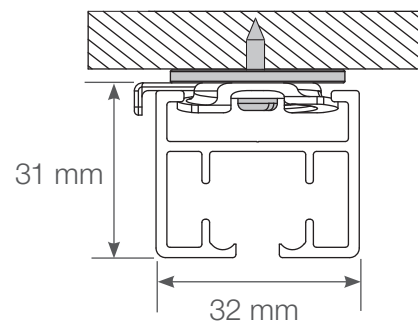
BRACKETS

Sivoia QED curtain track systems can be mounted to the wall or to the ceiling.

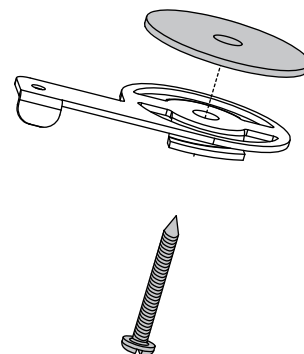
Wall mount bracket



Ceiling mount bracket



Ceiling mount bracket exploded view

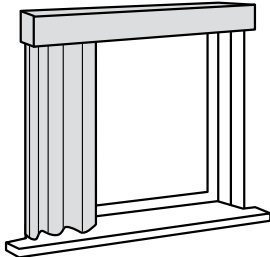


CURTAIN TRACK | MOUNTING OPTIONS

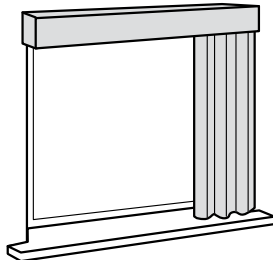
STRAIGHT TRACK MOUNTING OPTIONS

Specify left draw, right draw, or centre draw curtain track options.

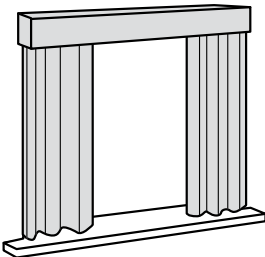
LEFT DRAW/LEFT-MOUNTED EDU



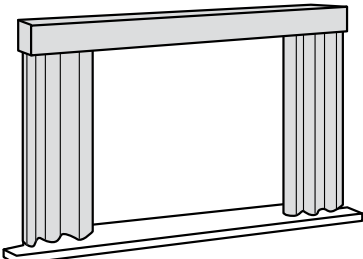
RIGHT DRAW/RIGHT-MOUNTED EDU



SPLIT-DRAW, LEFT- OR RIGHT-MOUNTED EDU

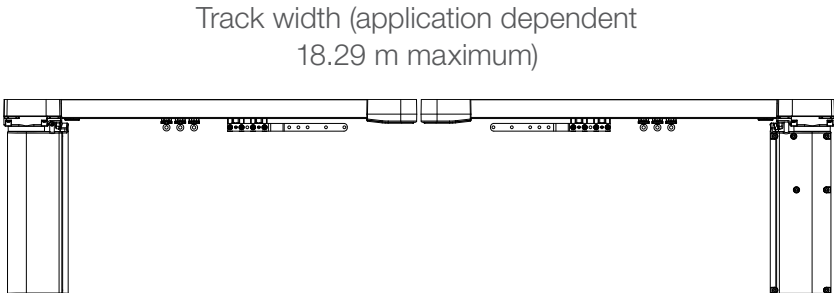
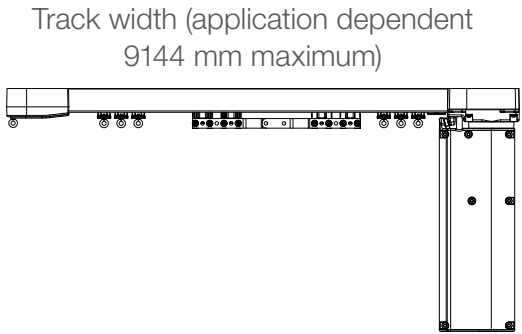
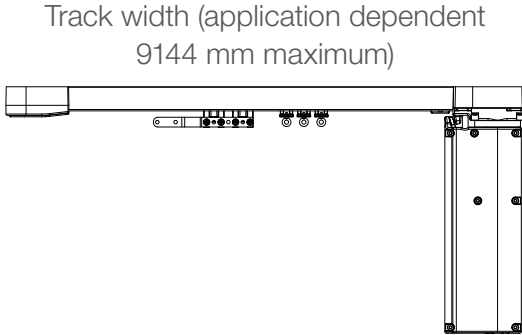
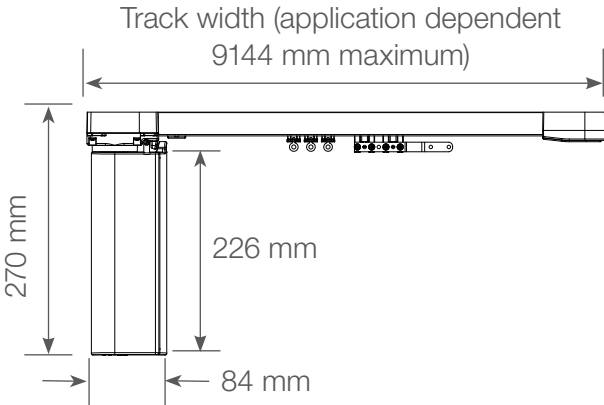


TANDEM DRAW, LEFT- AND RIGHT-MOUNTED EDUS



Note: Valance and curtain not included

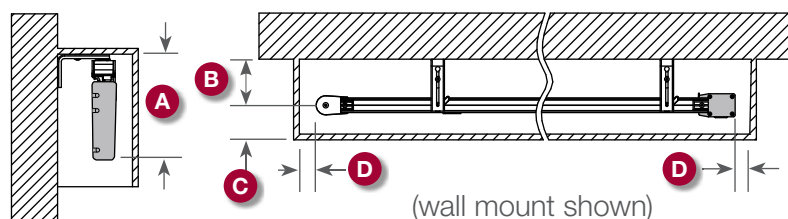
TRACK CONFIGURATION



CURTAIN TRACK | SYSTEM INSTALLATION

SINGLE CURTAIN TRACK SYSTEM

Maintain enough clearance between the curtain track and the inside face of the top treatment or ceiling recess to allow the fabric to move freely.

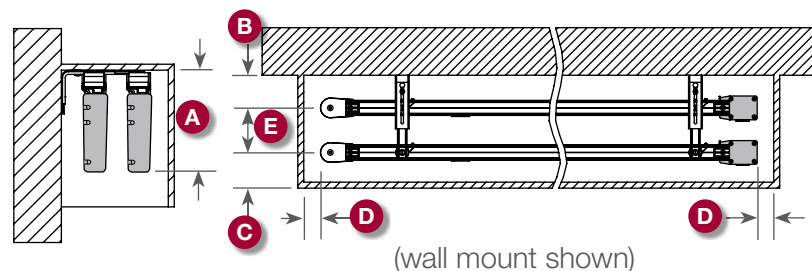


DIMENSIONS

- A** 286 mm
- B** 89 mm
- C** 64 mm
- D** 25 mm

DUAL CURTAIN TRACK SYSTEM

Sivoia QED® curtain tracks can be used for a combination sheer/blackout treatment.

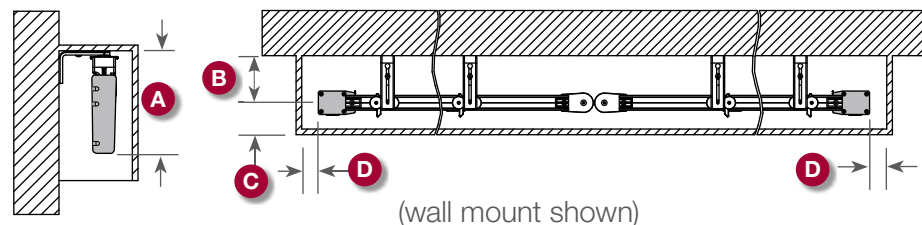


DIMENSIONS

- A** 286 mm
- B** 89 mm
- C** 64 mm
- D** 25 mm
- E** 140 mm

SINGLE, TANDEM CURTAIN TRACK SYSTEM

The accuracy of movement and speed control of the Sivoia QED curtain track system allows two independent systems to be used to create a centre draw curtain.

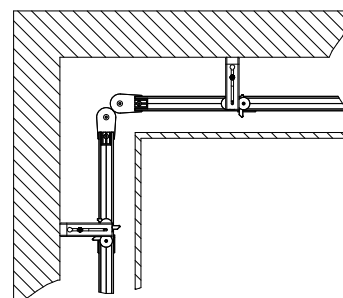


DIMENSIONS

- A** 286 mm
- B** 89 mm
- C** 64 mm
- D** 25 mm

CORNER APPLICATION

Sivoia QED curtain tracks can be used in corner applications.



* Measurements listed are minimums.
Note: Sivoia QED curtain tracks utilise an external EDU

CURTAIN TRACK | CURVED

SIVOIA QED® CURVED CURTAIN TRACK

In addition to straight tracks, Lutron® offers the ultra-quiet Sivoia QED curtain system for curved applications. The system provides the same smooth movement, all preset capabilities, and robust performance.

- Curved tracks are available in a number of standard arcs as well as custom specifications.
- Centre draw and single draw versions are available.
- Up to 90° curves are possible. Curved radius to be greater than 0.5 m.

See chart on pg. 48 for weight capacities of curved tracks. Please contact customer service with specific requests.

ORDER PROCESS:

- 1 Contact your Lutron customer service representative to initiate a job request, and receive a quote along with a custom job number.
- 2 Your representative will provide you with detailed instructions for laying out an exact template of the track.
- 3 Upon order, ship the project template to our factory along with your custom job number.
- 4 Your track order will be processed, and your custom-curved track will ship after production.

CURVE

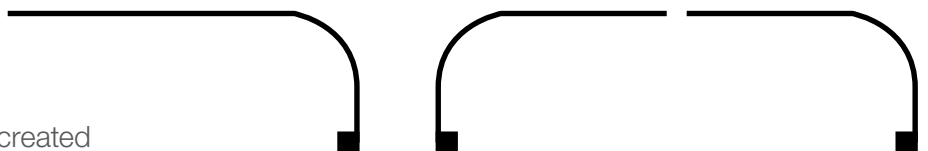
D105 or D145



BEND

D105 or D145

Double bend system can be created with tandem single-bend systems.



DOUBLE CURVE

D145 only

Double curve tracks will incorporate a splice along a middle straight section for ease of shipping.



DOUBLE BEND

D145 only

Double bend tracks will typically incorporate a splice along the middle straight section for ease of shipping.



CURTAIN TRACK | TRACK SPLICING

Track Splicing is available on finished systems and is a convenient solution for the shipment and installation of long curtain tracks.

Spliced curtain tracks are shipped from the factory in multiple sections (two equal sections with one track splice, or three equal sections with two track splices) and are easily reconnected at the installation site using a Splice Bar.

BENEFITS:

- Track maintains quiet operation
- Splice bar allows track to be easily reconnected and ensures a virtually invisible seam
- Available as an option with all straight track systems
- Allows for:
 - Longer standard track lengths - up to 9144 mm, up to 18288 mm for spliced, tandem systems
 - Shorter packaging and easier transportation of the tracks into and within the installation site

- 1** Track arrives in equal sections with a Splice Bar and Allen wrench.



- 2** Sections slide together and are secured with Splice Bar.



- 3** Tightening Splice Bar screws aligns and joins the two track pieces. Track is spliced together and ready for installation.



CURTAIN TRACK | MANUAL OPEN FEATURE

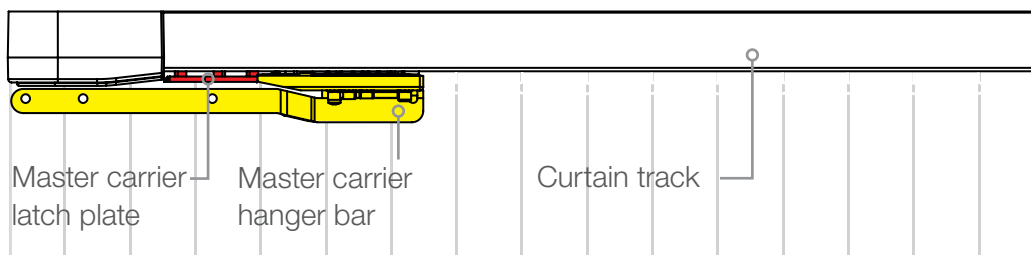
The curtain track system is available with a manual open carrier*. When manual force is applied to the curtain, the master carrier releases, allowing the curtain to open.

Lutron®'s patent-pending spring release system is field-adjustable to customise the amount of force necessary to manually open the curtain.

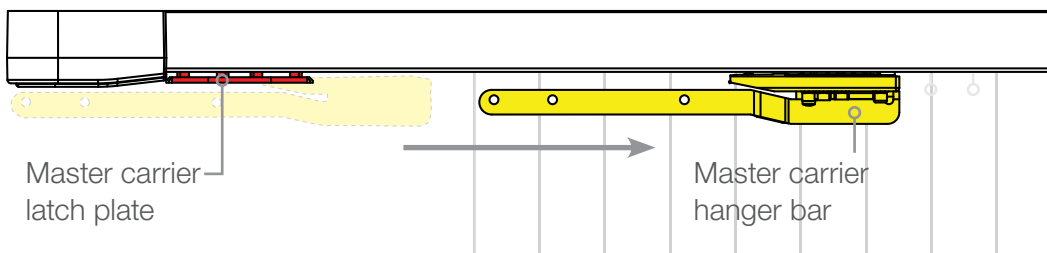
BENEFITS:

- Open curtains during a power loss for access to daylight and the outside
- Prevent damage to the system if a user attempts to pull open the curtain, not realising that the track is motorized

Engaged: Master carrier hanger bar is connected to master carrier latch plate.



Disengaged: When the curtain is manually opened, master carrier hanger bar releases from master carrier latch plate.



To re-engage: Manually re-engage the curtain by pulling it back to the closed position, or press the “Open” button on the curtain control for automatic re-engagement.

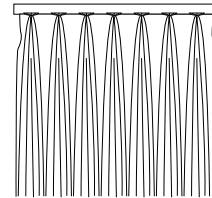
* Manual open carrier operates on curtain fabric panels weighing up to 31.7 kg.

CURTAIN TRACK | PINCH PLEAT CURTAIN PANELS

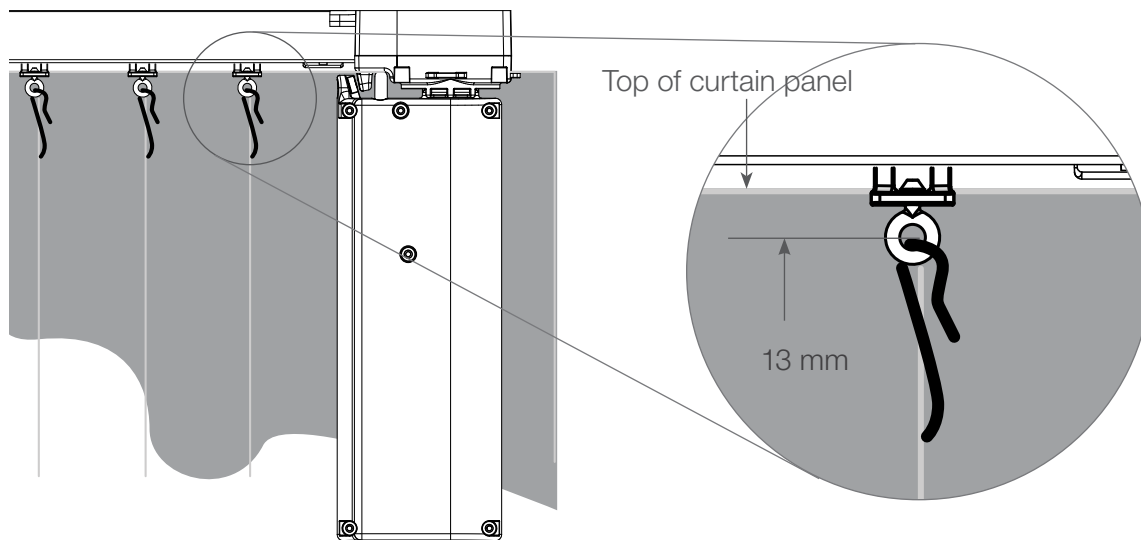
PINCH PLEAT | CURTAIN HOOK ASSEMBLY

Pinch pleat style is named for the pleated look created by pinched gatherings of the fabric at the top of the curtain. Pins on the back of the curtain are simply looped through the carriers on the track when installed.

For best performance, use a curtain hook setting of 0.5 in. (13 mm) from top of drape. This allows the system to operate with minimal noise.

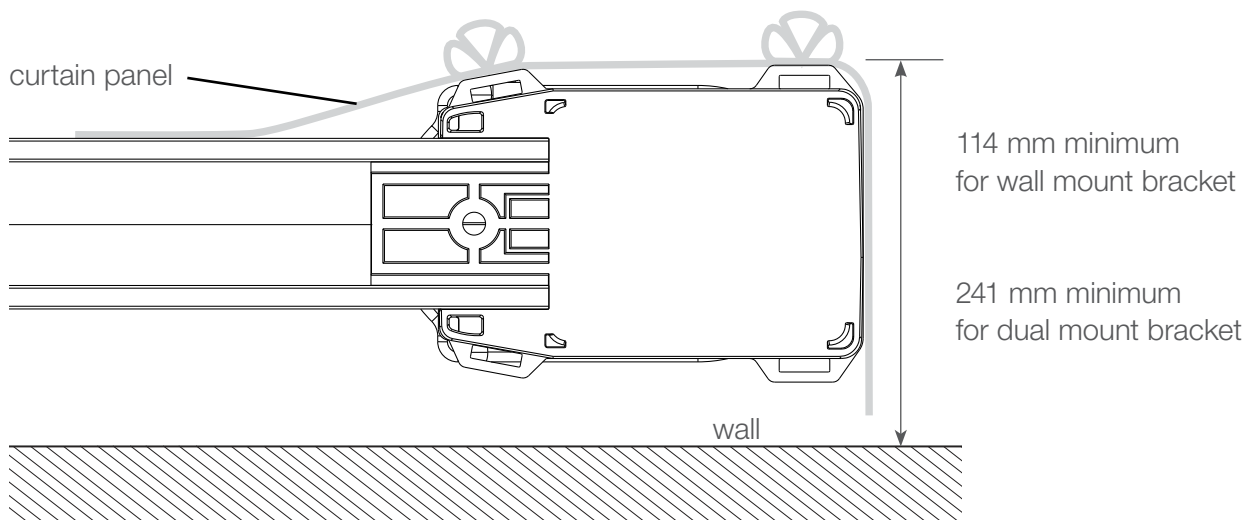


CURTAIN HOOK ASSEMBLY



CURTAIN FABRIC RETURN

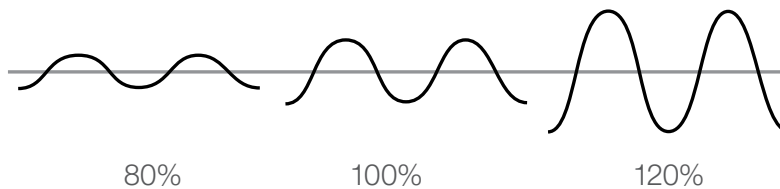
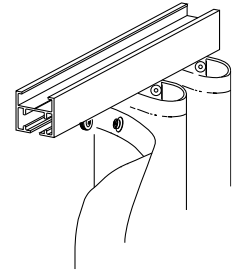
(pinch pleat curtain shown)



CURTAIN TRACK | RIPPLEFOLD CURTAIN PANELS

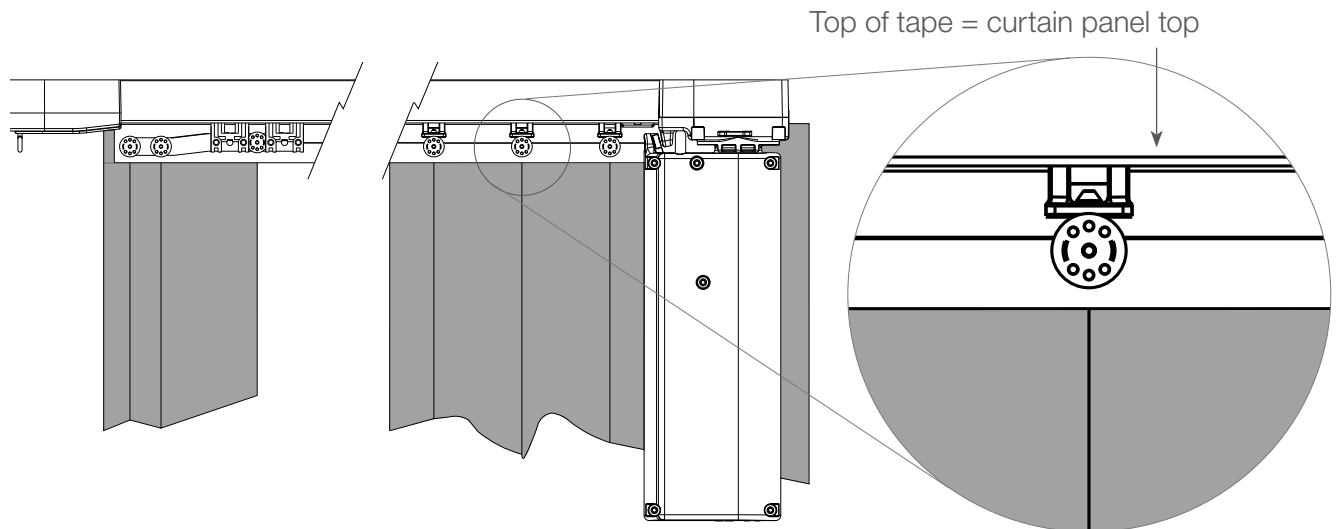
Ripplefold pleat style is named for the soft, consistent ripples created by the curtain as it hangs from the track.

- Curtain is constructed with snap tape (Graber® is required) that allows the curtain to be snapped directly to the auxiliary carriers on the track
- Fullness of the curtain is determined by the spacing of the carriers in the track. The higher the fullness factor, the more full the curtains appear.*

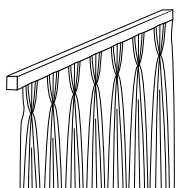


* Lutron® ripplefold tracks are available in 3 fullness factors: 80%, 100%, 120% (100% shown above)

CURTAIN TAPE ASSEMBLY



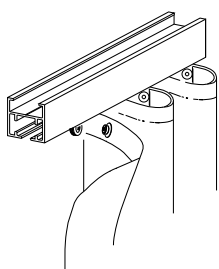
CURTAIN TRACK | SYSTEM CAPACITY



Please refer to the following charts for pinch pleat system capacities.

SIVOIA QED® D105 PINCH PLEAT SYSTEM CAPACITY		
System width	Straight track	Curved track, 1 bend
600 mm to 800 mm	9 kg	N/A (track too short)
800 mm to 1100 mm	13.6 kg	13.6 kg
1100 mm to 1400 mm	18 kg	18 kg
1400 mm to 1700 mm	24.9 kg	22.7 kg
1700 mm to 2133 mm	29.5 kg	22.7 kg
2133 mm to 2743 mm	36.3 kg	24.9 kg
2743 mm to 3353 mm	47.6 kg	24.9 kg
3353 mm to 3962 mm	45.3 kg	27.2 kg
3962 mm to 5486 mm	36.3 kg	24.9 kg
5486 mm to 6401 mm	31.7 kg	22.7 kg
6401 mm to 7315 mm	27.2 kg	20.4 kg
7315 mm to 8230 mm	22.7 kg	20.4 kg
8230 mm to 9144 mm	18 kg	15.9 kg

SIVOIA QED D145 PINCH PLEAT SYSTEM CAPACITY			
System width	Straight track	Curved track, 1 bend	Curved track, 2 bends
600 mm to 800 mm	9 kg	-	-
800 mm to 1100 mm	13.6 kg	13.6 kg	-
1100 mm to 1400 mm	18 kg	18 kg	-
1400 mm to 1700 mm	24.9 kg	24.9 kg	18 kg
1700 mm to 2134 mm	29.5 kg	29.5 kg	20.4 kg
2134 mm to 2743 mm	36.3 kg	36.3 kg	22.7 kg
2743 mm to 3657 mm	47.6 kg	38.6 kg	22.7 kg
3657 mm to 4572 mm	65.8 kg	40.8 kg	24.9 kg
4572 mm to 5486 mm	61.2 kg	43 kg	24.9 kg
5486 mm to 6400 mm	54.4 kg	43 kg	24.9 kg
6400 mm to 7315 mm	49.9 kg	43 kg	22.7 kg
7315 mm to 8230 mm	45.4 kg	40.8 kg	22.7 kg
8230 mm to 9144 mm	40.8 kg	38.6 kg	20.4 kg



Please refer to the following charts for ripplefold system capacities.

SIVOIA QED D105 RIPPLEFOLD SYSTEM CAPACITY	
System width	Straight track
600 mm to 800 mm	13.6 kg
800 mm to 1100 mm	18 kg
1100 mm to 1400 mm	24.9 kg
1400 mm to 1700 mm	31.7 kg
1700 mm to 2743 mm	38.5 kg
2743 mm to 3962 mm	29.5 kg
3962 mm to 4572 mm	18 kg
4572 mm to 5486 mm	4.5 kg for 80% fullness 4.5 kg for 100% fullness n/a (capacity limit) for 120% fullness

SIVOIA QED D145 RIPPLEFOLD SYSTEM CAPACITY	
System width	Straight track
600 mm to 800 mm	13.6 kg
800 mm to 1100 mm	18 kg
1100 mm to 1400 mm	24.9 kg
1400 mm to 1700 mm	31.7 kg
1700 mm to 2133 mm	38.5 kg
2133 mm to 2743 mm	47.6 kg
2743 mm to 3353 mm	63.5 kg
3353 mm to 4267 mm	56.9 kg
4267 mm to 5486 mm	40.8 kg
5486 mm to 6400 mm	22.7 kg

SIVOIA QED® | CONTROLS



LUTRON® | SEETOUGH® KEYPADS



ELEGANT SEETOUGH KEYPADS COMPLEMENT ANY DÉCOR

Choose from several keypad styles and over 20 colours and finishes including metals.

Sivoia QED® keypads offer ergonomic, backlit buttons for easy viewing in a darkened room. Integrate with Lutron lighting controls for total light control of electric light and daylight.

EASY TO USE REMOTE CONTROLS

Easily control one roller blind or a whole group of blinds with convenient handheld remote controls.

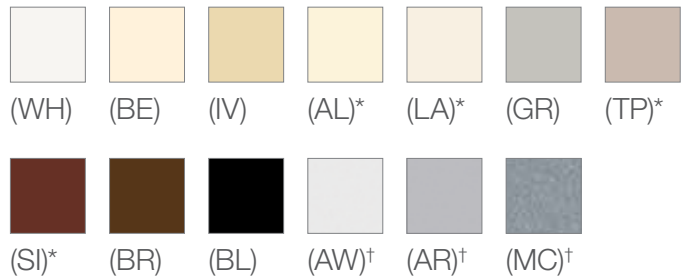


shown actual size

SEETOUCH® KEYPADS | COLOUR OPTIONS

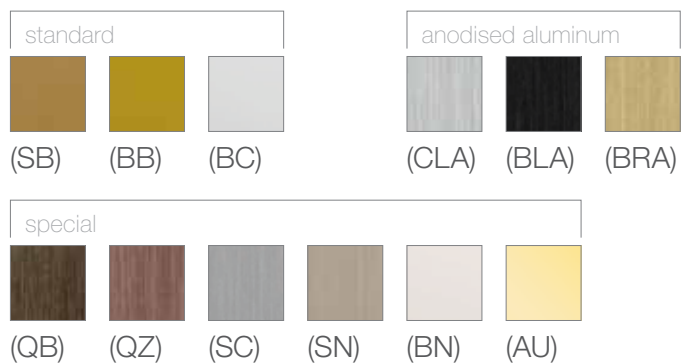
ARCHITECTURAL MATTE FINISH PALETTE

(WH) White	(SI) Sienna*
(BE) Beige	(BR) Brown
(IV) Ivory	(BL) Black
(AL) Almond*	(AW) Arctic White†
(LA) Light Almond*	(AR) Argentum†
(GR) Gray	(MC) Mica†
(TP) Taupe*	



METAL FINISHES PALETTE

(SB) Satin Brass	(QB) Antique Brass
(BB) Bright Brass	(QZ) Antiq. Bronze
(BC) Bright Chrome	(SC) Satin Chrome
(CLA) Clear Anodised Aluminium	(SN) Satin Nickel
(BLA) Black Anodised Aluminium	(BN) Bright Nickel
(BRA) Brass Anodised Aluminium	(AU) Gold Plated



Colour samples shown are representations only. See product samples for exact finishes, and ask your Lutron® sales representative for colour availability.

* Note: Non-standard colour offering. Contact Customer Service for additional information.

SIVOIA QED® | INTERNATIONAL SEETOUCH® CONTROL OPTIONS

COLOUR AND FINISH ORDERING SAMPLE:

SQIS-2(I/F)-XX-I01

Include **I** for insert style.

Include **F** for non-insert style.

Include colour code (**XX**) to specify colour/finish.

INTERNATIONAL SEETOUCH KEYPADS

86 mm w x 86 mm h



Open/Close

P/N **SQIS-2F-XX-I01**



Open/Close

P/N **SQIS-2I-XX-I01**



Open/Close
with Raise/Lower

P/N **SQIS-2RLF-XX-I01**



Open/Close
with Raise/Lower

P/N **SQIS-2RLI-XX-I01**



SQIS-2RLF-SN-I01

shown actual size



SEETOUCH® CONTROL OPTIONS ARCHITECTURAL STYLE

COLOUR AND FINISH ORDERING SAMPLE:

SQA-2(I/N)-XX-E01

Include **I** for insert style

Include **N** for non-insert style

Include colour code (**XX**) to specify colour/finish.

SEETOUCH

70 mm h x 118 mm w



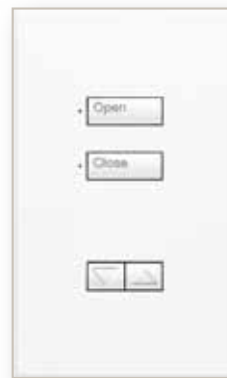
SQA-2(I)-XX-E01

Two button keypad
insert style shown



SQA-3(N)-XX-E01

Three button keypad
non-insert style shown



SQA-2R(N)-XX-E01

Two button keypad
with raise/lower



SQA-3R(N)-XX-E01

Three button keypad
with raise/lower



SQA-4E(N)-XX-E01

Four button keypad
with raise/lower
and infrared reception



SQA-5R(N)-XX-E01

Five button keypad
with raise/lower



SQA-2D(N)-XX-E01

Four button keypad for dual roller blinds or two group applications



SQA-3D(N)-XX-E01

Six button keypad for dual roller blinds or two group applications



SQA-2N-WH-E01

shown actual size
Architectural, non-insert style shown



SVQ-CCI-8

Sivoia QED® contact closure input board

DIMENSIONS

Width:

with cover: 146 mm
without cover: 127 mm

Height:

with cover: 273 mm
without cover: 260 mm

Depth: 51mm

SIVOIA QED® | EURO-STYLE CONTROL OPTIONS

COLOUR AND FINISH ORDERING SAMPLE:

SQE-2N-**XX**-I01

Include colour code (**XX**) to specify colour/finish.

EURO-STYLE KEYPADS

86 mm w x 86 mm h



SQE-RLN-XX-I01

Two button keypad



SQE-2N-XX-I01

Two button keypad



SQE-3EN-XX-I01

Three button keypad with raise/lower and infrared reception



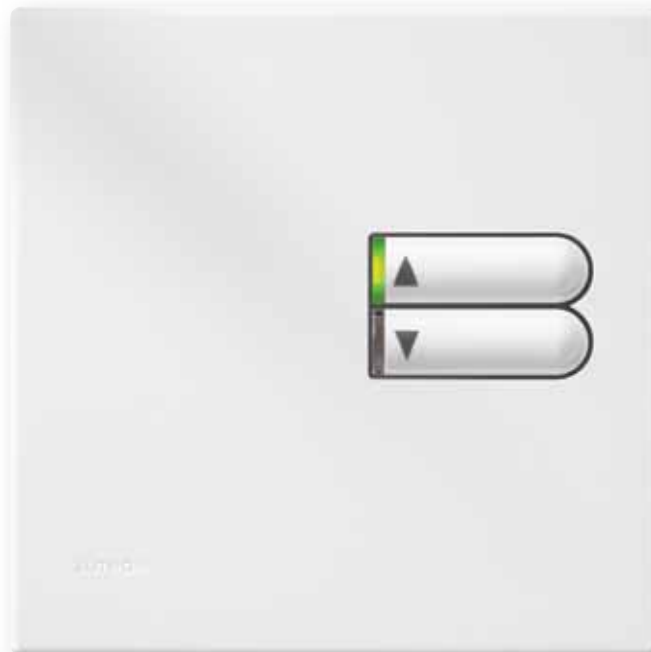
SQE-3DN-XX-I01

Six button keypad for dual mount or two group applications



SQE-33N-XX-I01

Six button keypad for three group applications



SQE-RLN-WH-I01

shown actual size

INFRARED TRANSMITTERS

Lutron recently introduced a newly expanded line of infrared transmitters. The line features the following styles:

- Classic single roller blind group control with raise/lower functionality
- Control of a single roller blind group with raise/lower functionality and a “favourite” scene button
- Control of a dual roller blind and/or curtain group with raise/lower functionality and a “favourite” scene button for each group
- Control of a single roller blind group and a zone of lights with a “favourite” scene button for each group



SVIT-SH-WH
(actual size)

IR | REMOTE CONTROL

FOUR STYLES OF INFRARED REMOTE CONTROLS SHOWN BELOW

The newly expanded line of infrared transmitters gives users convenient control of single or dual groups of window treatments, as well as control of light and blind groups in rooms with integrated systems. The transmitters feature a clean and simple aesthetic that is intuitive for all users. Engravings shown are standard — **custom engraving is available.**



CLASSIC STYLE

SVIT-WH (as shown)

- Open, Close
- Dimensions:
Width: 38 mm
Length: 117 mm
Depth: 17 mm



SINGLE BLIND GROUP

Open, Close,
Favourite preset button

SVIT-SH-WH (as shown)

- Blind

SVIT-DR-WH

- Drape



2 BLIND GROUPS

- Group 1: Open, Close, Favourite preset button
- Group 2: Open, Close, Favourite preset button

SVIT-SC-BL-WH (as shown)

- Screen
- Blackout

SVIT-SR-BL-WH

- Sheer
- Blackout

SVIT-SH-DR-WH

- Blind
- Drape

SVIT-SH-DH-WH

- Blind 1
- Blind 2

(Custom engraving available.)



BLIND AND LIGHTING CONTROL

Blinds: Open, Close,
Favourite preset button
Lights: On, Off,
Favourite preset button

SVIT-GRX-DR-WH

- Light (GRAFIK Eye® lighting)
- Drape (Lutron® curtains)

SVIT-GRX-SH-WH (as shown)

- Light (GRAFIK Eye lighting)
- Blind (Lutron blinds)

SVIT-MIR-SH-WH

- Light (Rania® IR lighting)
- Blind (Lutron blinds)

SVIT-MIR-DR-WH

- Light (Rania IR lighting)
- Drape (Lutron curtains)

(Custom engraving available.)

IR | REMOTE CONTROL

CONVENIENCE

Choose from a variety of hand-held remotes to control Sivoia QED® systems. Sivoia QED electronic drive units offer built-in infrared reception.



SVQ-3PIT-WH

Three preset hand-held infra-red remote

- Offers open/close, three programmable presets and fine-tune raise/lower control
- Can control one roller blind or a group of blinds together
- Dimensions:
Width: 38 mm
Length: 145 mm
Depth: 22 mm



SVQ-4GD-OCIT-WH

Multi-function hand-held infrared remote

- Designed specifically to control both individual and groups of roller blinds
- Ideal for dual-mounted roller blinds (to control two blinds on the same window)



SV-IR-EXT-10

3 m extension piece

- 5 extensions maximum



SV-IR-XX

Remote infrared eye for Sivoia QED

- Receives remote IR signal from any Sivoia QED handheld infrared remote controls
- Available in white (WH) or royal plum (RP)

LUTRON® DIMMERS | SEAMLESS COORDINATION

Complement your design using the colours of Lutron for a coordinated look throughout your space. Lutron dimmers and accessories come in a variety of styles and finishes and add ambiance, convenience, and energy savings.

LUTRON DIMMERS



Rania®



Rania dual



Rania IR



Lyneo®



Solina® floor and table lamp dimmers

COLOURS AND FINISHES:



Arctic White
(AW)



Argentum
(AR)



Mica
(MC)



Satin Nickel
(SN)*



Bright Nickel
(BN)*



Satin Brass
(SB)*



Bright Brass
(BB)*



Satin Chrome
(SC)*



Bright Chrome
(BC)*



Antique Bronze
(QZ)*



Antique Brass
(QB)*



Gold Plated
(AU)*

* Metal finish. Comes with black buttons.

Multiple devices with line and low-voltage can be mounted under a common frame.

WALLPLATE CONFIGURATIONS

2-gang frame with Rania® and roller blind keypad



WALLPLATE CONFIGURATIONS

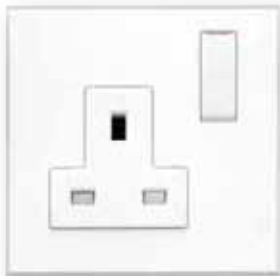
2-gang frame with Lyneo® and roller blind keypad



LUTRON® ACCESSORIES | SEAMLESS COORDINATION

LUTRON ACCESSORIES

Refer to pg. 60 for colour and finish options.



UK switched socket



Schuko socket



French socket



Triplexer - terminated



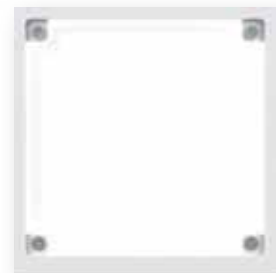
RJ-11 phone jack Cat 3



2-port frame

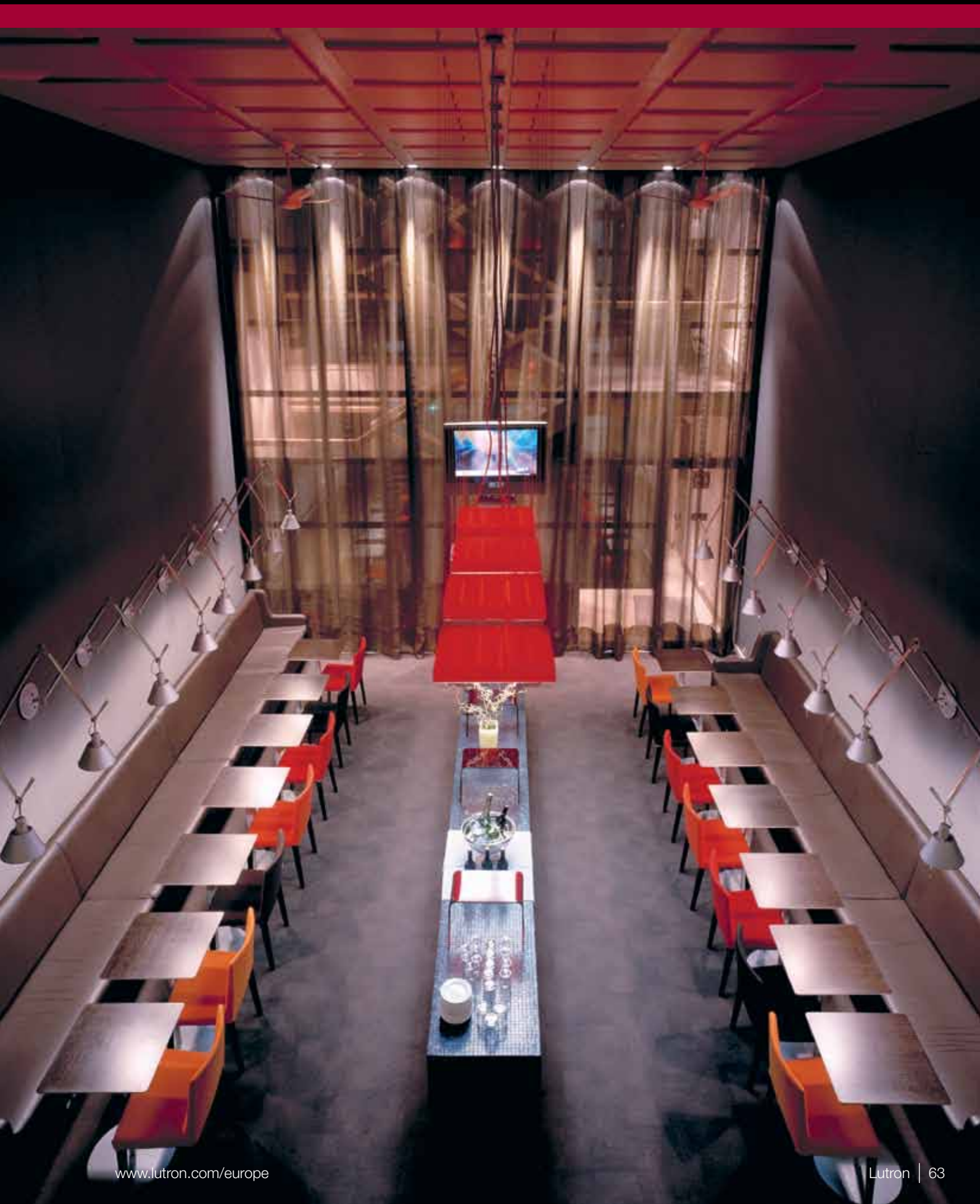


Single switch (standard and momentary)



1-3 gang frames

SIVOIA QED® | WIRING



SIVOIA QED® | WIRING OVERVIEW

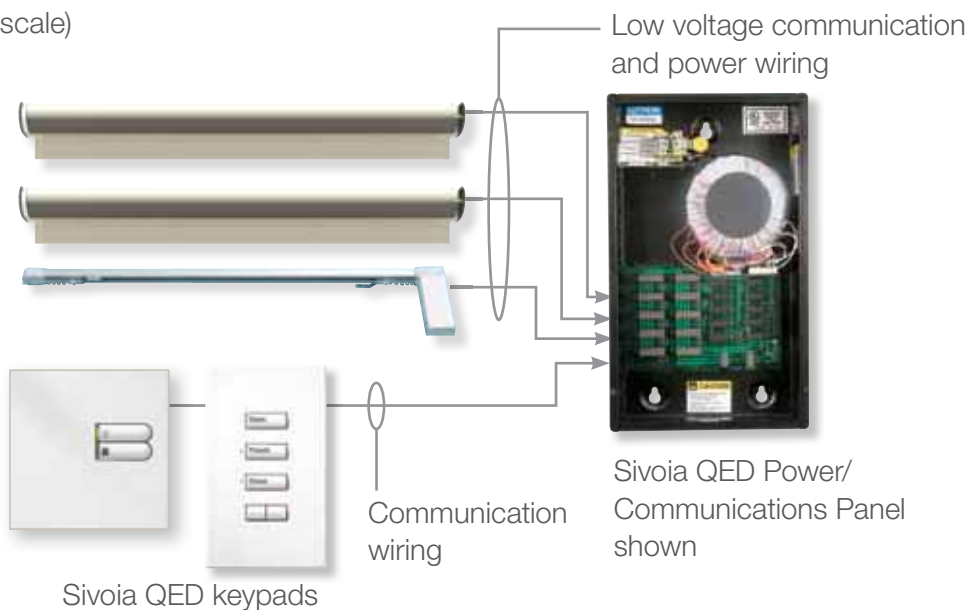
SIVOIA QED SYSTEM LAYOUT

Common components for a Sivoia QED roller blind system (not shown to scale)

Roller or skylight blinds containing electronic drive units (EDU)

Curtain track containing EDU

Infrared remote (optional)



SIVOIA QED SYSTEM WIRING DETAILS

- Sivoia QED utilises 24V~ for power
- Wiring may be centralised utilising a Sivoia QED power panel, or individual transformers can be installed for a localised wiring scheme

INDIVIDUAL TRANSFORMER

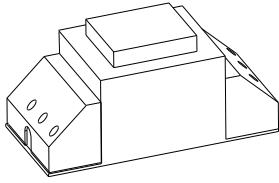
- For smaller projects, or to more easily accommodate retrofit applications

SIVOIA QED POWER PANEL

SVQ-10-PNL-230

- Provides power and communication wiring for up to 10 Sivoia QED EDUs
- Utilises a custom seven-conductor combination communication/power cable (SVQ-CBL-250) or specify separate power and communication wiring.

POWER AND OPTIONS | INDIVIDUAL TRANSFORMER



SV-100SF-230-ST

75VA screw terminal transformer

DIMENSIONS:

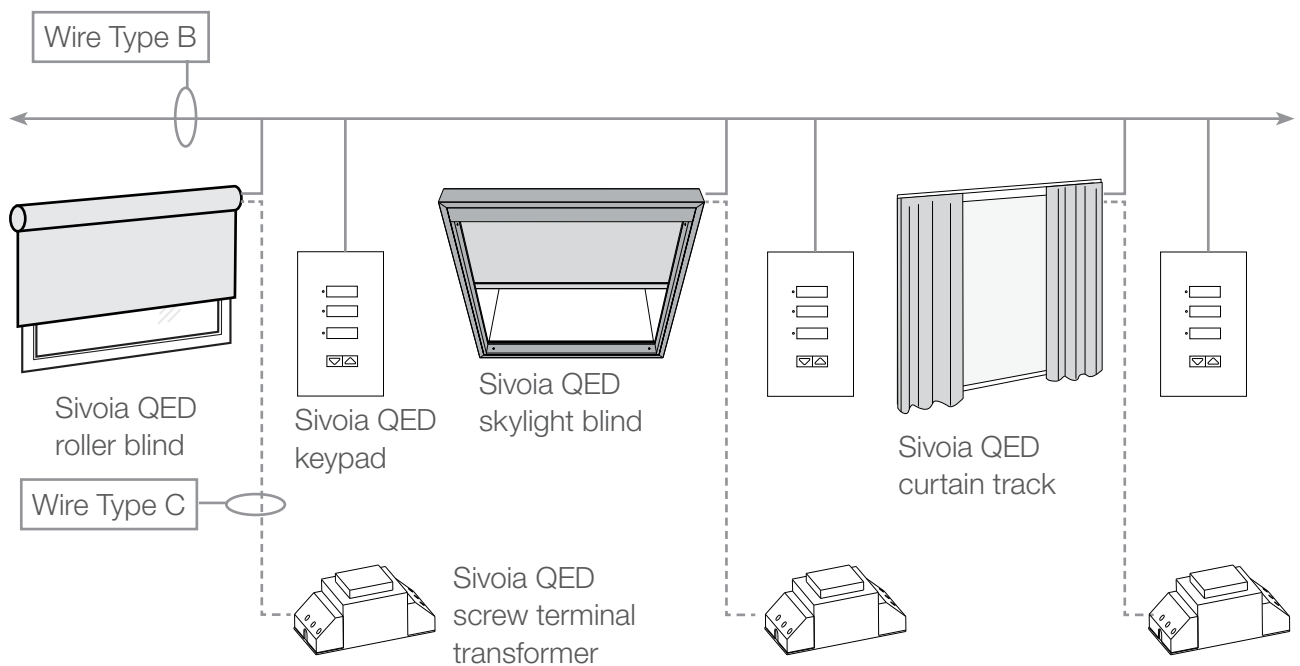
Width: 77 mm

Length: 166 mm

Depth: 75 mm

Roller Blinds: up to 20.9 sq m of fabric

Curtain Track: 66 kg curtain track system, maximum wire length of 15.24 m



WIRING TYPE KEY

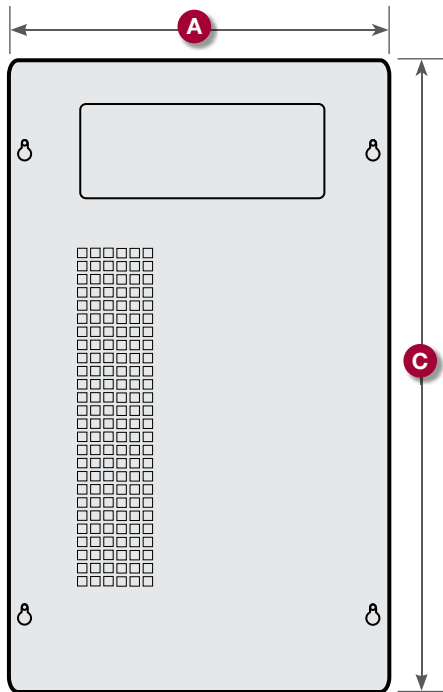
Type B **Comm Link**
4 conductor 1 sq. mm (twisted/shielded)

Type C **Power Supply**
3 conductor 0.8 -1.5 sq mm

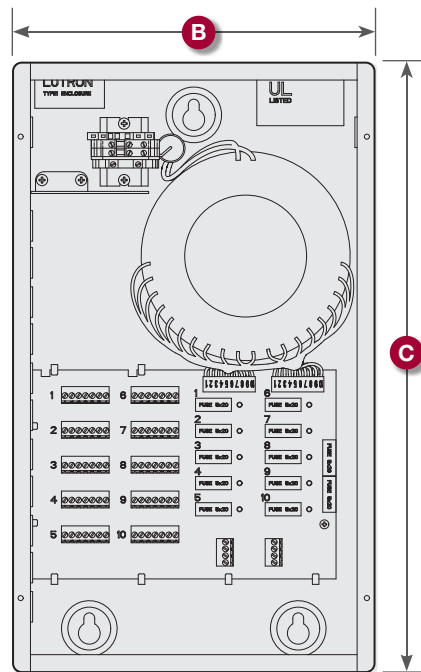
Notes:

1. Each transformer powers 1 EDU and 1 keypad
2. Each 75VA transformer uses .45A. Up to 20 75VA transformers per 10A circuit

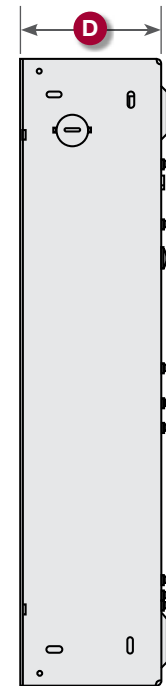
POWER OPTIONS | POWER PANEL



with cover



without cover



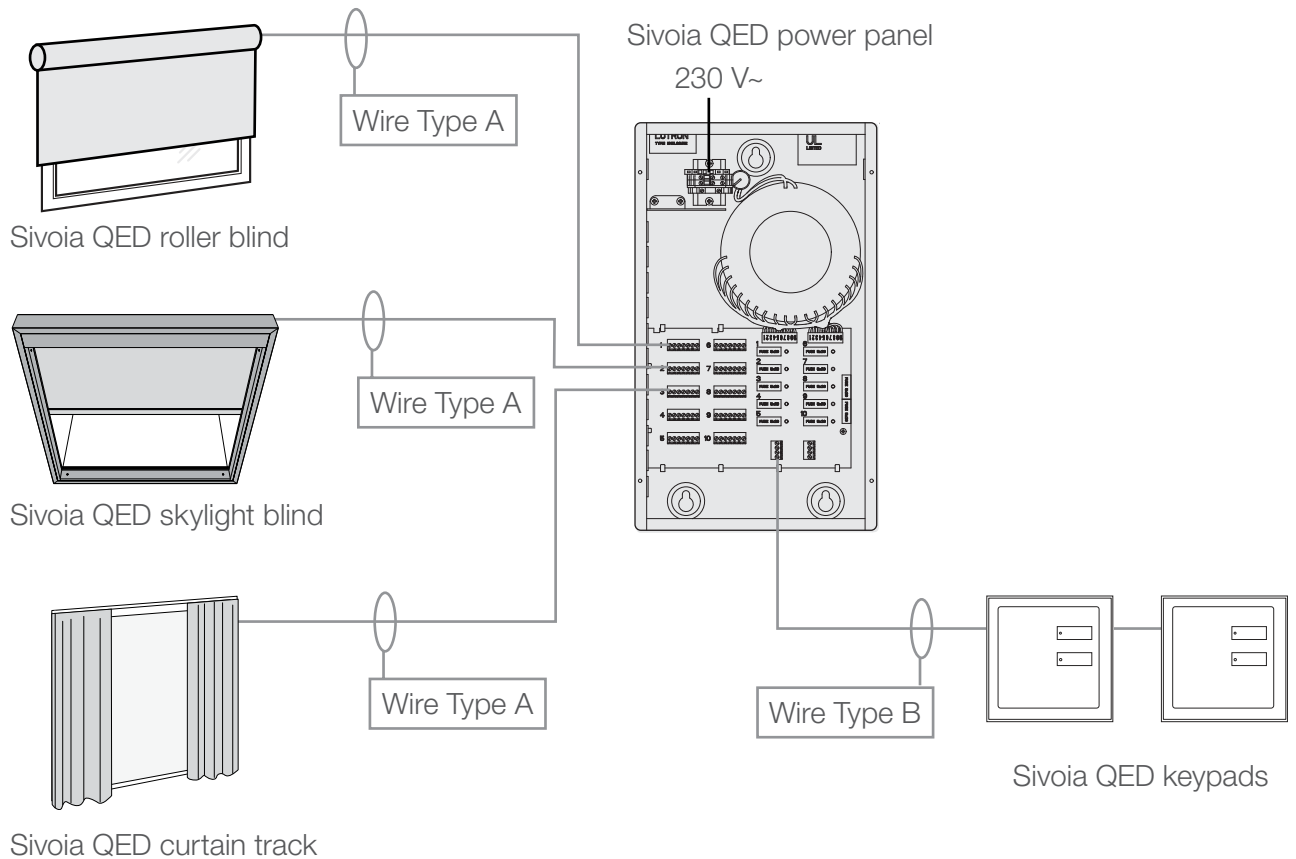
DIMENSIONS

- A** 264 mm
- B** 241 mm
- C** 445 mm
- D** 99 mm



SVQ-10-PNL-230

POWER OPTIONS | POWER PANEL WIRING DIAGRAM



WIRING TYPE KEY

Type A **SVQ-CBL-250 Power and communications**

7 conductors:

- 2 1.5 sq. mm Power Supply
- 1 1 sq mm Earth Ground
- 4 1 sq mm Comm link (twisted/shielded)

Type B **Comm Link**

- 4 conductor 1 sq mm (twisted/shielded)

Notes:

1. The Sivoia QED power panel powers up to 10 EDUs and 10 keypads
2. The Sivoia QED power panel uses a maximum of 4A. Maximum of two (2) panels per 10A circuit

SIVOIA QED® | LUTRON® SUPPLIED CABLE

SIVOIA QED CABLE

Lutron offers a 7-core cable which incorporates both power and communications into the same bundle.

SVQ-CBL-250 POWER AND COMMUNICATIONS

7 CONDUCTORS:

- 2 1.5 sq mm Power Supply
- 1 1 sq mm Earth Ground
- 4 1 sq mm Comm link (twisted/shielded)



SVQ-CBL-250

TRANSFORMER CAPACITY (230 V~)

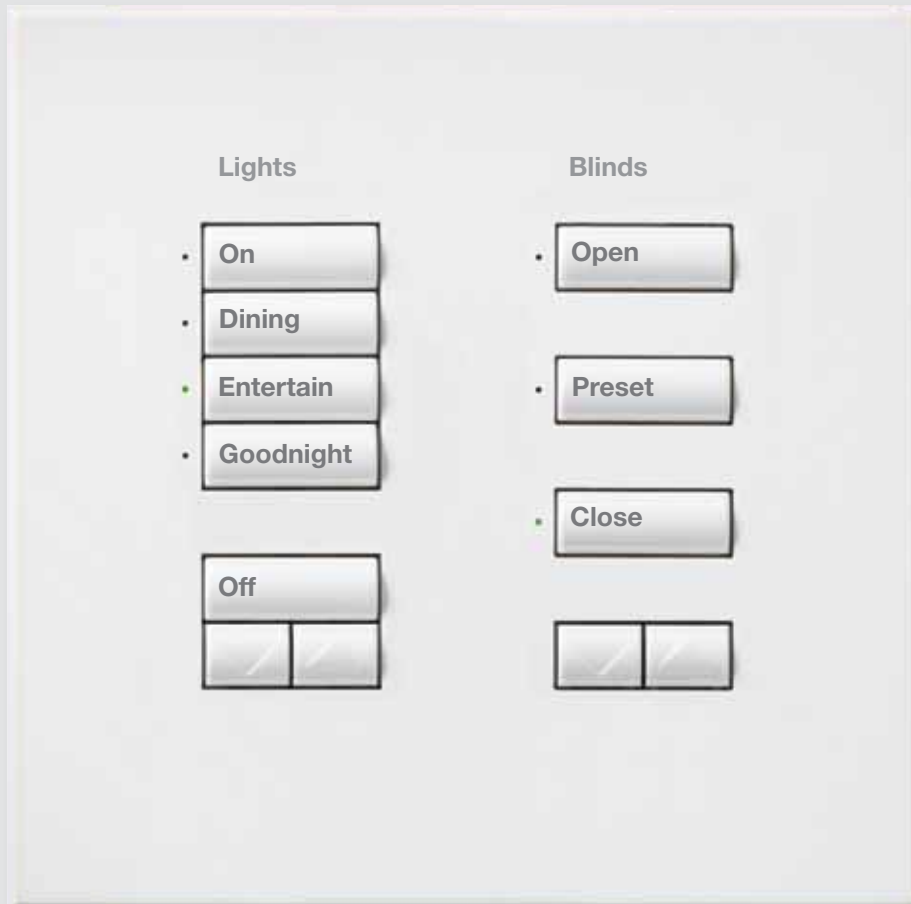
Model number	Current per transformer	Transformers per 10 A circuit
SVQ-10-PNL-230	4 A/panel	2 panels 20 EDUs
SV-100SF-230-ST	.45 A	20

Each EDU requires a dedicated transformer. One SVQ-10-PNL-230 powers up to ten EDUs.

Refer to Sivoia QED Applications Note #2 for alternative cable options. (www.lutron.com/shadingsolutions)

SIVOIA QED® | INTEGRATION





Architectural-style keypad (shown actual size)

CONVENIENCE AND ELEGANCE

Seamlessly integrate blinds and curtains with Lutron® lighting control systems throughout the home. Adapt electric lights and daylight to the perfect level for relaxing, watching a movie, or reading a book. Manage all light using seeTouch® controls available in a wide variety of colours and finishes.

SINGLE ROOM

Lutron preset lighting control systems offer scene-based control of the light in any area of the home. One button can adjust lighting and blinds with subtle or dramatic transitions.

- Home theatre
- Bedroom
- Living room
- Kitchen

WHOLE HOME

Expand one-touch control to the entire home with Lutron HomeWorks® and RadioRA® lighting control systems. Integrate with A/V, security, and other home systems. Simplify daily routines, add comfort and convenience, and enhance security, all at the touch of a button.



Architectural-style keypad (shown actual size)



FLEXIBLE INTEGRATION

Make a space as productive as possible with one-touch control of both electric light and daylight. Keep presentations moving smoothly with intuitive keypads. Maximise HVAC efficiency throughout an entire building with automated adjustment of blinds and lighting.

SINGLE SPACE

Bring integrated control of lighting, shading systems, and projection screens to presentation spaces and classrooms. Lutron® preset lighting control systems, such as GRAFIK Eye®, are simple to use and can be easily retrofitted into any space.

- Conference room
- A/V presentation space
- Classroom




WHOLE BUILDING

Control lighting and shading throughout an entire building with Lutron building lighting controls, such as GRAFIK® systems. Lighting for restaurants, hospitality spaces, and corporate areas can be easily controlled and adjusted.

- Reduce glare and eye fatigue
- Maximise HVAC efficiency
- Increase productivity

INTEGRATION | LIGHTING CONTROL INTERFACES

Sivoia QED® integrates shading with Lutron® lighting control systems. Provide total lighting control for single room, whole home, or whole building solutions.

Single room lighting control	GRAFIK Eye®	 SG-SVC	<ul style="list-style-type: none">• Provides two-way communication between Sivoia QED and GRAFIK 3000 or GRAFIK 4000 lighting control systems• Allow 1 zone on the GRAFIK Eye main unit for each system
Whole home lighting control	HomeWorks®	 HWI-Q96	<ul style="list-style-type: none">• Provides two-way communication between HomeWorks and Sivoia QED systems for up to 96 devices
Whole building lighting control	GRAFIK 5000™ GRAFIK 6000® GRAFIK 7000™	 SG-SVC	<ul style="list-style-type: none">• Provides two-way communication between Sivoia QED and GRAFIK 5000, GRAFIK 6000, and GRAFIK 7000 lighting control system• Occupies one address on wallstation link

SIVOIA QED® | SPECIFICATION TOOLS



LITERATURE



SIVOIA QED OVERVIEW

(P/N 367-1373/EA)
Complete overview of Sivoia QED product line



SIVOIA QED SPECIFICATION CATALOGUE

(P/N 367-1455/EA)
Specifier's overview of Sivoia QED product line



CURTAIN TRACK CATALOGUE

(P/N 367-1427/EA)
Unique dual-sided brochure that addresses applications and product innovations.

TECHNICAL TOOLS



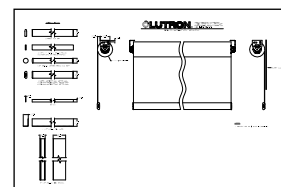
SPECIFICATION SUBMITTALS

(www.lutron.com/shadingsolutions)



WRITTEN SPECIFICATIONS

(www.lutron.com/shadingsolutions)
CSI and master spec format for Sivoia QED product line



CAD DRAWINGS

(www.lutron.com/shadingsolutions)
Dimensional drawings or system components available in .DWG, .DXF, and .PDF formats

FABRIC AND MATERIAL SAMPLING

Sampling tools include a collection of roller blind fabric cards. Availability of all fabrics and materials subject to change without notice. For samples, contact customer service.



FABRIC SAMPLING

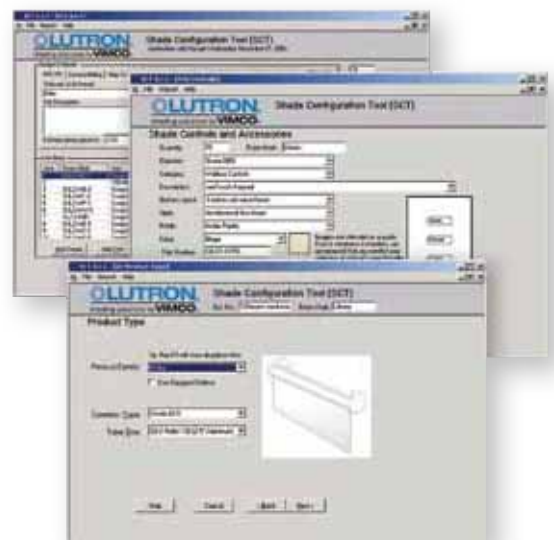
The 203 mm x 254 mm sampling program is provided to support specification submittals. For samples, contact customer service.

Metal colour samples for lineals such as fascia and side channels are also available.



BLIND CONFIGURATION TOOL (THE SCT) SOFTWARE

Lutron® continues to improve this dynamic, indispensable tool. Now, easier interfaces and more detailed illustrations allow to you to specify your shading products quickly and efficiently. The SCT includes the latest engineering guidelines and products and is the first step to obtaining fast, accurate quotes for your order.





AESTHETICS

MINIMAL, SYMMETRICAL LIGHT GAPS

Sivoia QED roller blind systems offer light gaps of 19 mm per side.

ELEGANT CONTROL OPTIONS

Lutron® controls are designed to match the high-end look and feel of today's premier working and living spaces and are available in a wide variety of colours and finishes, including metals.

WIDE ARRAY OF FABRICS

Lutron shading systems are available in sheer, dim-out, and blackout fabrics to suit any function or aesthetic need, including many PVC-free fabric choices.

FLEXIBILITY AND PERFORMANCE

LIMITS AND PRESETS NEVER LOST

Limits and preset blind positions are electronically set and locked, providing power failure memory for up to 10 years. During this time, these limits and presets will never slip due to usage, electrostatic discharge, or power failure.

SYSTEM WARRANTY AND SUPPORT

Sivoia QED systems come with an 8-year limited warranty, plus optional extended service. Lutron has factory-employed field service engineers throughout the world and is the only lighting control or blind systems manufacturer in the world with a 24-hour, 7 days a week technical support center.



CONTROL

ULTRA-QUIET ELECTRONIC DRIVE

The Sivoia QED® system is low-voltage and operates at a near-silent level (rated at less than 44 dBA at 1 m). Blinds move smoothly and stop at preset positions with no audible clicks.

INTELLIGENT HEMBAR ALIGNMENT™

All blinds in a Sivoia QED system will track together and stop at programmable preset positions to within 3 mm. By utilising intelligent bottom bar alignment, roller 20™, roller 64™, roller 100™, and roller 225™ blind systems will move and track together, despite using different sized roller tubes.

BUILT-IN INFRARED CAPABILITY

All Sivoia QED systems ship from the factory with ready-to-receive infrared control signals via optional IR receivers at the drive or keypads.

TOTAL LIGHT CONTROL

Lutron lighting control systems integrate with Sivoia QED blinds, offering intuitive control of both electric light and daylight.

INSTALLATION

SIMPLE RECONFIGURATION

The Sivoia QED system can be easily reconfigured, limits can be changed, and presets can be reprogrammed without rewiring by using the remote, keypad, or electronic drive unit (EDU).

SIMPLIFIED WIRING

Sivoia QED shading systems do not require any group controllers, relays, or line-voltage wiring between electronic drive units. Wiring can be simplified by using an optional Sivoia QED power panel, allowing all system wiring to be run to one convenient location.

Lutron® has been the world's leading manufacturer of lighting controls and systems for more than 45 years. With the addition of shading solutions, Lutron has opened up a new world of possibilities by seamlessly integrating electric and daylight control with a focus on innovation, world-class engineering, and customer service. Lutron blends technology with design and environmental sensitivity to provide the ideal solution for total light control.

WORLDWIDE HEADQUARTERS

Lutron Electronics Co., Inc.
7200 Suter Road
Coopersburg, PA 18036-1299
USA
Toll-free: 1 888 LUTRON1
TEL: +1 610 282 3800
FAX: +1 610 282 1243
intsales@lutron.com

EUROPEAN HEADQUARTERS

Lutron EA Ltd.
6 Sovereign Close
London, E1W 3JF
UK
FREEPHONE: 0800 282 107
TEL: +44 (0)20 7702 0657
FAX: +44 (0)20 7480 6899
lutronlondon@lutron.com

INTERNATIONAL OFFICES

China: Beijing

TEL: +86 10 5877 1818

China: Hong Kong

TEL: +852 2104 7733

China: Shanghai

TEL: +86 21 6288 1473

Dubai

TEL: +971 4 299 1224

France: Paris

TEL: +33 1 56 52 93 01

Germany: Berlin

TEL: +49 (0)30 9710 4590

India: New Delhi

TEL: +91 11 4051 4300

Italy: Milan

FREEPHONE: 800 979 208

Japan: Minato-ku

TEL: +81 3 5575 8411

Singapore

TEL: +65 6220 4666

Spain: Barcelona

TEL: +34 93 496 57 42

Spain: Madrid

TEL: +34 91 567 84 79



www.lutron.com/europe

© 09/2009 Lutron Electronics Co., Inc. | Made and printed in the UK. | P/N 367-1455/EA