

PIEGA User Manual

PIEGA PS 1 / PS 2
Active-Subwoofer

PIEGA
S W I T Z E R L A N D

«Music. That's really the only important issue when it comes to loudspeakers...»

In our view, the superior loudspeaker is the one that does not interfere. One that adds no sound of its own. That accurately and naturally conveys what was played in the concert or recording studio. Since 1986 we have been working to perfect this ideal – with a pioneering spirit, inventiveness and exacting craftsmanship. You will now be able to hear for yourself how far we have succeeded.

By purchasing a loudspeaker from PIEGA you have expressed your trust in our company, for which we thank you very much. At the same time we assure you that you have purchased a product that is based on twenty years of R & D, and which in terms of its design represents the state of the art. We are sure that you will gain much listening enjoyment from your new Piega loudspeaker products.

Although using the loudspeakers is very straightforward, we recommend that you read the contents of this user manual carefully. It will explain how to properly connect up your new PIEGA loudspeaker products and install them for optimum results. It also provides you with some useful information that will increase your understanding of loudspeakers. But don't worry. Even apparently complicated details are explained very simply. On the last page of these instructions you will find our warranty conditions. Please also read these carefully just in case.

We wish you an enjoyable read and above all much listening enjoyment with your new PIEGA loudspeakers...!

Contents


This user manual describes how to connect the PIEGA active subwoofer to different loudspeaker configurations and the appropriate setting options for optimum operation in stereo and home cinema mode. It also contains instructions for unpacking and setting up the subwoofer.

Precautions	4
Unpacking	5
Positioning	6
Terminal Area	7
Setup Procedure	8
Setting the Sound Characteristics	11
Daily Use	12
Warranty	13

Precautions

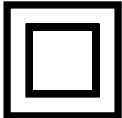

Please read this user manual carefully and pay special attention to the following precautions and warnings. In your own interest, we advise you to strictly observe the following procedure when installing your new PIEGA subwoofer.

WARNING: TO REDUCE THE RISK OF FIRE OR ELECTRIC SHOCK DO NOT EXPOSE THIS APPLICATE TO RAIN OR MOISTURE




CAUTION
RISK OF ELECTRIC SHOCK
DO NOT OPEN

AVIS: RISQUE DE CHOC ELECTRIQUE-NE PAS OUVRIR
DOUBLE INSULATION WHEN SERVICING USE ONLY IDENTICAL REPLACEMENT PARTS




CONFORMS TO
UL STD. 6500

CERTIFIED TO
CAN/CSA STD. E60065



2001310



Safety Precautions / Warnings:

The PIEGA subwoofers have been designed for use with PIEGA loudspeaker products. Nevertheless, the subwoofer can also be operated with the loudspeakers of other suppliers.

Ensure particularly that the subwoofer is installed and connected in accordance with the instructions of this user manual.

The PS 1 / PS 2 was only designed for use in dry residential environments within a temperature range of 10...40°C

To reduce the risk of electronic shock, do not remove cover (or back). No user-serviceable parts inside. Refer servicing to qualified service personnel.

To completely disconnect this product from the mains, disconnect the plug from the wall socket outlet. When setting up this product, make sure that the AC outlet you are using is easily accessible.

A note about Recycling:

This product packaging materials are recyclable and can be reused. Please dispose of any materials in accordance with the local recycling regulations. When discarding the unit, comply with local rules or regulations.

Unpacking

Special care was taken in the packaging of your subwoofer in order to ensure that this new PIEGA quality product reaches your living room safely and undamaged. In order to avoid any damage when unpacking the loudspeaker, follow closely the instructions below.

Procedure:

Before unpacking, remove any jewelry such as watches, rings, bracelets etc. in order to avoid scratching the aluminum



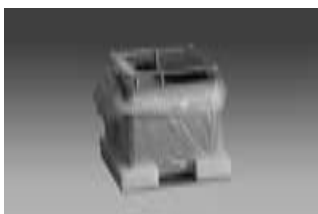
- 1 Open the carton as shown in the figure, leave the protective cushion



- 2 Carefully invert the subwoofer 180° with the carton open and stand it on the protective cushion so that the carton can be lifted up and off the loudspeaker



- 3 Remove the upper protective cushion and the cable which is packed in the protective cushion



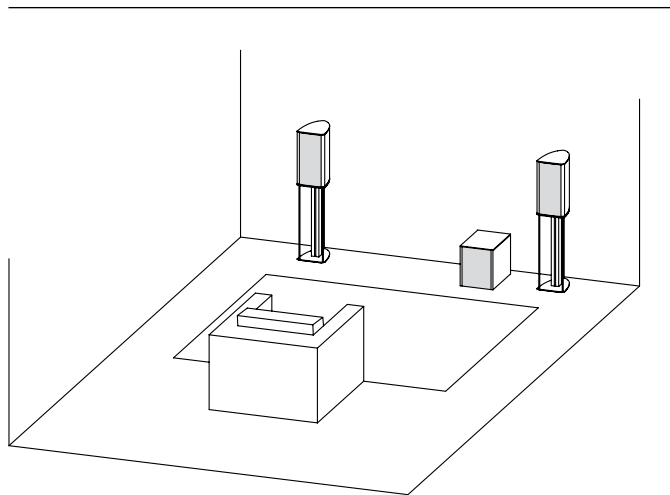
- 4 Remove the protective foil and check that the subwoofer has not been damaged in transit



- 5 Then place the subwoofer in the required position

Positioning

The subwoofer can be installed flexibly and easily. Due to its relatively small size, it can be integrated in any unit and can be positioned as required virtually anywhere in the room. However, to ensure the most natural sound, the subwoofer should be placed on the floor near the two front loudspeakers.



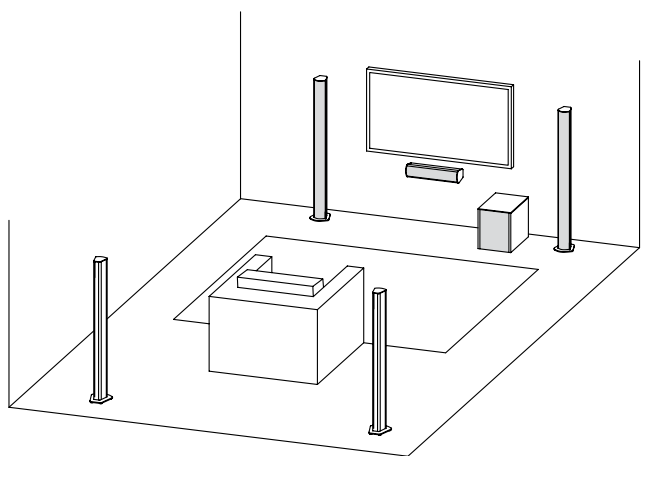
Ideal setup

For both surround and stereo mode, position the subwoofer as close to the two front loudspeakers as possible.

The connecting terminal of the PS 1 / PS 2 should face the wall.

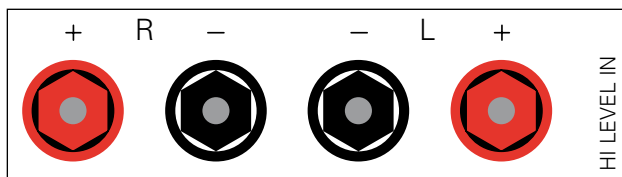
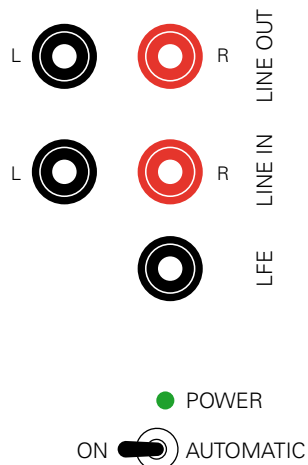
Do not in any way prevent the free movement of the subwoofers.

To avoid any possible accident, do not place any objects such as vases etc. on your PS 1 / PS 2.



Terminal area

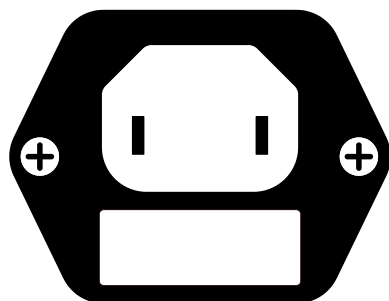
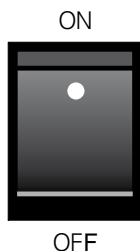
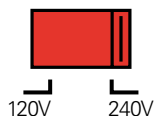
Its large range of connection options offers the subwoofer a wide number of configurations both for stereo and for surround mode. Refer to the appropriate user manual supplied for specific information on the loudspeakers used and components of your stereo or surround system.



POWERED SUBWOOFER



WARNING: SHOCK HAZARD DO NOT OPEN
AVIS: RISQUE DE CHOC ELECTRIQUE NE PAS OUVRIR



PIEGA
SWITZERLAND

240V ~ 50 Hz
Fuse type: T 1AL/250V
120V ~ 50Hz
Fuse type: T 2AL/250V
MAX 180WATTS

Note:

The connection terminal of the subwoofer allows a wide number of possible configuration options for stereo and surround mode

Depending on the equipment in use, select the appropriate configuration (see the following pages)

The LFE/IN, INPUT, OUTPUT terminals for connecting to the AV receiver or the stereo amplifier require connection cables with cinch plugs

The HIGH LEVEL INPUT terminals for connecting amplified music signals can be connected to loudspeaker cables with or without banana plugs

Connecting the supply cable:

Check whether the default switch position (240/120 V) of your subwoofer corresponds to the standard supply voltage in your country

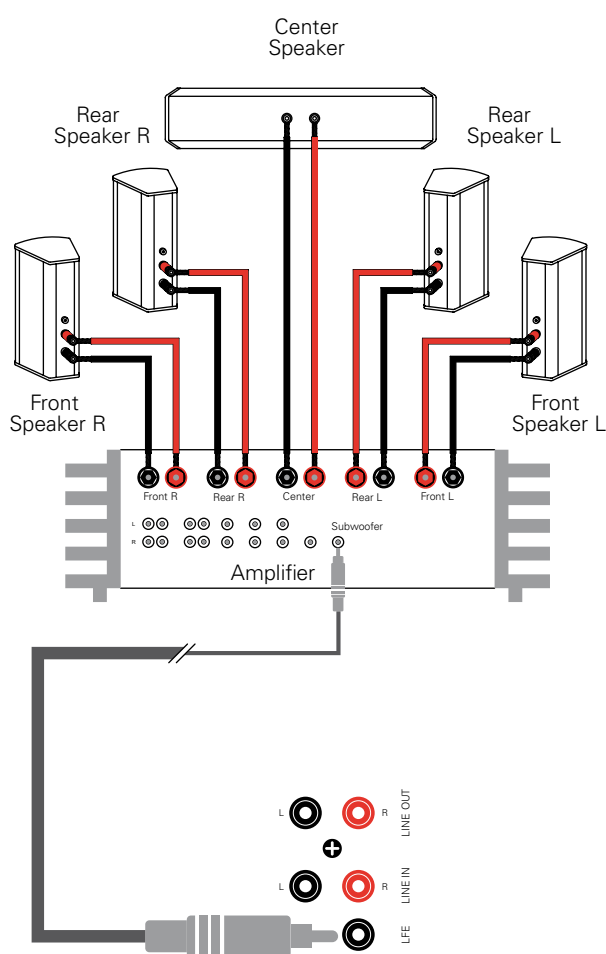
Plug the supply cable provided with the PS 1 / PS 2 into the appropriate socket

Do not switch on the subwoofer (POWER ON) until all cable connections have been made

Setup Procedure

This connection configuration for 5.1 surround applications uses an AV receiver with a separate subwoofer output. Since the AV receiver handles the bass management in this configuration, the settings for each loudspeaker can be adjusted individually via the menu. Note: in this case, the LOW PASS setting of the subwoofer has no effect. Refer to the user manual of your AV receiver for information on the individual setup controls.

Dolby Digital System – Surround-System with AV-Receiver



Connection:

Connect the subwoofer cable to the terminal marked SUBWOOFER (or similar) on the AV receiver

Connect the subwoofer cable to the terminal on the subwoofer marked LFE

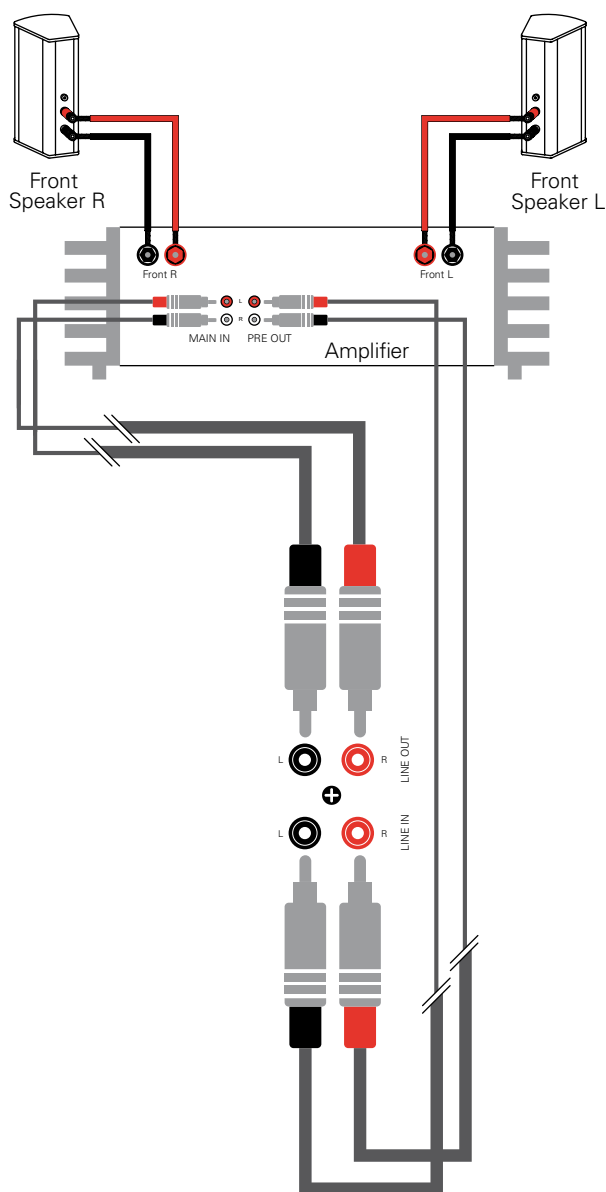
Please use a suitable connection cable with cinch plugs (not supplied with the PS 1 / PS 2)

Connect the front, rear and center loudspeakers using the loudspeaker terminals provided on your AV receiver

Setup Procedure

The power amplifiers of some manufacturers feature separate MAIN IN and PRE OUT terminals, allowing the preamplified signal to reach the subwoofer and to be looped back again filtered. In this way the loudspeakers are relieved in the deep range, thus gaining in precision and sound characteristics. Refer to the appropriate manual for information about operation and connection options for your power amplifier.

Stereo System and power amplifier with separate pre- and power sections



Connection:

Connect the subwoofer cable on the amplifier at the PRE OUT (or similar) terminal and at the LINE IN

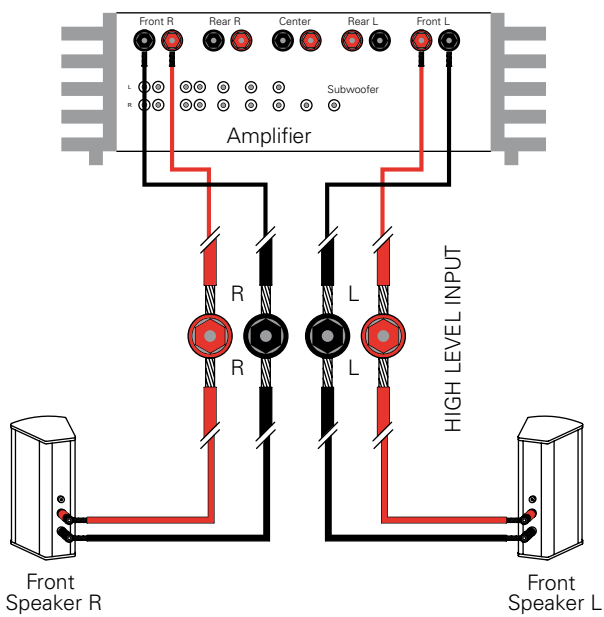
Connect the PS 1 / PS 2 on the amplifier at the MAIN IN (or similar) terminal and at the LINE OUT terminal on the subwoofer

For this setup, use two connection cables with cinch plugs (not supplied)

Setup Procedure

Commonly used configuration in stereo mode, loudspeakers to be connected parallel to the subwoofer (not recommended for Surround mode because of overcharge of small satellite speakers). In this configuration the PS 1 / PS 2 will be connected to the amplifier. Refer to the appropriate manual for information about operation and connection options for your stereo amplifier.

Stereo System with power amplifier



Connection:

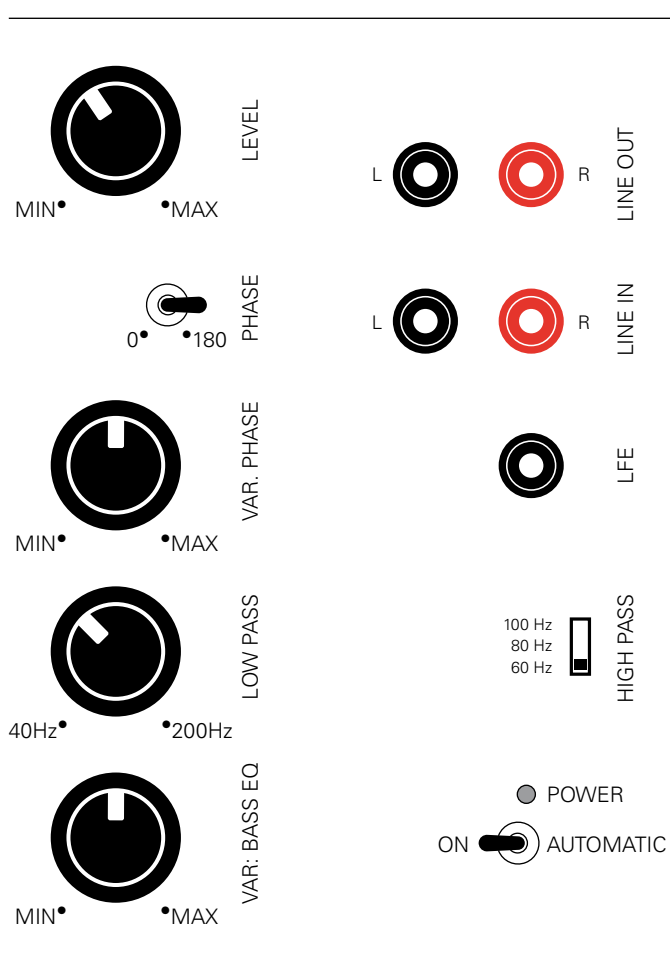
Connect the subwoofer on the amplifier at the SPEAKER (or similar) terminal

Connect the loudspeakers (parallel) to the SPEAKER (or similar) terminal

For this use equivalent loudspeaker cables (not supplied)

Settings of the Sound Characteristics

Thanks to the use of the most advanced active electronics, your new subwoofer is a cutting edge product in the field of subwoofers. The connection and setting options provided on the subwoofer allow the best possible connection to your stereo or surround sound system and can be adapted to your individual audio requirements.



HIGH PASS (PS 2 only)

The HIGH PASS switch enables you to activate a high pass filter for the LINE OUT outputs of the satellites. Select 60, 80 or 100 Hz depending on the size of the loudspeaker.

LEVEL

Use this knob to adjust the subwoofer volume

LED

The LED is off when the loudspeaker is switched off, and is red when it is in standby mode. During operation of the subwoofer the LED is green to indicate trouble-free operation

AUTOMATIC STANDBY

Use this switch to activate the standby function of the PS 1 / PS 2. This enables the subwoofer to switch on automatically as soon as a signal is received and to switch off when there is no more signal. When the AUTO POWER switch is in the ON position, the subwoofer stays permanently switched on. Factory setting: ON

LOW PASS

Use this knob to set the crossover frequency between subwoofer and full-range speaker according to the connection method used. This will relieve the satellite loudspeakers in the bass range. Factory setting: 80 – 100 Hz

PHASE

Use this switch to set the subwoofer to «In Phase» or «Out of Phase». Depending on the type of loudspeaker, at setting «0» there will be a phase cancelling (little bass) or a phase correction (normal bass) Factory setting: 0

VAR. BASS-EQ. – SOUND CHARACTERISTIC

Use this knob to change the sound of the subwoofer from «dry, sharp, crisp» to «warm, soft and well-rounded»

Daily Use

From development to production, right down to quality testing, PIEGA only uses materials and components of the highest quality. The Top of your new subwoofer has a polished aluminum surface. As this material is very sensitive, it should be treated with care.

PS 1



Procedure:

Clean the surface of the subwoofer with a soft, fluff-free cloth

Never use alcohol or other cleaning agents to clean your PIEGA subwoofer

If necessary, use a damp cloth with a solution of lukewarm water and a few drops of washing up liquid

PS 2



Warranty Conditions

The warranty is limited to six years on our loudspeakers and three years on our electronics in accordance with the conditions stated below. Read through the service and warranty conditions carefully, especially the warnings concerning the purchase of PIEGA loudspeakers from unauthorized dealers.

Warranty conditions

1. Every Piega device leaves the factory in perfect condition. If any manufacturing and/or material defects are found during normal use of the device, we warrant to repair the device with free parts and labor during the first six years from the date of purchase.
2. The registration card for the device must be sent to Piega within six weeks after purchase or registered via the Internet via www.piega.ch/en/service/warranty.htm.
3. The product must have been purchased at an authorized Piega dealer.
4. The warranty will not be applicable if any repair is carried out by a person or a workshop that is not authorized by Piega.
5. If it is necessary for a device or part of it to be sent to Piega or an approved Piega workshop, the sender is responsible for paying all transport costs in advance. The original packaging must be used for sending the complete device.
6. The warranty will not be applicable if the serial number of the device has been modified, removed or made illegible. It will also not apply if the device is not connected properly or not treated with due care. The warranty will also not be applicable if the device was modified or repaired in any way that in our view has altered the correct functioning of the device.
7. Piega shall not be liable for the consequences of any damage.

PIEGA Loudspeaker products from unauthorized dealers

The official PIEGA warranty becomes invalid if a PIEGA loudspeaker product was purchased from an unauthorized dealer and is therefore a gray market product, or if the original serial number has been intentionally removed, replaced or made illegible. Should you have any doubt that the dealer you have selected is an officially authorized PIEGA dealer, we recommend that you contact us or the PIEGA sales organization in your country without fail. Please note the PIEGA sales policy statement at www.piega.ch/en/service/garantie.htm

PIEGA SA
Bahnhofstrasse 29
CH-8810 Horgen
Telephone +41 44 725 90 42
Fax +41 44 725 91 92
mail@piega.ch
www.piega.ch

Information for Exports

PIEGA SA
Bahnhofstrasse 29
CH-8810 Horgen
Telephone +41 44 725 90 02
Fax +41 44 725 91 92
mail@piega.ch
www.piega.ch

Published Summer 2008
Subject to modifications, in particular
technical modifications and errors